

## TANKO® ORS



The TANKO® ORS **optical rotation sensor** is used for non-contact monitoring of the rotational movement of spate cleaners in process engineering systems.

The sensor is mounted on the top of the tank, near to the inlet of the spate cleaner, using a sight glass, and integrated into the existing PLC control system. The sensor reliably detects whether rotation is occurring, is faulty, or whether the cleaner is at a standstill.

It features an optical indicator light integrated into the housing, which provides visible status feedback to operators and maintenance personnel at the plant.

Thanks to its rugged housing, the sensor is particularly well-suited for hygienic and chemically demanding applications.

It is mounted on a sight glass.

### Operating Principle:

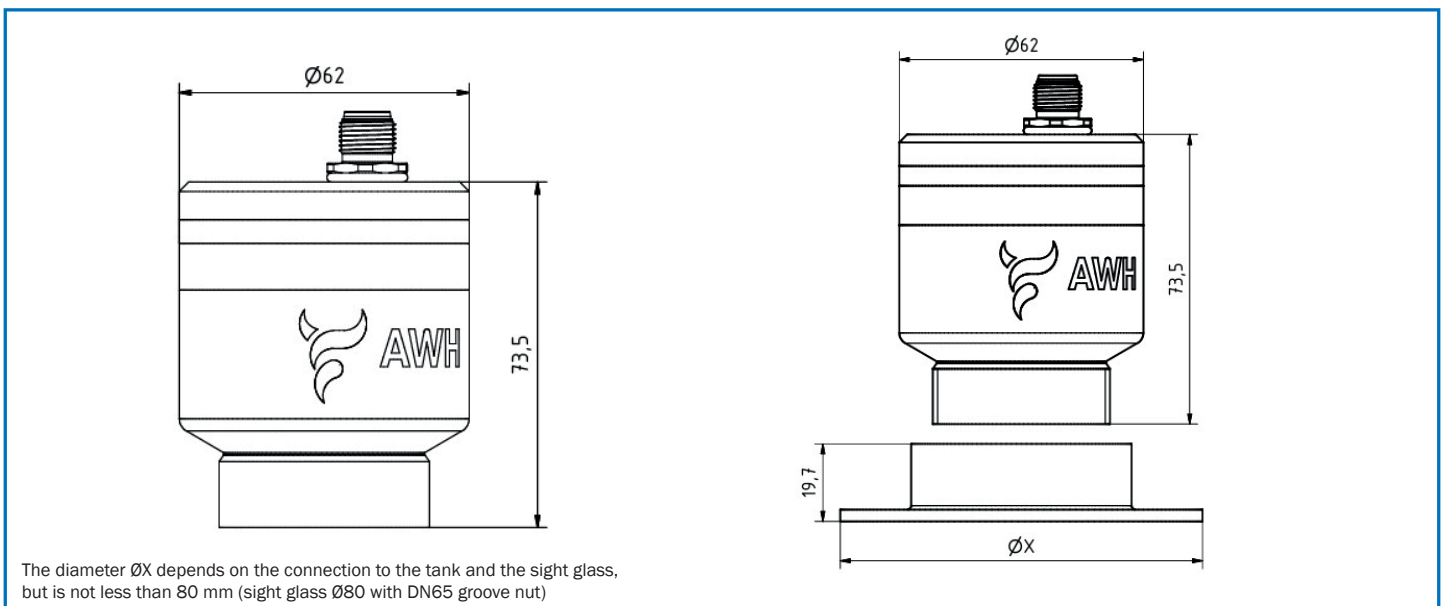
The sensor operates on an optical measurement principle and detects the rotation or the water jet emitted by the spate cleaner through the sight glass. The signal is processed internally, and the result is output via separate PNP switching outputs.

The dimensions listed are in mm and are nominal dimensions.

## Technical Parameters

<b>Materials:</b>	CPE; EPDM (optional FKM and FFKM)
<b>Process connection:</b>	depends on the sight glass used
<b>Operating temperature:</b>	90 °C, 140 °C for 1 hour
<b>Ambient temperature:</b>	60 °C
<b>Vessel pressure:</b>	depends on the sight glass used
<b>Protection class:</b>	IP66
<b>Weight:</b>	approx. 0.6kg
<b>Supply voltage:</b>	24 V DC
<b>Output signal:</b>	PNP
<b>Electrical connection:</b>	M12 connector (4-pin)
<b>Consumption per output:</b>	max. 50 mA
<b>Power consumption:</b>	max. 200 mA
<b>Signal outputs:</b>	Rotation OK / Rotation not OK / Idle-Modus

## Dimensions



The diameter ØX depends on the connection to the tank and the sight glass, but is not less than 80 mm (sight glass Ø80 with DN65 groove nut)

# TANKO® ORS

## Ordering Information

### TANKO® ORS

Article no.	Description	Sealing material for O-rings	Price/EUR
66Z 000 100 ES0	TANKO® ORS sensor device	EPDM	850.00

## Accessories

### Accessories

Article no.	Description	Material	Price/EUR
	Adapter - depending on the tank connection and the sight glass	CPE	*
66Z 000 020 E00	O-ring set TANKO® ORS	EPDM	17.00
66Z 000 020 V00	O-ring set TANKO® ORS	FKM	20.00
66Z 000 020 F00	O-ring set TANKO® ORS	FFKM	275.00