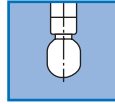


TANKO® MX125



360°

The design-protected TANKO® MX125 is a media-powered jet cleaner with constant rotation.

The device is used in a wide range of industrial applications where vessels and tanks need to be power-cleaned. The compact design of the TANKO® MX125 allows it to be deployed in the vessel through openings with a minimum diameter of 125 mm.

The 360° spray pattern cleaning is based on 4 nozzles. The device has plain bearings and epicyclic gearing. It has been designed to produce the best cleaning results. It is self-cleaning, high-impact and still has impressively low consumption figures.

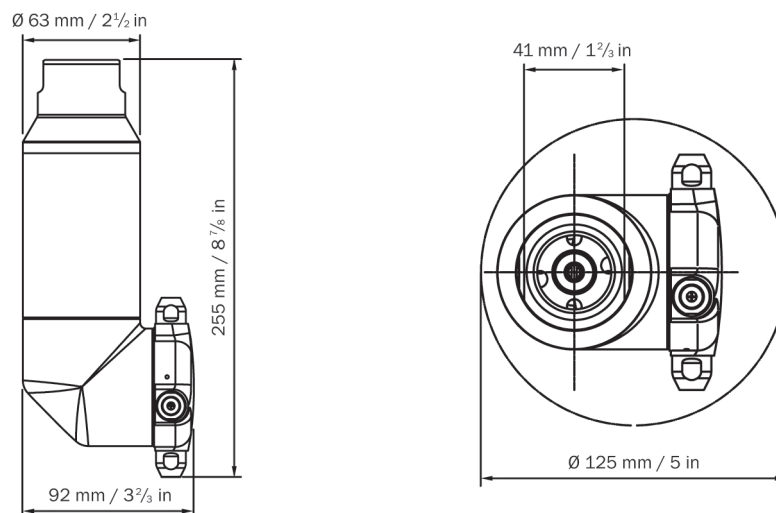
All consumption specifications are for orientation only.
The dimensions listed are in mm and are nominal dimensions.

Technical Parameters

Spray angle:	360° orbital
Materials:	1.4404 (316L), 1.4401 (316), C-PTFE, PEEK+PTFE (FDA-compliant)
Connections:	1" BSP or NPT female thread
Operating pressure:	Cleaning medium: 3 - 8 bar/43.5 - 116 psi
Working temperature:	Cleaning medium: max. 95°C / 203°F
Volume flow rate:	5.2 - 9.3 m³/h / 87 - 155 l/min / 23 - 41 gpm (US) *
Rotation speed (RPM):	approx. 5 - 14 rpm *
Range:	Cleaning radius: max. 4 m / 13.12 ft Wetting radius: max. 5 m / 16.4 ft
Weight:	3.2 kg
Installation position:	vertically suspended (other positions possible with reduced service life of the wearing parts)
Min. installation opening:	Ø 125 mm / 5 in
Bearing:	plain bearing

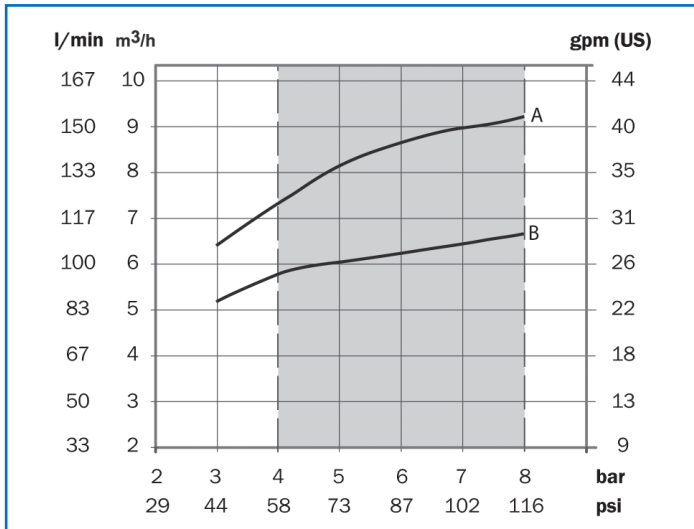
* Depending on model and cleaning medium

Dimensions



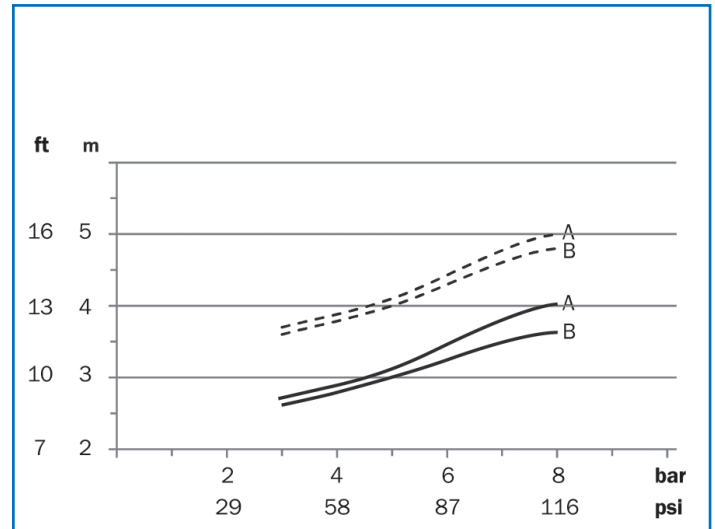
TANKO® MX125

Consumption Data and Throw Length Data



A - 4 x Ø 6 mm
B - 4 x Ø 5 mm

X1 - recommended operating pressure



A - Ø 6 mm
B - Ø 5 mm

--- Wetting radius

— Cleaning radius

Ordering Information

TANKO® MX125

Article No.	Connection	Description	Nozzles	Price/EUR
66M A40 3NG RA20	1" BSP (female thread)	TANKO-MX125-G14	4 x Ø 5 mm	2,100.00
66M A40 3NG SA20	1" BSP (female thread)	TANKO-MX125-G14	4 x Ø 6 mm	2,100.00
66M A40 4NG RA20	1" NPT (female thread)	TANKO-MX125-G14	4 x Ø 5 mm	2,100.00
66M A40 4NG SA20	1" NPT (female thread)	TANKO-MX125-G14	4 x Ø 6 mm	2,100.00

Spare Parts and Services

Spare Parts

Article No.	Description	Price/EUR
66M A00 OVG 0000	Wear parts package	242.00

Material Certificates

Description	Net price/EUR
WAZ 3.1 - EN10204 - TANKO® MX	125.00