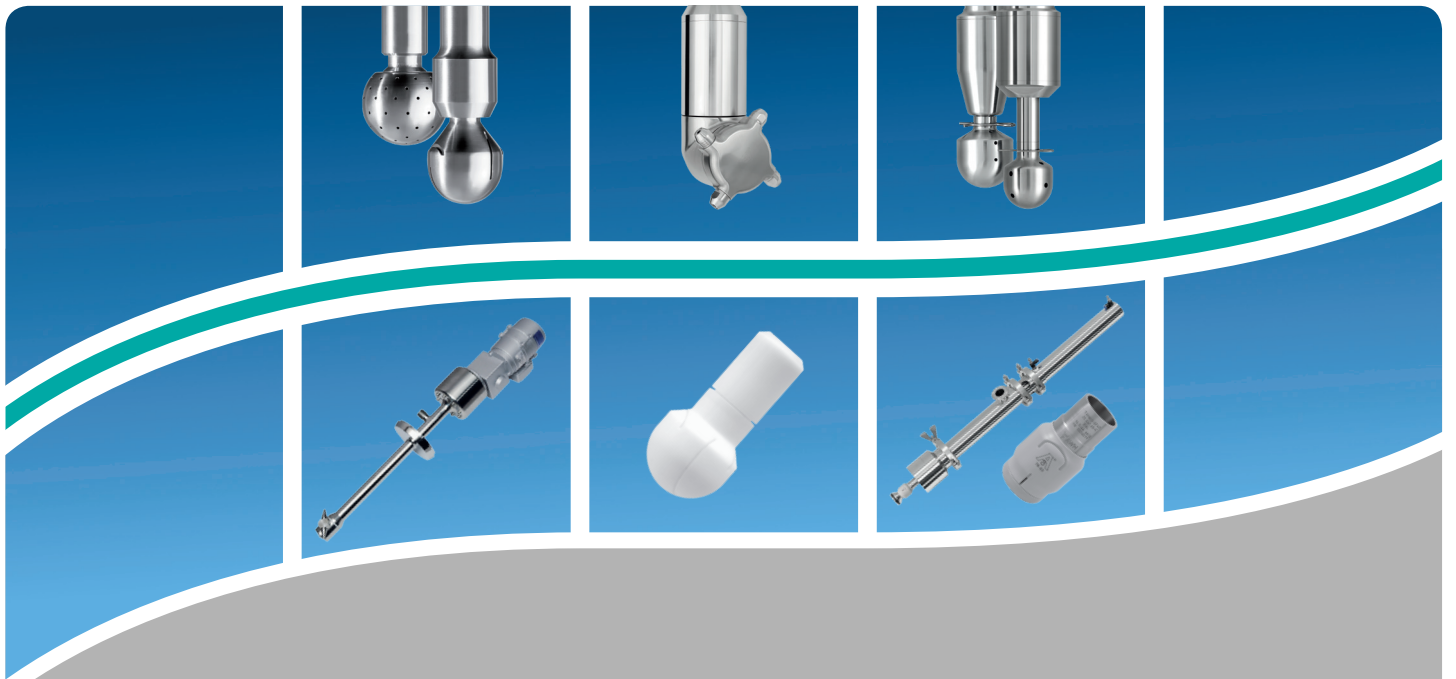


Cleaning Technology



AWH Cleaning Technology Contents

Table of Contents

	Page
AWH Cleaning Technology Contents	3
Overview	4
Notes and Questions on the Selection of Cleaning Devices	5
Downpipe for CIP Cleaning	7
TANKO® MX125	8
TANKO® MX150	10
TANKO® JM100	12
TANKO® JM500	14
TANKO® JM800	16
TANKO® JX70	18
TANKO® JX75	20
TANKO® CP2S	22
TANKO® CP3	24
TANKO® S	26
TANKO® CR40	48
TANKO® SF40	53
TANKO® RPB35	57
TANKO® RB	61
Static Spray Heads	74
TANKO® RT and TANKO® RTS	82
TANKO® RTP and TANKO® RTPS	94
TANKO® RTF	104
TANKO® RF	108
TANKO® AN	112
TANKO® R64T	116
Tank Cleaning Trolley JM-C1	119
CIPGuard® (TCG-ZR)	120
Pliers	122
Conversion Tables	123

* An asterisk in the pricing column means: on request

Spray Heads for every Application - high efficiency Cleaning for Tanks, Vessels and Containers

In addition to cleanliness, economic issues are assuming greater importance these days. The operating costs are increasingly a subject of discussion.

The main issues in vessel cleaning are:

- Reducing the amount of cleaning mediums
- Reducing the cleaning time
- Increasing plant availability
- Increasing operational safety
- The ability to validate the cleaning process via sensors

These days, a cleaning device is selected according to the application or task and not the technology that is currently available. The best possible vessel cleaning solution varies with the vessel geometry and the specific task. It is also essential to consider any possible spray shadows caused by internal fittings, connections and manholes.

AWH GmbH has a product range with a diverse spectrum of products and the necessary application knowledge for this.

Jet cleaner, medium driven:

- TANKO® MX
- TANKO® JM
- TANKO® CP

Jet cleaner, externally powered:

- TANKO® JX

Other cleaning devices:

- TANKO® S
- TANKO® CR
- TANKO® SF
- TANKO® RPB35
- TANKO® RB
- Static spray heads
- TANKO® RT / TANKO® RTS / TANKO® RTF
- TANKO® RTP/ TANKO® RTPS
- TANKO® RF
- TANKO® R64T

Cleaning technology, auxiliary products:

- CIPGuard® TCG-ZR monitoring unit for jet cleaner monitoring
- TANKO® AN weldon nipple with rotating outlet lip
- Tank cleaning trolley JM-C1
- Assembly tools
- Downpipe concept for installing the cleaning devices in the tank

The product range is under continuous further development. Please ask about new variants or changes. The illustrations in this catalog are for basic understanding and are primarily representations of the principles involved. They may deviate from the actual design of the device. We can provide various attestations for the cleaning devices if required. The surface roughness of the materials used is $Ra \leq 0.8 \mu\text{m}$. Others are available on request. If necessary, please additionally specify this requirement in your product query.

The following documents make it easier to select the most suitable cleaning device:

- The project information sheet
- The downpipe questionnaire

Filter:

The recommended gap width of the cleaning medium filter system is $50 \mu\text{m}$.
(depending on the application)

Machinery Directive 2006/42/EC:

Unless otherwise specified, Armaturenwerk Hötenleben GmbH assumes a user language of "German" or "English". The purchaser/customer must notify Armaturenwerk Hötenleben GmbH of any other application language used. Armaturenwerk Hötenleben GmbH will then check the offer and make any necessary enhancements. The intended use of the device must be ensured before commissioning of the AWH cleaning devices (the products in this catalog) at the latest.

The dimensions listed in the catalog are in mm and are nominal dimensions.

Notes and Questions on the Selection of Cleaning Devices

AWH Project Information Sheet (Page 1/2)

Customer details	Name:
	Company:
	Company address:
	Tel.:
	Fax:
	E-mail:
	Date:

Required CIP Result	<input type="checkbox"/> Full cleaning: <input type="checkbox"/> Flushing: <input type="checkbox"/> Product recovery: <input type="checkbox"/> Sterilization:
	Other, please specify

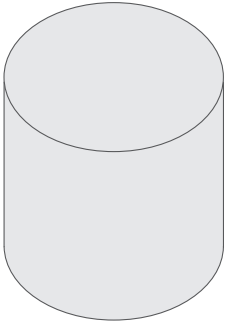
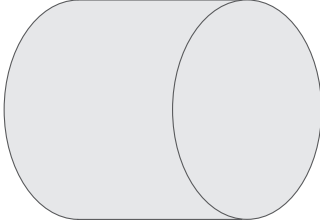
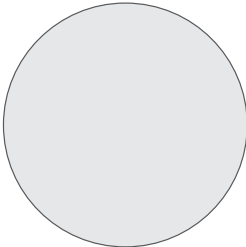
Required CIP Optimization	<input type="checkbox"/> Minimize CIP time <input type="checkbox"/> Minimize water consumption <input type="checkbox"/> Minimize waste water
	Other, please specify

Product Properties	Please specify the product properties. Examples: easily soluble, very sticky, corrosive (acidic/alkaline), viscous, poisonous, explosive, expensive, required cleaning time:
---------------------------	--

CIP Liquid and CIP Cycle	Please specify the CIP liquid(s) used during the CIP cycle:	
	Are the liquids fed into the circulation?	<input type="checkbox"/> Yes <input type="checkbox"/> No
	If yes, are they filtered before being used in the vessel cleaning device?	<input type="checkbox"/> Yes <input type="checkbox"/> No
	If yes, what is the filter particle size?	µm
	Is the pressure drop/pressure loss of the filter known?	<input type="checkbox"/> Yes <input type="checkbox"/> No

CIP Liquid and CIP Cycle	How often does the cleaning cycle take place? For example: once a day, once a week etc. ...				
	Please specify the intended CIP cycle				
	Washing	Step	Time	Chemicals	Temperature
	Pre-rinsing				
	Main wash				
	Flushing				
	Disinfection				
Other					

Required CIP Result	What is the flow rate (m ³ /min) at the cleaning head?
	What is the pressure (bar) at the cleaning head?

Required CIP Optimization	<input type="checkbox"/> Obstructive contours: <input type="checkbox"/> Stirrers/mixers: <input type="checkbox"/> Scrapers: <input type="checkbox"/> Vessel heating: <input type="checkbox"/> Internal pipelines: <input type="checkbox"/> Other:	  <p style="text-align: center;">CIP inlets and equipment:</p>
	Where necessary, please illustrate: <input type="checkbox"/> H (height): <input type="checkbox"/> L (length): <input type="checkbox"/> D (diameter): <input type="checkbox"/> IR (internal radius):	 <p>Note: Where possible, please specify all relevant information in the drawing.</p>

Downpipe for CIP Cleaning

1. Select the Cleaning Device

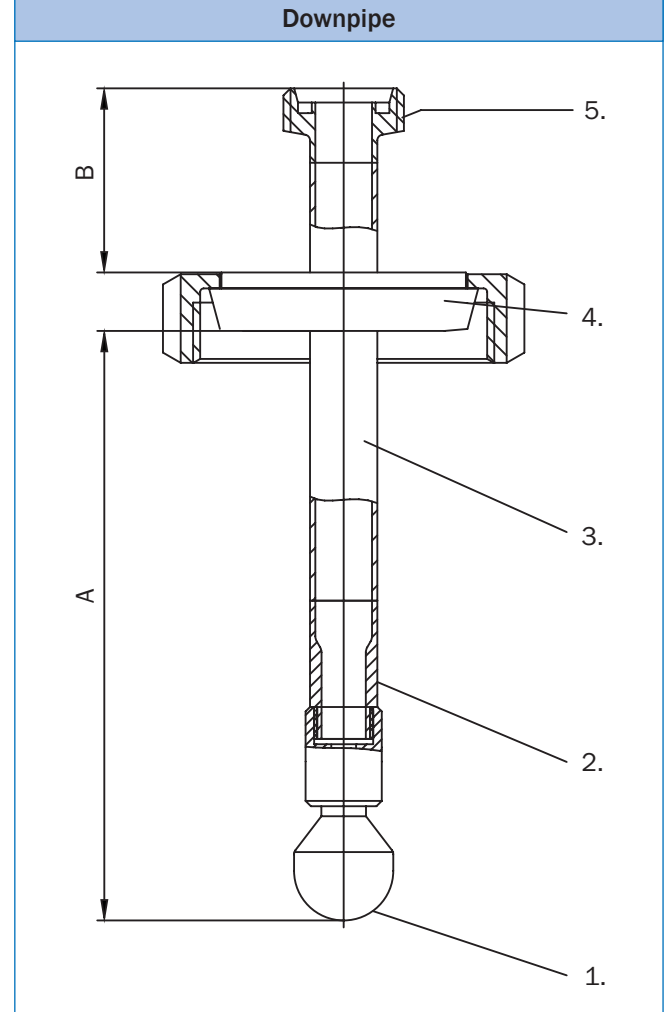
TANKO® S	10 <input type="checkbox"/>	20 <input type="checkbox"/>	30 <input type="checkbox"/>	40 <input type="checkbox"/>	50 <input type="checkbox"/>
TANKO® RB	30 <input type="checkbox"/>	40 <input type="checkbox"/>	64 <input type="checkbox"/>	90 <input type="checkbox"/>	
TANKO® CR	40 <input type="checkbox"/>				
TANKO® MX	125 <input type="checkbox"/>	150 <input type="checkbox"/>			
TANKO® JM	100 <input type="checkbox"/>	500 <input type="checkbox"/>	800 <input type="checkbox"/>		
TANKO® CP	2S <input type="checkbox"/>	3 <input type="checkbox"/>			
Static spray head	24 <input type="checkbox"/>	30 <input type="checkbox"/>	40 <input type="checkbox"/>	64 <input type="checkbox"/>	90 <input type="checkbox"/>

2. Weldon Nipple (for thread version from 1.)

1/8" <input type="checkbox"/>	3/4" <input type="checkbox"/>	
1/4" <input type="checkbox"/>	1" <input type="checkbox"/>	BSP <input type="checkbox"/>
3/8" <input type="checkbox"/>	1 1/2" <input type="checkbox"/>	NPSM <input type="checkbox"/>
1/2" <input type="checkbox"/>		
M5 <input type="checkbox"/>		

3. Pipe (the DN pipe is derived from 2.)

DN <input type="text"/>	Length B <input type="text"/>	Length A <input type="text"/>
DIN 11866	Series A (DIN) <input type="checkbox"/>	H3 <input checked="" type="checkbox"/>
DIN 11866	Series B (ISO) <input type="checkbox"/>	H3 <input checked="" type="checkbox"/>
DIN 11866	Series C (ASME) <input type="checkbox"/>	H3 <input checked="" type="checkbox"/>
DIN EN 10357	Series A <input type="checkbox"/>	
DIN EN 10357	Series B <input type="checkbox"/>	



4. Process Connection

DN <input type="text"/>	ISO <input type="text"/>	PN <input type="text"/> (e.g. 10 bar)
DIN 11851	Liner <input type="checkbox"/>	
DIN 11864 Part.1	Liner <input type="checkbox"/>	
DIN 11864 Part.2	Form A <input type="checkbox"/>	Nut flange <input type="checkbox"/>
DIN 11864 Part.3	Form A <input type="checkbox"/>	Clamp nut <input type="checkbox"/>
		Liner flange <input type="checkbox"/>
		Clamp liner <input type="checkbox"/>

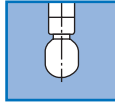
5. Select the Medium Connection

DN <input type="text"/>	ISO <input type="text"/>	PN <input type="text"/> (e.g. 10 bar)
DIN 11851	<input type="checkbox"/>	Male <input type="checkbox"/>
DIN 11864 Part.1	Form A <input type="checkbox"/>	Male <input type="checkbox"/>
DIN 11864 Part.2	Form A <input type="checkbox"/>	Nut flange <input type="checkbox"/>
DIN 11864 Part.3	Form A <input type="checkbox"/>	Clamp nut <input type="checkbox"/>
		Liner <input type="checkbox"/>
		Liner <input type="checkbox"/>
		Liner flange <input type="checkbox"/>
		Clamp liner <input type="checkbox"/>

6. Special Wishes

e.g. special surface treatment, certificates, measurement reports (standard external Ra ≤ 0.8 µm)

TANKO® MX125



360°

The design-protected TANKO® MX125 is a media-powered jet cleaner with constant rotation.

The device is used in a wide range of industrial applications where vessels and tanks need to be power-cleaned. The compact design of the TANKO® MX125 allows it to be deployed in the vessel through openings with a minimum diameter of 125 mm.

The 360° spray pattern cleaning is based on 4 nozzles. The device has plain bearings and epicyclic gearing. It has been designed to produce the best cleaning results. It is self-cleaning, high-impact and still has impressively low consumption.

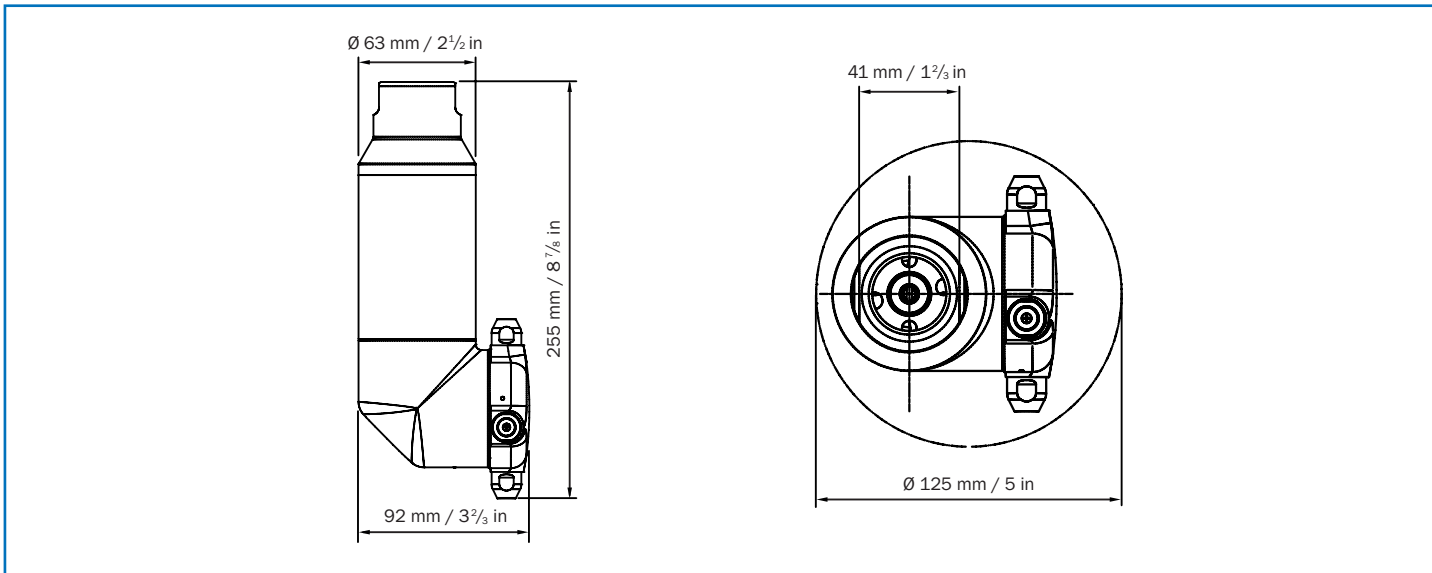
All consumption specifications are for orientation only.
The dimensions listed are in mm and are nominal dimensions.

Technical Parameters

Spray angle:	360° orbital
Materials:	1.4404 (316L), 1.4401 (316), C-PTFE, PEEK+PTFE (FDA-compliant)
Connections:	1" BSP or NPT female thread
Operating pressure:	Cleaning medium: 3 - 8 bar/43.5 - 116 psi
Working temperature:	Cleaning medium: max. 95° C / 203° F
Volume flow rate:	5.3 - 9.8 m³/h / 88 - 163 l/min / 23 - 43 gpm (US) *
Rotation speed (RPM):	approx. 5 - 14 rpm*
Range:	Cleaning radius: max. 4 m / 13.12 ft Wetting radius: max. 5 m / 16.4 ft
Weight:	3.2 kg
Installation position:	vertically suspended (other positions possible with reduced service life of the wearing parts)
Min. installation opening:	Ø 125 mm / 5 in
Bearing:	plain bearing

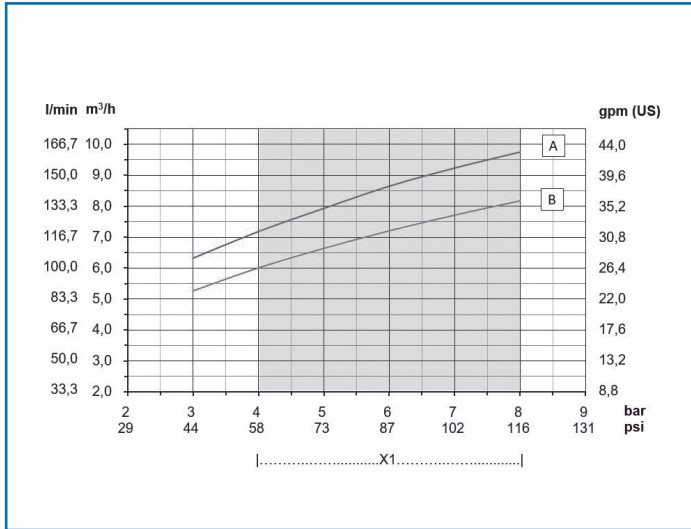
*Depending on model and cleaning medium

Dimensions



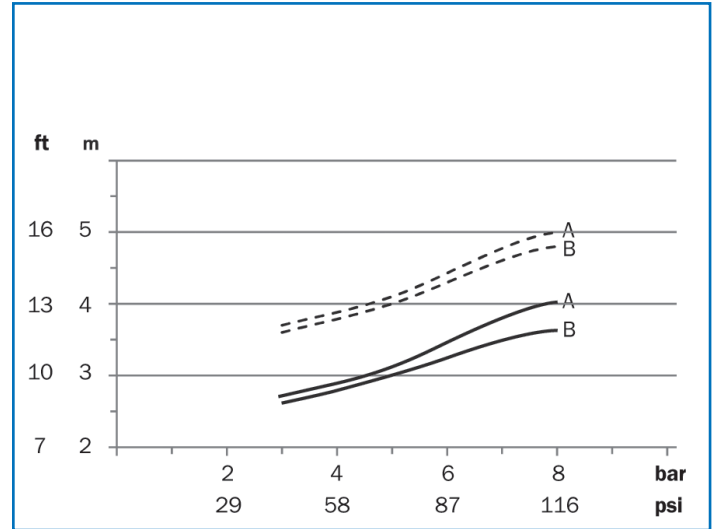
TANKO® MX125

Consumption Data and Throw Length Data



A – 4 x Ø 6 mm
B – 4 x Ø 5 mm

X1 – recommended operating pressure



A – Ø 6 mm
B – Ø 5 mm

— Wetting radius - - Cleaning radius

Ordering Information

TANKO® MX125

Article no.	Connection	Description	Nozzles	Price/EUR
66M A40 3NG RA20	1" BSP (female thread)	TANKO-MX125-G14	4 x Ø 5 mm	2.100,00
66M A40 3NG SA20	1" BSP (female thread)	TANKO-MX125-G14	4 x Ø 6 mm	2.100,00
66M A40 4NG RA20	1" NPT (female thread)	TANKO-MX125-G14	4 x Ø 5 mm	2.100,00
66M A40 4NG SA20	1" NPT (female thread)	TANKO-MX125-G14	4 x Ø 6 mm	2.100,00

Spare Parts and Services

Spare Parts

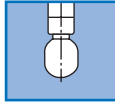
Price is not valid! Refer to spare parts catalog

Article no.	Description	Price/EUR
66M A00 OVG 0000	Wear parts package	242,00

Material Certificates

Description	Net price/EUR
WAZ 3.1 - EN10204 - TANKO® MX	125,00

TANKO® MX150



360°

The design-protected TANKO® MX150 is a media-powered jet cleaner with constant rotation.

The device is used in a wide range of industrial applications where vessels and tanks need to be power-cleaned. Due to the compact design of the unit, the TANKO® MX150-G14 (4-nozzle) can be introduced into the tank through openings with a minimum diameter of 150 mm and the TANKO® MX150-G12 (2-nozzle) through openings with a minimum diameter of 115 mm.

The 360° spray pattern cleaning is based on 4 or 2 nozzles. The device has plain bearings and epicyclic gearing. It has been designed to produce the best cleaning results. It is self-cleaning, high-impact and still has impressively low consumption figures.

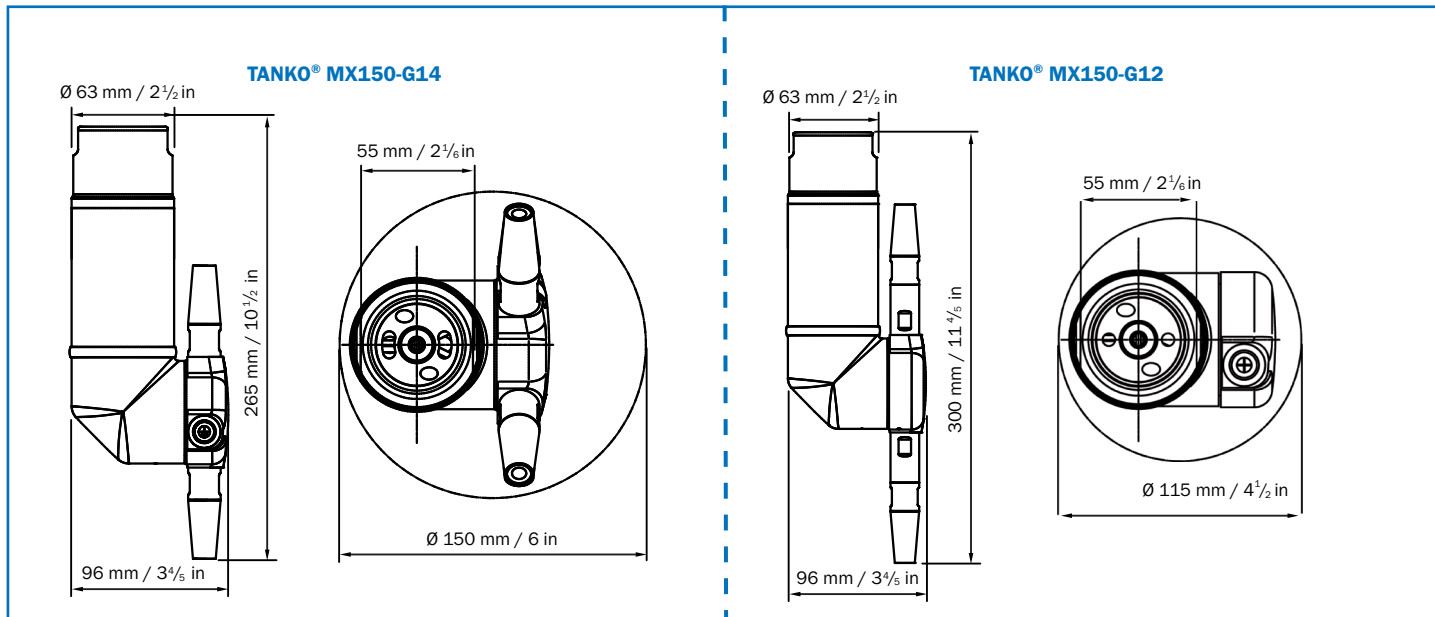
All consumption specifications are for orientation only.
The dimensions listed are in mm and are nominal dimensions.

Technical Parameters

Spray angle:	360° orbital
Materials:	1.4404 (316L), 1.4401 (316), C-PTFE, PEEK+PTFE (FDA-compliant)
Connections:	1 ½" BSP or NPT female thread
Operating pressure:	Cleaning medium: 3 - 8 bar/43.5 - 116 psi
Working temperature:	Cleaning medium: max. 95°C / 203°F
Volume flow rate:	MX150-G14: 10.5 - 20.5 m³/h / 175 - 342 l/min / 46 - 90 gpm (US)* MX150-G12: 5.8 - 11.6 m³/h / 97 - 193 l/min / 26 - 51 gpm (US)*
Rotation speed (RPM):	approx. 5 - 14 rpm*
Range:	Cleaning radius: MX150-G14: max. 7.5 m / 24.61 ft, MX150-G12: max. 7.8 m / 25.59 ft Wetting radius: MX150-G14: max. 10.5 m / 34.45 ft, MX150-G12: max. 9.8 m / 32.15 ft
Weight:	MX150-G14: 3.6 kg, MX150-G12: 3.5 kg
Installation position:	vertically suspended (other positions possible with reduced service life of the wearing parts)
Min. installation opening:	MX150-G14: Ø 150 mm / 6 in, MX150-G12: Ø 115 mm / 4½ in
Bearing:	plain bearing

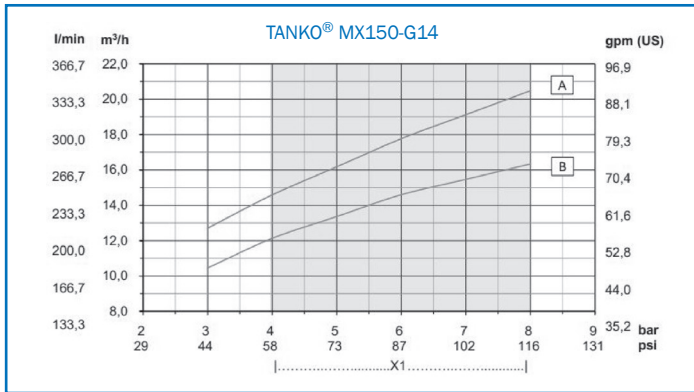
*Depending on model and cleaning medium

Dimensions

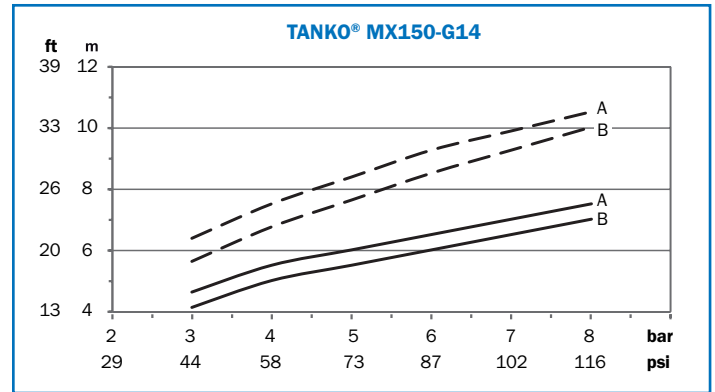


TANKO® MX150

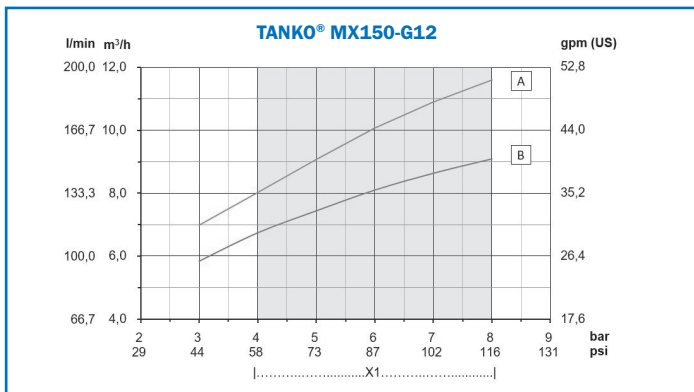
Consumption Data and Throw Length Data



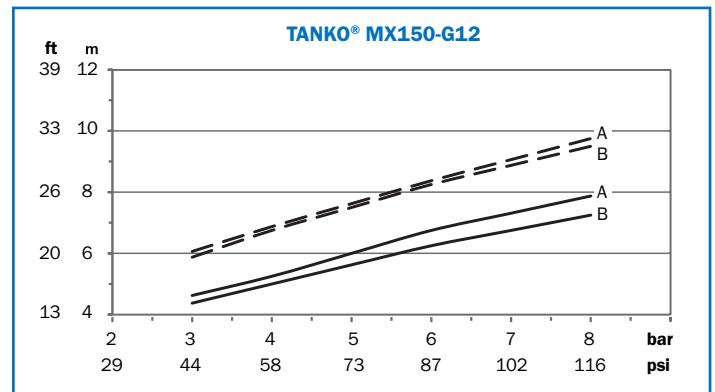
A - 4 x Ø 8 mm B - 4 x Ø 7 mm



A - 4 x Ø 8 mm B - 4 x Ø 7 mm



A - 2 x Ø 8 mm B - 2 x Ø 7 mm



A - 2 x Ø 8 mm B - 2 x Ø 7 mm

X1 - recommended operating pressure

— Wetting radius — Cleaning radius

Ordering Information

TANKO® MX150				
Article no.	Connection	Description	Nozzles	Price/EUR
66M B40 3NG TB20	1 ½" BSP (female thread)	TANKO-MX150-G14	4 x Ø 7 mm	2.300,00
66M B40 3NG UB20	1 ½" BSP (female thread)	TANKO-MX150-G14	4 x Ø 8 mm	2.300,00
66M B40 4NG TB20	1 ½" NPT (female thread)	TANKO-MX150-G14	4 x Ø 7 mm	2.300,00
66M B40 4NG UB20	1 ½" NPT (female thread)	TANKO-MX150-G14	4 x Ø 8 mm	2.300,00
66M B20 3NG TB20	1 ½" BSP (female thread)	TANKO-MX150-G12	2 x Ø 7 mm	2.300,00
66M B20 3NG UB20	1 ½" BSP (female thread)	TANKO-MX150-G12	2 x Ø 8 mm	2.300,00
66M B20 4NG TB20	1 ½" NPT (female thread)	TANKO-MX150-G12	2 x Ø 7 mm	2.300,00
66M B20 4NG UB20	1 ½" NPT (female thread)	TANKO-MX150-G12	2 x Ø 8 mm	2.300,00

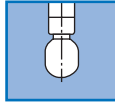
Spare Parts and Services

Spare Parts			Price is not valid! Refer to spare parts catalog
Article no.	Description	Price/EUR	
66M A00 OVG 0000	Wearing Parts Packages for TANKO® MX	242,00	

Material Certificates

Description	Net price/EUR
WAZ 3.1 - EN10204 - TANKO® MX	125,00

TANKO® JM100



360°

The TANKO® JM100 is a medium driven jet cleaner.

The device is used in a wide range of industrial applications where vessels and tanks need to be power-cleaned. The compact design of the TANKO® JM100 allows it to be deployed in the vessel through openings with a minimum diameter of 100 mm. 2 nozzle pairs provide cleaning with a 360° spray pattern.

The device has sturdy, externally mounted bevel gear unit. This makes it easy for the user to check the condition of the bevel gears and clean them if necessary. It has been designed to produce the best cleaning results. It is self-cleaning, high-impact and still has impressively low consumption figures.

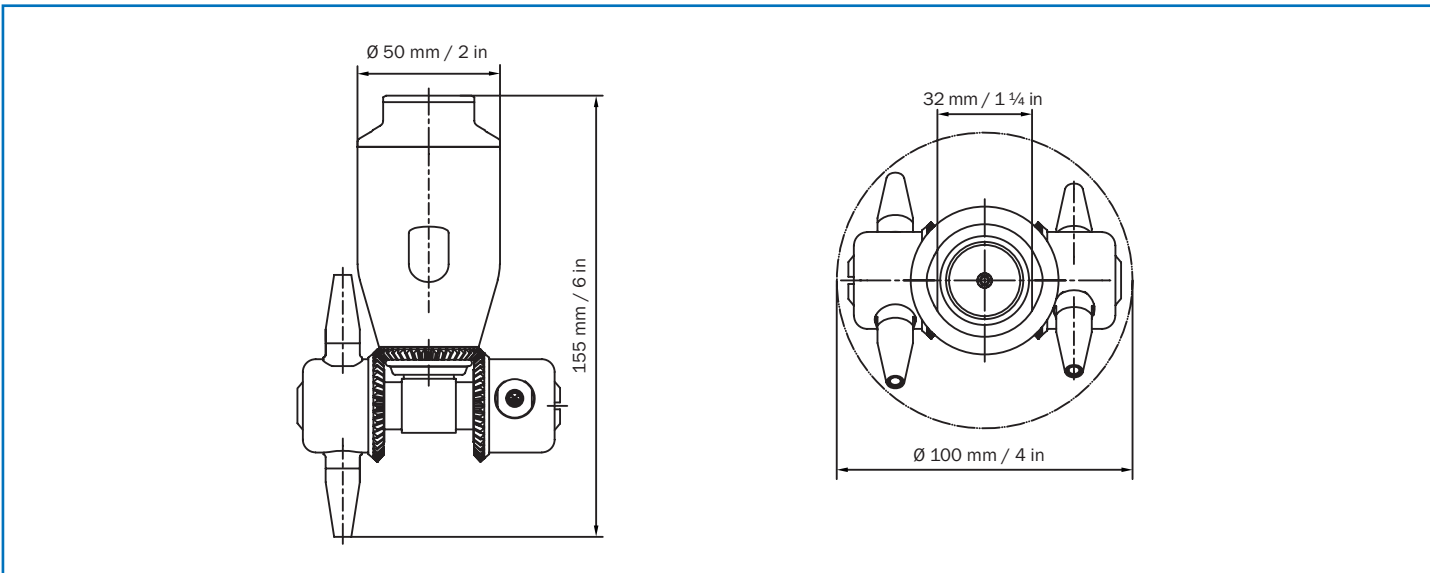
All consumption specifications are for orientation only.
The dimensions listed are in mm and are nominal dimensions.

Technical Parameters

Spray angle:	360° orbital
Materials:	1.4301 (304), 1.4401 (316), 1.4404 (316L), 1.4571 (316Ti), PTFE and PEEK+PTFE
Connections:	3/4" BSP or NPT, female thread
Operating pressure:	Cleaning medium: 3 - 20 bar / 43.5 - 290 psi
Working temperature:	Cleaning medium: max. 95 °C / 203 °F
Ambient temperature:	Inside the container: min. 5 °C / 41 °F, max. 140 °C / 284 °F
Volume flow rate:	2.2 - 6.5 m³/h / 36.7 - 108.3 l/h / 10 - 29 gpm (US) *
Rotation speed (RPM):	approx. 5 - 20 rpm
Range:	Cleaning radius: max. 2.3 m / 7.6 ft; wetting radius: max. 4.5 m / 14.8 ft
Weight:	approx. 1.2 kg
Installation position:	vertical, other positions on request
Min. installation opening:	Ø 100 mm / 4 in
Bearing:	plain bearing

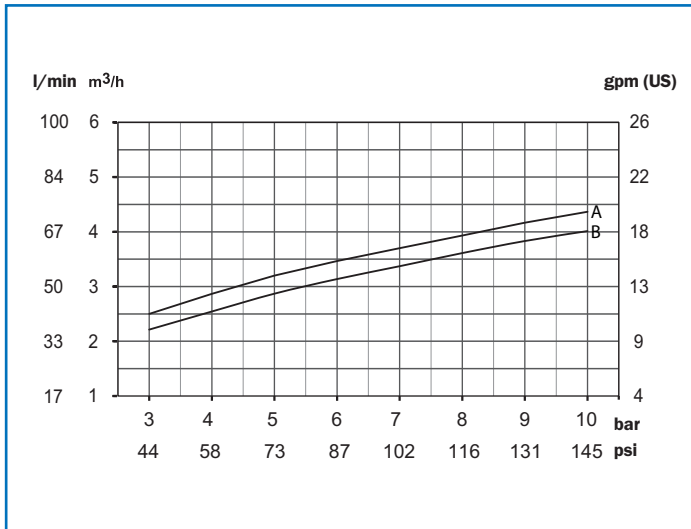
*Depending on model and cleaning medium

Dimensions

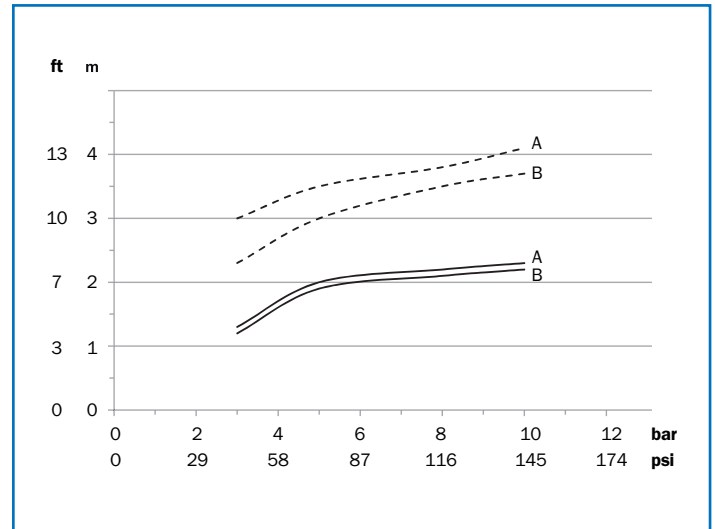


TANKO® JM100

Consumption Data and Throw Length Data



A – 4 x Ø 4.3 mm
B – 4 x Ø 3.7 mm



A – Ø 4.3 mm
B – Ø 3.7 mm

— Wetting radius - - - Cleaning radius

Ordering Information

TANKO® JM100

Article no.	Connection	Description	Nozzles	Pressure [bar]	Price/EUR
668 16 03NG ZOM0 20	3/4" BSP (female thread)	TANKO® JM100-G22	4 x Ø 3.7 mm	3 - 10	1.480,00
668 16 03NG ZOP0 20	3/4" BSP (female thread)	TANKO® JM100-G22	4 x Ø 4.3 mm	3 - 10	1.480,00
668 16 03HG ZOK0 20	3/4" BSP (female thread)	TANKO® JM100-G22	4 x Ø 3.2 mm	10 - 20	1.480,00
668 16 03HG ZOM0 20	3/4" BSP (female thread)	TANKO® JM100-G22	4 x Ø 3.7 mm	10 - 20	1.480,00
668 16 03HG ZOP0 20	3/4" BSP (female thread)	TANKO® JM100-G22	4 x Ø 4.3 mm	10 - 20	1.480,00
668 16 04NG ZOM0 20	3/4" NPT (female thread)	TANKO® JM100-G22	4 x Ø 3.7 mm	3 - 10	1.480,00
668 16 04NG ZOP0 20	3/4" NPT (female thread)	TANKO® JM100-G22	4 x Ø 4.3 mm	3 - 10	1.480,00
668 16 04HG ZOK0 20	3/4" NPT (female thread)	TANKO® JM100-G22	4 x Ø 3.2 mm	10 - 20	1.480,00
668 16 04HG ZOM0 20	3/4" NPT (female thread)	TANKO® JM100-G22	4 x Ø 3.7 mm	10 - 20	1.480,00
668 16 04HG ZOP0 20	3/4" NPT (female thread)	TANKO® JM100-G22	4 x Ø 4.3 mm	10 - 20	1.480,00

Spare Parts and Services

Spare Parts

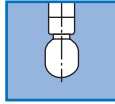
Price is not valid! Refer to spare parts catalog

Article no.	Description	Price/EUR
668 16 000G V000 00	Wear parts package	175,00
664 MH J800 Z000	Assembly aid (2 assembly jaws) TANKO-JM800/JM500/JM100	475,00
664 MW J132 0000	Rotor installation-removal tool	53,30

Material Certificates

Description	Net price/EUR
WAZ 3.1 - EN10204 - TANKO® JM	55,00

TANKO® JM500



360°

The TANKO® JM500 is a medium driven jet cleaner.

The device is used in a wide range of industrial applications where vessels and tanks need to be power-cleaned. The TANKO® JM500 can be deployed in the vessel through openings with a minimum diameter of 220 mm. 2 nozzle pairs provide cleaning with a 360° spray pattern.

The device has sturdy, externally mounted bevel gear unit. This makes it easy for the user to check the condition of the bevel gears and clean them if necessary. It has been designed to produce the best cleaning results. It is self-cleaning, works with high impact and uses a sufficient volume of cleaning medium for rinsing.

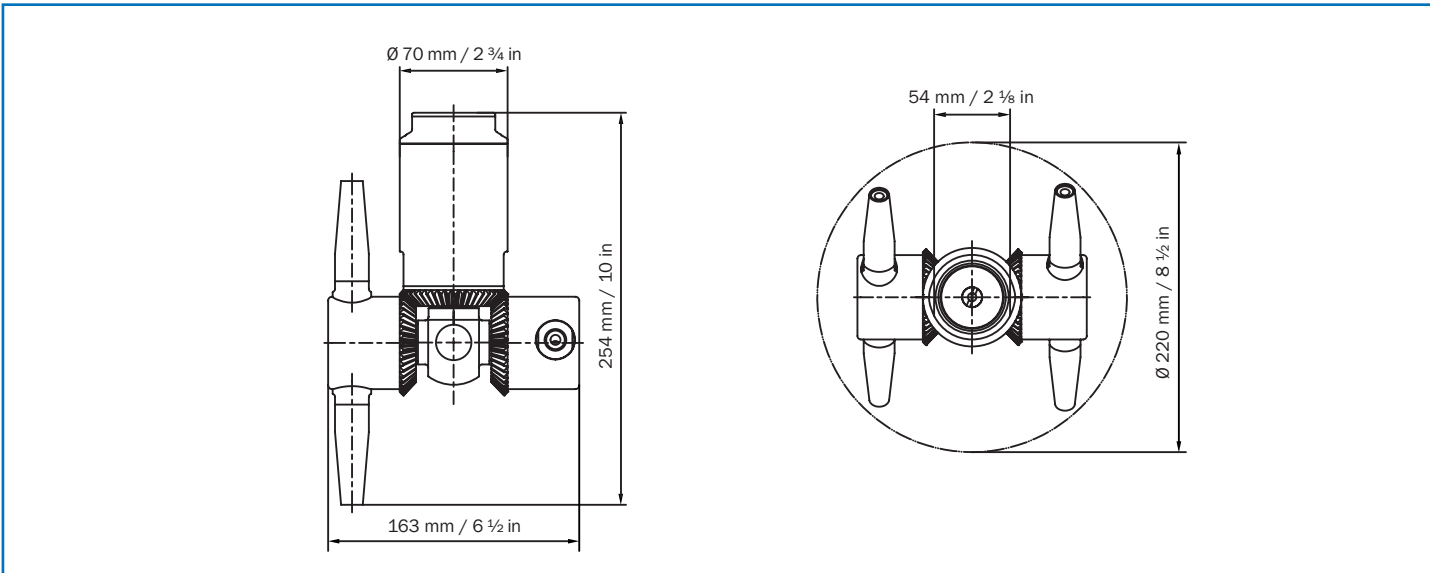
All consumption specifications are for orientation only.
The dimensions listed are in mm and are nominal dimensions.

Technical Parameters

Spray angle:	360° orbital
Materials:	1.4401 (316), 1.4404 (316L), 1.4571 (316Ti), PTFE and PEEK+PTFE
Connections:	1 1/2" BSP or NPT female thread
Operating pressure:	Cleaning medium: 3.5 - 13 bar / 51 - 189 psi
Working temperature:	Cleaning medium: max. 95 °C / 203 °F
Ambient temperature:	Inside the container: min. 5 °C / 41 °F , max. 140 °C / 284 °F
Volume flow rate:	8.1 - 29.4 m³/h / 135 - 490 l/min / 36 - 129 gpm (US) *
Rotation speed (RPM):	approx. 5 - 20 rpm
Range:	Cleaning radius: max. 5.7 m / 18.7 ft; wetting radius: max. 9.8 m / 32.2 ft
Weight:	approx. 5.2 kg
Installation position:	vertical, other positions on request
Min. installation opening:	Ø 220 mm / 8 ½ in
Bearing:	plain bearing

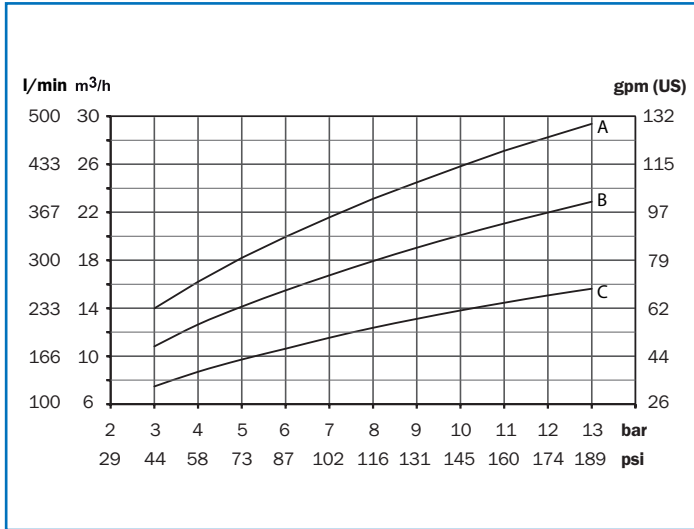
*Depending on model and cleaning medium

Dimensions

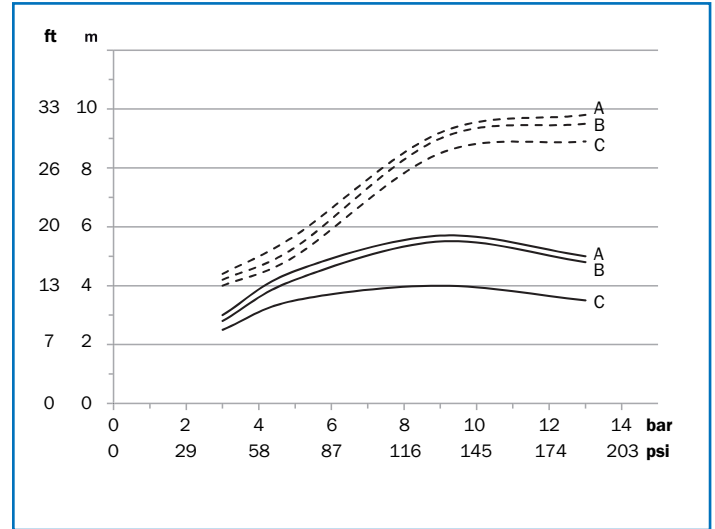


TANKO® JM500

Consumption Data and Throw Length Data



- A** – 4 x Ø 9.5 mm
- B** – 4 x Ø 8.0 mm
- C** – 4 x Ø 6.5 mm



- A** – Ø 9.5 mm
- B** – Ø 8.0 mm
- C** – Ø 6.5 mm

— Wetting radius - - - Cleaning radius

Ordering Information

TANKO® JM500

Article no.	Connection	Description	Nozzles	Pressure [bar]	Price/EUR
668 56 03NG ZOSO 20	1 1/2" BSP (female thread)	TANKO® JM500-G22	4 x Ø 6.5 mm	3.5 - 13	1.950,00
668 56 03NG ZOUO 20	1 1/2" BSP (female thread)	TANKO® JM500-G22	4 x Ø 8 mm	3.5 - 13	1.950,00
668 56 03NG ZOVO 20	1 1/2" BSP (female thread)	TANKO® JM500-G22	4 x Ø 9.5 mm	3.5 - 13	1.950,00
668 56 04NG ZOSO 20	1 1/2" NPT (female thread)	TANKO® JM500-G22	4 x Ø 6.5 mm	3.5 - 13	1.950,00
668 56 04NG ZOUO 20	1 1/2" NPT (female thread)	TANKO® JM500-G22	4 x Ø 8 mm	3.5 - 13	1.950,00
668 56 04NG ZOVO 20	1 1/2" NPT (female thread)	TANKO® JM500-G22	4 x Ø 9.5 mm	3.5 - 13	1.950,00

Spare Parts and Services

Spare Parts

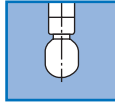
Price is not valid! Refer to spare parts catalog

Article no.	Description	Price/EUR
668 56 00NG V000 00	Wear parts package	245,00
664 MH J800 Z000	Assembly aid (2 assembly jaws) TANKO-JM800/JM500/JM100	475,00
664 MW J832 0000	Rotor installation-removal tool	148,00
664 MW J540 0000	Special key for gear wheel installation	92,00

Material Certificates

Description	Net price/EUR
WAZ 3.1 - EN10204 - TANKO® JM	55,00

TANKO® JM800



The TANKO® JM800 is a medium driven jet cleaner.

The device is used in a wide range of industrial applications where vessels and tanks need to be power-cleaned. The TANKO® JM800 can be deployed in the vessel through openings with a minimum diameter of 310 mm. The 360° spray pattern cleaning is based on 3 nozzles.

The device has sturdy, externally mounted bevel gear unit. This makes it easy for the user to check the condition of the bevel gears and clean them if necessary. It has been designed to produce the best cleaning results. It is self-cleaning and works with high impact. The slow rotation of the nozzles allows a large range with appropriate volumes of cleaning medium.

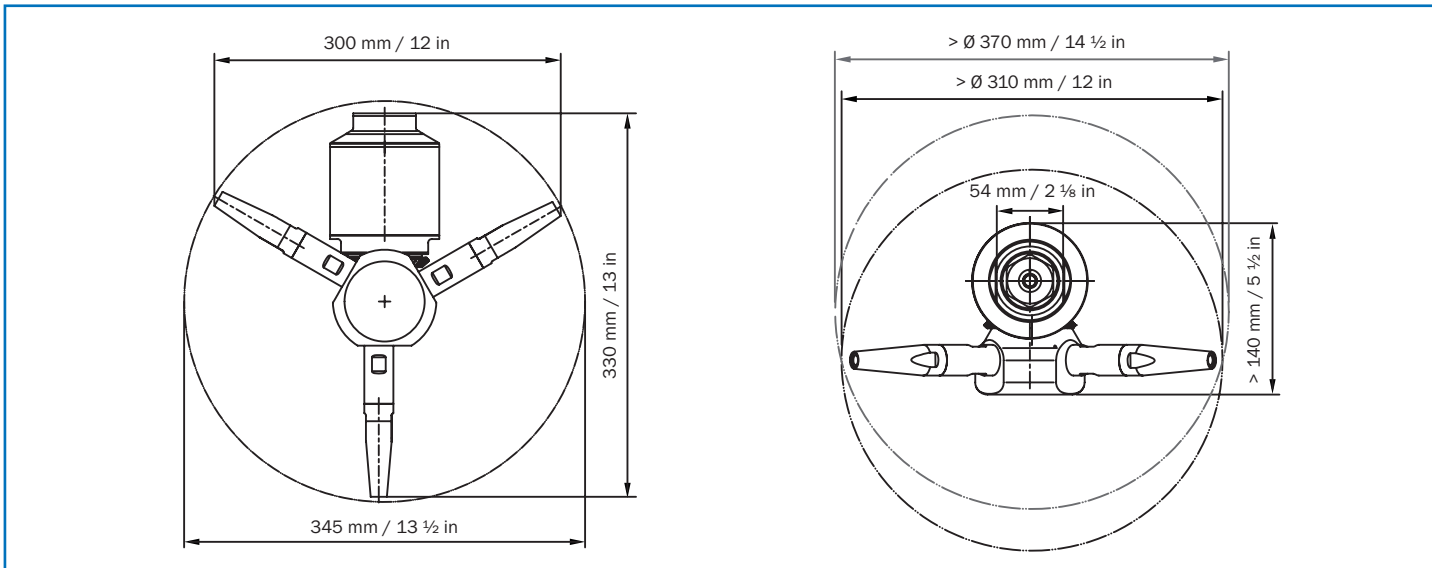
All consumption specifications are for orientation only.
The dimensions listed are in mm and are nominal dimensions.

Technical Parameters

Spray angle:	360° orbital
Materials:	1.4401 (316), 1.4404 (316L), 1.4571 (316Ti), PTFE and PEEK+PTFE
Connections:	1 ½" BSP or NPT female thread
Operating pressure:	Cleaning medium: 5 - 13 bar/73 - 189 psi
Working temperature:	Cleaning medium: max. 95 °C / 203 °F
Ambient temperature:	Inside the container: min. 5 °C / 41 °F , max. 140 °C / 284 °F
Volume flow rate:	14.3 - 27.6 m³/h / 238.3 - 460 l/min / 63 - 122 gpm (US) *
Rotation speed (RPM):	approx. 5 - 20 rpm
Range:	Cleaning radius: max. 6.8 m / 22.3 ft; wetting radius: max. 11.5 m / 37.7 ft
Weight:	approx. 7.2 Kg
Installation position:	Suspended vertically
Min. installation opening:	Ø 310 mm / 12 in, when installed centrally: Ø 370 mm / 14 ½ in
Bearing:	plain bearing

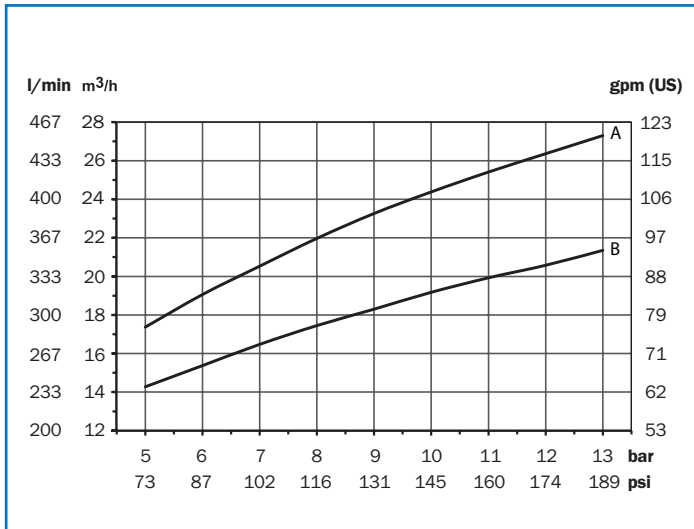
*Depending on model and cleaning medium

Dimensions

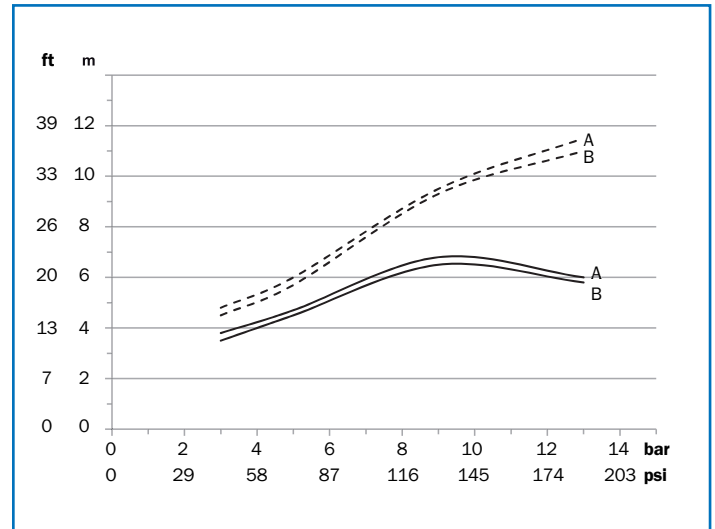


TANKO® JM800

Consumption and Throw Length Data



A - 3 x Ø 9.5 mm
B - 3 x Ø 8.0 mm



A - Ø 9.5 mm
B - Ø 8.0 mm

— Wetting radius - - - Cleaning radius

Ordering Information

TANKO® JM800

Article no.	Connection	Description	Nozzles	Pressure [bar]	Price/EUR
668 83 03NG Z0U0 20	1 1/2" BSP (female thread)	TANKO® JM800-G13	3 x Ø 8 mm	5 - 13	2.120,00
668 83 03NG Z0V0 20	1 1/2" BSP (female thread)	TANKO® JM800-G13	3 x Ø 9.5 mm	5 - 13	2.120,00
668 83 04NG Z0U0 20	1 1/2" NPT (female thread)	TANKO® JM800-G13	3 x Ø 8 mm	5 - 13	2.120,00
668 83 04NG Z0V0 20	1 1/2" NPT (female thread)	TANKO® JM800-G13	3 x Ø 9.5 mm	5 - 13	2.120,00

Spare Parts and Services

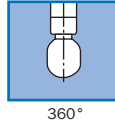
Spare Parts Price is not valid! Refer to spare parts catalog

Article no.	Description	Price/EUR
668 83 00NG V000 00	Wear parts package	145,00
664 MH J800 Z000	Assembly aid (2 assembly jaws) TANKO-JM800/JM500/JM100	475,00
664 MW J832 0000	Rotor installation-removal tool	148,00
664 MW J840 0000	Special key for gear wheel installation	92,00

Material Certificates

Description	Net price/EUR
WAZ 3.1 - EN10204 - TANKO® JM	55,00

TANKO® JX70



The TANKO® JX series combines strong cleaning power with very economic use of the cleaning medium.

The electric motor means that no cleaning medium is needed for driving the rotation. This allows the rotation and the speed of rotation to be easily adjusted to suit the cleaning requirements. The nozzle geometry determines the cleaning medium throughput, the range of the system and thus the possible cleaning power. These system allow the optimum cleaning force to be applied to the surface to be cleaned. The 360° spray pattern cleaning is based on 2 nozzles.

All consumption specifications are for orientation only.
The dimensions listed are in mm and are nominal dimensions.

Technical Parameters

Spray angle:	360° orbital
Basic device materials:	1.4571 (316Ti), PTFE, PEEK, EPDM, iglidur® A500 1.4301 (304), 1.4401 (316), 1.4404 (316L), 1.4408 (316L), 1.4435 (316L), 1.4568 (301), FKM, FKM with FEP coating
Connections:	Process connection (PA): DN80 union DIN 11851 Medium connection (MA): 1/2" BSP male thread DIN ISO 228
Operating pressure:	Cleaning medium: 2 - 20 bar / 29 - 290 psi
Working temperature:	Cleaning medium: max. 95 °C / 203 °F (Does not apply to ATEX versions!)
Ambient temperature:	Outside the vessel: max. 110 °C / 230 °F (Does not apply to ATEX versions!) Outside the vessel: min. -20 °C / -4 °F, max. 40 °C / 104 °F (does not apply to ATEX versions!)
Volume flow rate:	0.2 - 2.5 m³/h / 3.3 - 41.7 l/min / 1 - 11 gpm (US)
Range:	Cleaning radius: max. 2.1 m / 6.9 ft Wetting radius: max. 4.3 m / 14.1 ft
Bearings:	Ball bearing, plain bearing
Installation dimensions:	Usable downpipe length 300 mm, 500 mm, 750 mm und 1000 mm
Downpipe extension:	without
Number of nozzles:	2, optional: 1; 3 or 4
Nozzle bore:	1 - 4 mm, depending on expected cleaning power
Min. installation opening:	fixed installation: Ø 60 mm / 2 ½ in (2-nozzle), Ø 75 mm / 3 in (3-nozzle), Ø 70 mm / 2 ¾ (4-nozzle) mobile use: Ø 85 mm / 3 11/32 in
Drive:	45 W electric geared motor 230/400 V, 50 Hz, IP 54; 14 rpm; optional: 90 W electric geared motor, other speeds and protection classes, version with frequency converter, com-

Information as per ATEX (excerpt)

The cleaning devices satisfy the explosion protection requirements of Directive 2014/34/EU.

Current information on the type approval of the cleaning devices: TANKO® JX70

The "Ex" labeling of the device depends in particular on the configuration of the drive (e.g. compressed air or electric geared motor). The mechanical non-electrical part of the device (without drive) for use in potentially explosive atmospheres is designated with the letter "h" and designed in the standardized type of protection constructive safety "c" according to EN ISO 80079-37.

The specific "Ex" labeling of explosion-proof versions is located on the device in accordance with the information from the associated device drawing and the operating/assembly instructions.

Example of a device with compressed air geared motor (category 2):

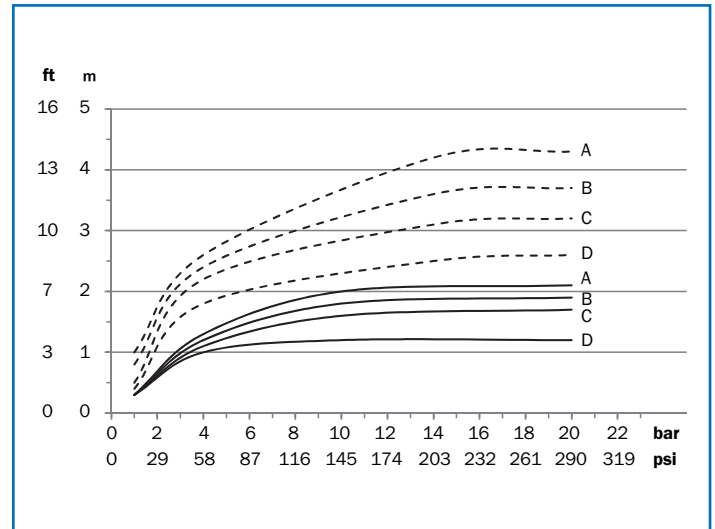
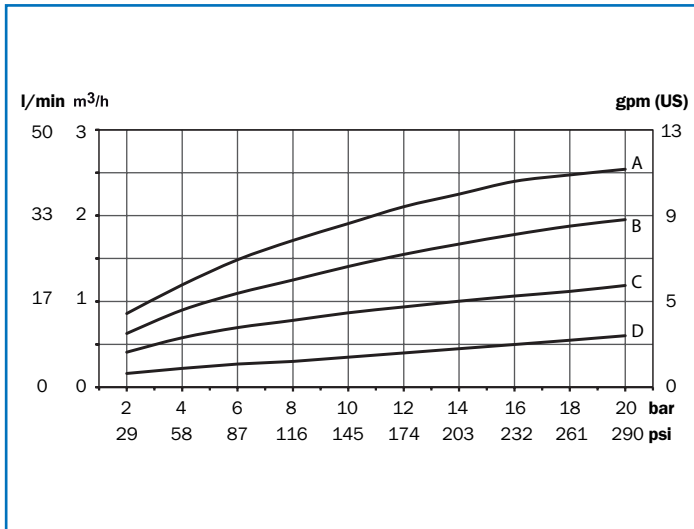
(G = Gas, D = Dust, X at the end of the identification number = Special conditions, see operating instructions)

 II 1/2G Ex h IIB T6...T4 Ga/Gb
 II 1/2D Ex h IIIC T85 °C...T110 °C Da/Db
 TPS 21 ATEX 055073 0010 X

The technical data of the ATEX units can differ from the standard units and this data is provided in the respective operating and installation instructions.

TANKO® JX70

Consumption Data and Throw Length Data



- A** - 2 x Ø 4 mm
- B** - 2 x Ø 3 mm
- C** - 2 x Ø 2 mm
- D** - 2 x Ø 1 mm

- A** - Ø 4 mm
- B** - Ø 3 mm
- C** - Ø 2 mm
- D** - Ø 1 mm

— Wetting radius - - - Cleaning radius

Example Applications

- Effective tank cleaning, even with complex geometries (internal fittings, connections etc.), in the food industry, chemical industry and pharmaceutical industry
- High cleaning force for adhesive products

Spare Parts and Services

Spare Parts (head)

Price is not valid! Refer to spare parts catalog

Article no.	Description	Net price, EUR
66C0F0E029051	Wearing parts package for JX70 head	85,00
66C0X0E029051	Wearing parts package for JX70 ATEX head	85,00

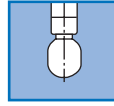
Measuring Report

Number of measuring points	Description	Net price, EUR
8	Roughness	140,00

Material Certificates

Description	Net price, EUR
WAZ 3.1 - EN10204 - TANKO® JX	125,00

TANKO® JX75



The TANKO® JX series combines strong cleaning power with very economic use of the cleaning medium.

The electric motor means that no cleaning medium is needed for driving the rotation. This allows the rotation and the speed of rotation to be easily adjusted to suit the cleaning requirements. The nozzle geometry determines the cleaning medium throughput, the range of the system and thus the possible cleaning power. These system allow the optimum cleaning force to be applied to the surface to be cleaned. The 360° spray pattern cleaning is based on 2 nozzles.

All consumption specifications are for orientation only.
The dimensions listed are in mm and are nominal dimensions.

Technical Parameters

Spray angle:	360° orbital
Basic device materials:	1.4571 (316Ti), PTFE, PEEK, EPDM, iglidur® A500 1.4301 (304), 1.4401 (316), 1.4404 (316L), 1.4408 (316L), 1.4435 (316L), 1.4568 (301), FKM, FKM with FEP coating
Connections:	Process connection (PA): DN100 union DIN 11851 Medium connection (MA): 3/4" BSP male thread DIN ISO 228
Operating pressure:	Cleaning medium: 2 - 20 bar / 29 - 290 psi
Working temperature:	Cleaning medium: max. 95 °C / 203 °F (does not apply to ATEX versions!)
Ambient temperature:	Outside the vessel: max. 110 °C / 230 °F (does not apply to ATEX versions!)
Volume flow rate:	Outside the vessel: min. -20 °C / -4 °F, max. 40 °C / 104 °F (does not apply to ATEX versions!)
Range:	0.6 - 7.2 m³/h / 10 - 120 l/min / 3 - 32 gpm (US) Cleaning radius: max. 5 m / 16.4 ft Wetting radius: max. 6 m / 19.7 ft
Bearings:	Ball bearing, plain bearing
Installation dimensions:	485 mm usable downpipe length, optional: 735 mm and 985 mm, others from 300 - 1200 mm on request
Downpipe extensions:	500; 750 and 1000 mm
Number of nozzles:	2, optional: 1; 3 or 4
Nozzle bore:	2 - 6 mm, depending on expected cleaning power
Min. installation opening:	fixed installation: Ø 100 mm / 4 in (2-nozzle), Ø 125 mm / 5 in (3-nozzle) Ø 120 mm / 4 ¾ in (4-nozzle) mobile use: Ø 145 mm / 5 ¾ in
Drive:	90 W electric geared motor 230/400 V, 50 Hz, IP 54; 14 rpm; optional: 120 W electric geared motor, other speeds and protection classes, version with frequency converter, compressed air motor

Information as per ATEX (excerpt)

The cleaning devices satisfy the explosion protection requirements of Directive 2014/34/EU.

Current information on the type approval of the cleaning devices: TANKO® JX75

The "Ex" labeling of the device depends in particular on the configuration of the drive (e.g. compressed air or electric geared motor). The mechanical non-electrical part of the device (without drive) for use in potentially explosive atmospheres is designated with the letter "h" and designed in the standardized type of protection constructive safety "c" according to EN ISO 80079-37.

The specific "Ex" labeling of explosion-proof versions is located on the device in accordance with the information from the associated device drawing and the operating/assembly instructions.

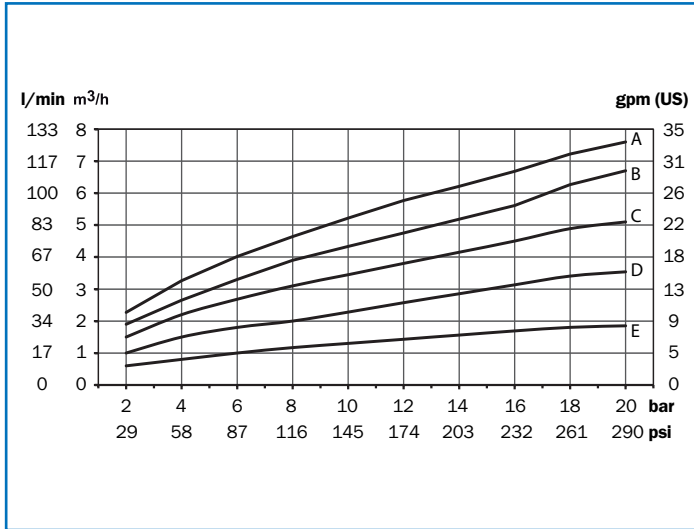
Example of a device with compressed air geared motor (category 2):

(G = Gas, D = Dust, X at the end of the identification number = Special conditions, see operating instructions)

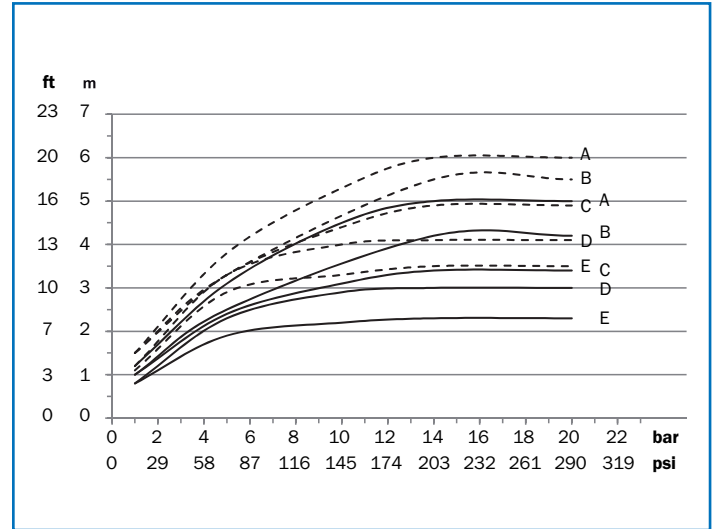
Ex II 1/2G Ex h IIB T6...T4 Ga/Gb
II 1/2D Ex h IIIC T85 °C...T110 °C Da/Db
TPS 21 ATEX 055073 0010 X

The technical data of the ATEX units can differ from the standard units and this data is provided in the respective operating and installation instructions.

Consumption and Throw Length Data of TANKO® JX75 2-nozzle



- A** - 2 x Ø 6 mm
- B** - 2 x Ø 5 mm
- C** - 2 x Ø 4 mm
- D** - 2 x Ø 3 mm
- E** - 2 x Ø 2 mm



- A** - Ø 6 mm
- B** - Ø 5 mm
- C** - Ø 4 mm
- D** - Ø 3 mm
- E** - Ø 2 mm

— Wetting radius - - - Cleaning radius

Example Applications

- Effective tank cleaning, even with complex geometries (internal fittings, connections etc.), in the food industry, chemical industry and pharmaceutical industry
- High cleaning force for adhesive products

Spare Parts and Services

Spare Parts (head)

Price is not valid! Refer to spare parts catalog

Article no.	Description	Net price/EUR
66D0F0E029051	Wearing parts package for JX75 head	85,00
66D0X0E029051	Wearing parts package for JX75-ATEX head	85,00

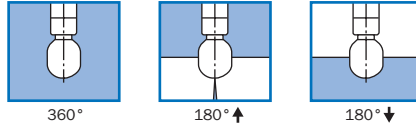
Measuring Report

Number of measuring points	Description	Net price/EUR
8	Roughness	140,00

Material Certificates

Description	Net price/EUR
WAZ 3.1 - EN10204 - TANKO® JX	125,00

TANKO® CP2S



The TANKO® CP2S is a slow-rotation jet cleaner.

With cleaning performance between the TANKO® S series and the jet cleaners of the TANKO® JM series, the TANKO® CP2S is a low-cost solution for effectively cleaning vessels with diameters of up to 4 m. With its slow and even rotation and strong impact, the TANKO® CP2S is suitable for cleaning vessels with strongly adhesive contents.

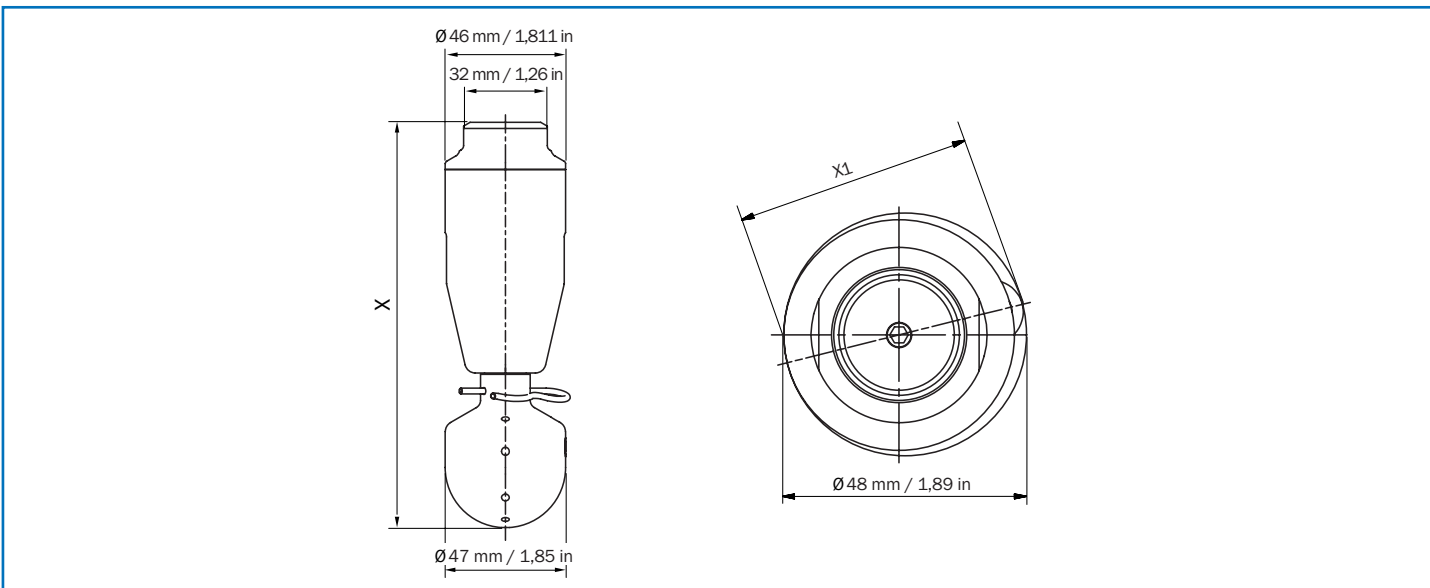
The TANKO® CP2S is a plain bearing system with a simple structure containing few moving parts. With its low servicing requirements, the TANKO® CP2S provides a compact and reliable solution for cleaning tasks with different cleaning medium and a large temperature range.

All consumption specifications are for orientation only.
The dimensions listed are in mm and are nominal dimensions.

Technical Parameters

Spray angle:	360°, 180° upwards, 180° downwards
Materials:	1.4401 (316), 1.4404 (316L), PTFE (FDA-compliant)
Connections:	3/4" BSP or NPT female thread, clipon for pipe outer-Ø 25.4 mm
Operating pressure:	Cleaning medium: 3 - 12 bar/43.5 - 174 psi
Working temperature:	Cleaning medium: max. 95°C / 203°F
Ambient temperature:	Inside the container: max. 140°C / 284°F Outside the vessel: min. -20°C / -4°F, max. +40°C / 104°F
Sterilization temperature:	121°C / 250°F for a short time
Volume flow rate:	2.5 - 6.1 m ³ /h / 41.7 - 101.7 l/min / 11 - 26.9 gpm (US)
Rotation speed:	2 - 30 rpm
Weight:	1.1 kg
Range:	Cleaning radius: max. 2 m / 6.6 ft; wetting radius: max. 2.9 m / 9.5 ft
Installation position:	vertically suspended (other positions possible with reduced service life of the plain bearings)
Min. installation opening:	Ø 48 mm / 1.89 in

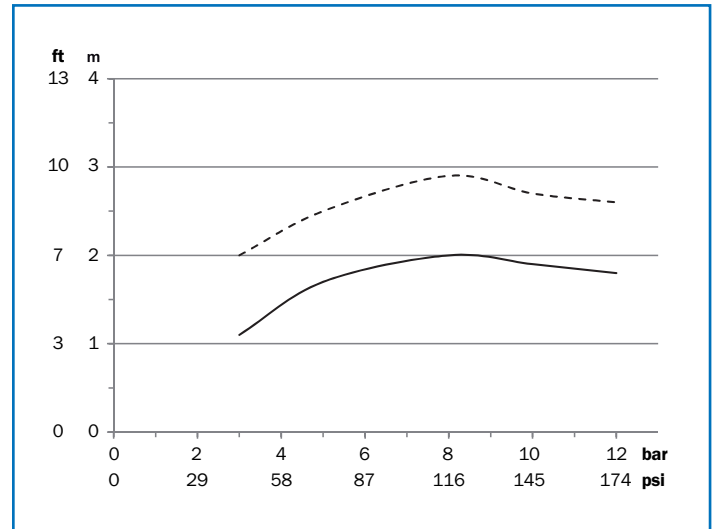
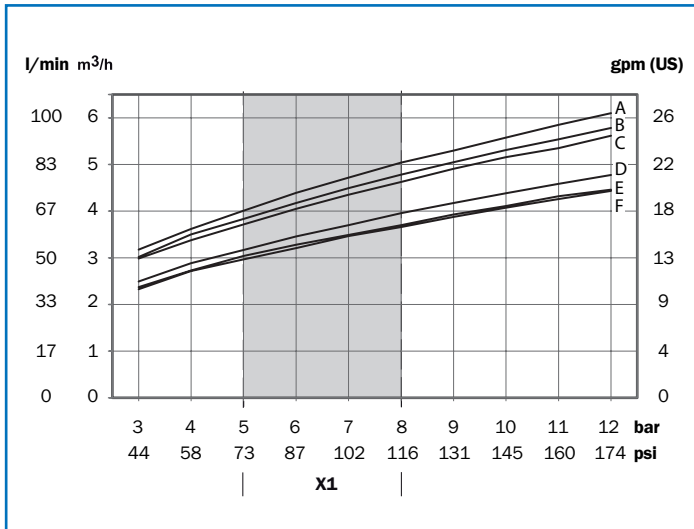
Dimensions



X – approx. 155 mm / 6.102 in (thread) / ca. 165 mm / 6.496 in (clipon)

X1 – approx. 47.4 mm / 1.866 in

Consumption and Throw Length Data



- A - 360° clipon
- B - 180° upwards clipon
- C - 180° downwards clipon
- D - 360° thread
- E - 180° top thread
- F - 180° bottom thread

— Wetting radius - - - Cleaning radius

X1 - recommended operating pressure

Ordering Information

TANKO® CP2S

Article no.	Connection	Spray angle	Price/EUR
669 S17 800 132 0	3/4" BSP (female thread)	360°	550,00
669 S17 800 142 0	3/4" NPT (female thread)	360°	550,00
669 S19 100 112 0	Clipon for pipe outer Ø 25.4 mm	360°	550,00
669 S17 800 232 0	3/4" BSP (female thread)	180° upwards	550,00
669 S17 800 242 0	3/4" NPT (female thread)	180° upwards	550,00
669 S19 100 212 0	Clipon for pipe outer Ø 25.4 mm	180° upwards	550,00
669 S17 800 332 0	3/4" BSP (female thread)	180° downwards	550,00
669 S17 800 342 0	3/4" NPT (female thread)	180° downwards	550,00
669 S19 100 312 0	Clipon for pipe outer Ø 25.4 mm	180° downwards	550,00

Spare Parts and Services

Spare Parts

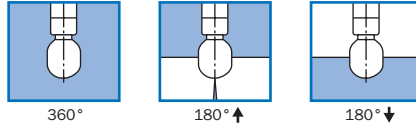
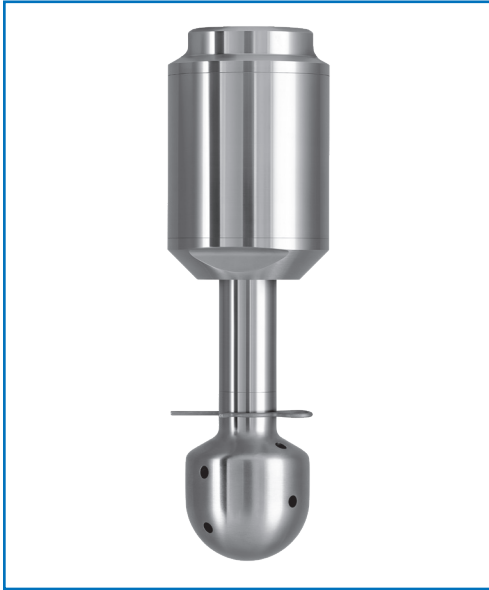
Price is not valid! Refer to spare parts catalog

Article no.	Description	Price/EUR
669 010 00V 000 0	Wearing Parts Packages for TANKO® CP2 and TANKO® CP2S	95,00
664 0C0 121 012 0	Clipon connection set Gr. 04, short	20,17

Material Certificates

Description	Net price/EUR
WAZ 3.1 - EN10204 - TANKO® CP	55,00

TANKO® CP3



The TANKO® CP3 is a slow-rotation jet cleaner.

With cleaning performance between the rotating spray balls of the TANKO® S series and the jet cleaners of the TANKO® JM series, the TANKO® CP3 is a low-cost solution for effectively cleaning vessels with diameters of up to 6 m. With slow, even rotation and strong impact, the TANKO® CP3 is suitable for cleaning vessels with strongly adhesive contents.

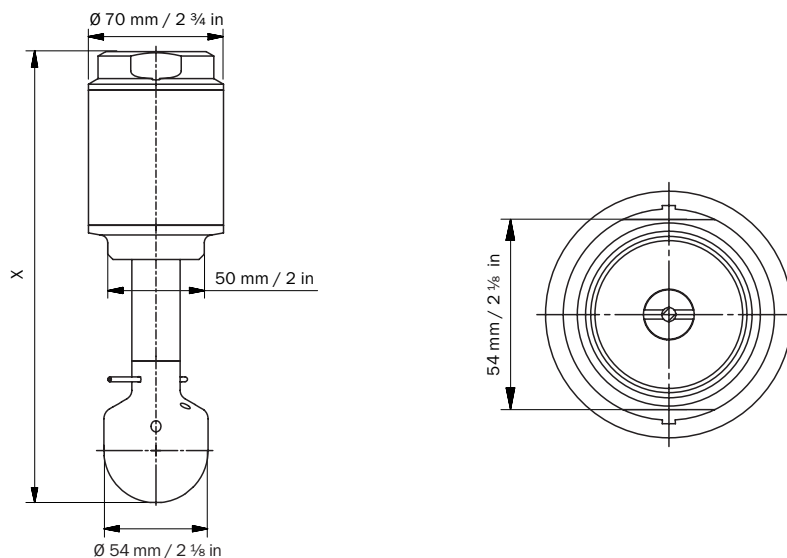
The TANKO® CP3 is a plain bearing system with a simple structure containing few moving parts. With its low servicing requirements, the TANKO® CP3 provides a compact and reliable solution for cleaning tasks with different cleaning medium and a large temperature range.

All consumption specifications are for orientation only.
The dimensions listed are in mm and are nominal dimensions.

Technical Parameters

Spray angle:	360°, 180° upwards, 180° downwards
Materials:	1.4401 (316), 1.4404 (316L), PTFE (FDA-compliant)
Connections:	1 1/2" BSP or NPT female thread
Operating pressure:	Cleaning medium: 3 - 12 bar/43.5 - 174 psi
Working temperature:	Cleaning medium: max. 95 °C / 203 °F
Ambient temperature:	Inside the container: max. 140 °C / 284 °F Outside the vessel: min. -20 °C / -4 °F, max. +40 °C / 104 °F
Volume flow rate:	6.2 - 12.7 m ³ /h / 103.3 - 211.7 l/min / 27.3 - 55.9 gpm (US)
Rotation speed:	2 - 30 rpm
Weight:	2.6 kg
Range:	Cleaning radius: max. 3 m / 9.8 ft; wetting radius: max. 4.7 m / 15.4 ft
Installation position:	vertically suspended (other positions on request)
Min. installation opening:	Ø 72 mm / 2 ⁵³ / ₆₄ in

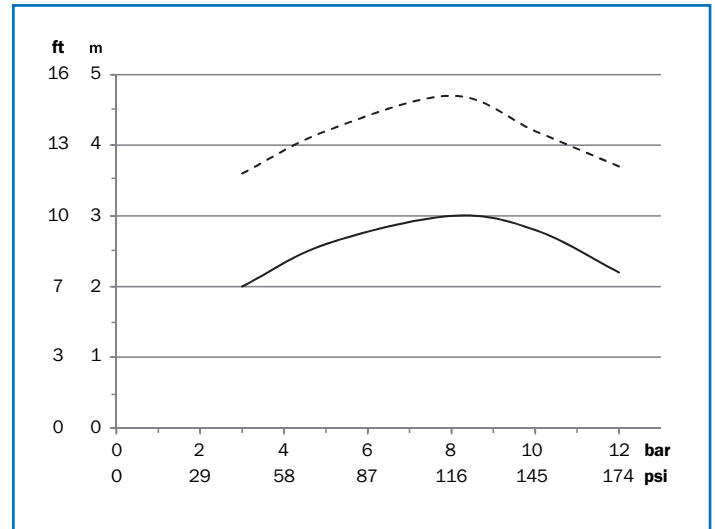
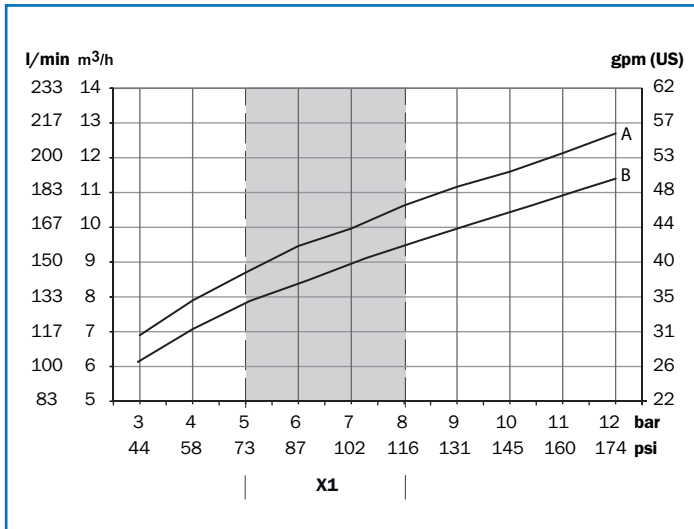
Dimensions



X - approx. 234 mm / 9.213 in

TANKO® CP3

Consumption Data and Throw Length Data



A - 360°

B - 180° upwards / 180° downwards

— Wetting radius - - - Cleaning radius

X1 - recommended operating pressure

Ordering Information

TANKO® CP3

Article no.	Connection	Spray angle	Price/EUR
669 028 100 1320	1 1/2" BSP (female thread)	360°	625,00
669 028 100 1420	1 1/2" NPT (female thread)	360°	625,00
669 028 100 2320	1 1/2" BSP (female thread)	180° upwards	625,00
669 028 100 2420	1 1/2" NPT (female thread)	180° upwards	625,00
669 028 100 3320	1 1/2" BSP (female thread)	180° downwards	625,00
669 028 100 3420	1 1/2" NPT (female thread)	180° downwards	625,00

Spare Parts and Services

Spare Parts

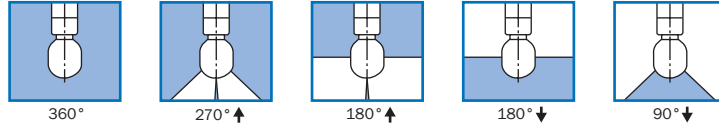
Price is not valid! Refer to spare parts catalog

Article no.	Description	Price/EUR
669 020 00V 0000	Wearing parts package for TANKO® CP3	105,00

Material Certificates

Description	Net price/EUR
WAZ 3.1 - EN10204 - TANKO® CP	55,00

TANKO® S



The TANKO® S is a rotating spray head with slotted spray openings.

Strong impact, high cleaning force at low volumetric flows and low pressures make it easier to optimize the cleaning process and provide a more efficient alternative to static spray balls. The spate cleaners are available in 5 different sizes, with different materials and connections, and also with ATEX certification if required.

All consumption specifications are for orientation only.
The dimensions listed are in mm and are nominal dimensions.

Technical Parameters

Spray angle:	360°, 270° upwards, 180° upwards, 180° downwards, 90° downwards
Materials:	<p>TANKO® S10: Basic body 1.4435 (316L); bearing balls 1.4401 (316), optional 2.4610 (HC4)</p> <p>TANKO® S20 / TANKO® S30: Basic body 1.4435 (316L), 2.4602 (HC22); Bearing balls 1.4401 (316), optional 2.4610 (HC4)</p> <p>TANKO® S40 / TANKO® S50: Basic body 1.4435 (316L), 1.4404 (316L), 2.4602 (HC22); bearing balls 1.4401 (316), optional 2.4610 (HC4)</p>
Connections:	Clipon, thread, orbital weldon connection acc. DIN 11866
Operating pressure:	Cleaning medium: 1,5 - 3 bar / 22 - 43.5 psi *
Working temperature:	Cleaning medium: max. 230°C / 446°F (Does not apply to ATEX versions!)
Ambient temperature:	Inside the container: max. 250°C / 482°F (Does not apply to ATEX versions!)
Volume flow rate:	0.25 - 18 m³/h / 4.2 - 300 l/min / 1 - 79 gpm (US) *
Range:	Cleaning radius: 0.1 - 3.2 m / 0.3 - 10.5 ft; wetting radius: 0.1 - 4.2 m / 0.3 - 13.8 ft *
Bearings:	double ball bearings

*Depending on model and cleaning medium

Information as per ATEX (excerpt)

The cleaning devices satisfy the explosion protection requirements of Directive 2014/34/EU.

Current information on the type approval of the cleaning devices: TANKO® EX S10, TANKO® EX S20, TANKO® EX S30, TANKO® EX S40, TANKO® EX S50
(G = Gas, D = Dust, X at the end of the identification number = Special conditions, see operating instructions)

Ex II 1 G Ex h IIB T6 Ga
II 1 D Ex h IIIC T60°C Da
TPS 20 ATEX 055073 008 X

The technical data of the ATEX units can differ from the standard units and this data is provided in the respective operating and installation instructions.

Surcharge on standard products from the TANKO® S series: 75.00 EUR

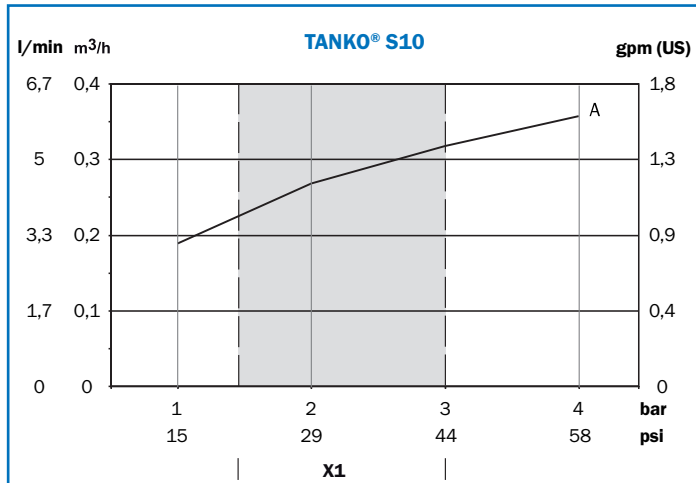
Article no.: please take the respective article number and substitute the value "X" accordingly. E.g.: 665 03 7600 135X

Consumption Data and Throw Length Data

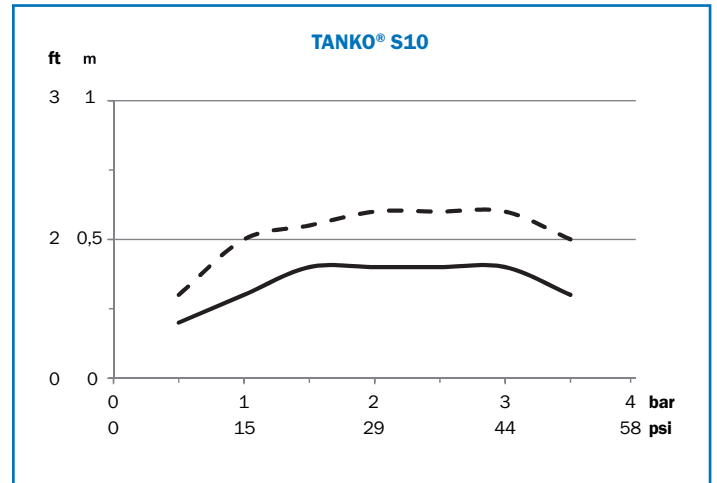
Test conditions for the consumption and range charts:

Temperature: 20 - 30 °C / 68 - 86 °F
 Measuring medium: Water
 Connection: Thread connection

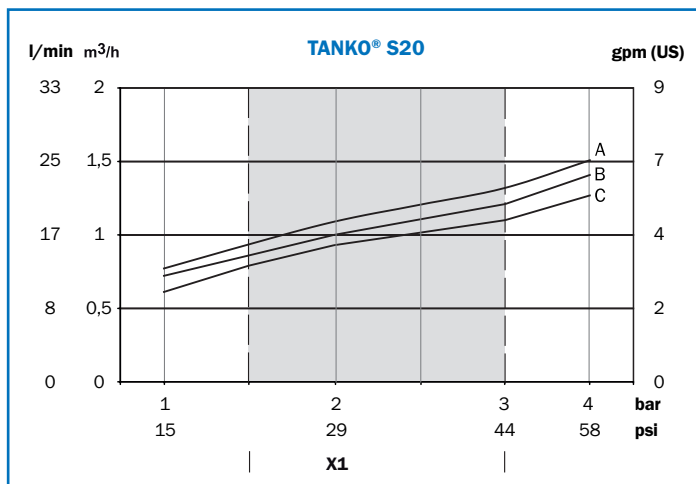
The consumption values for clipon connections can be up to 30% higher depending on the size of the connection, the range values may be lower.



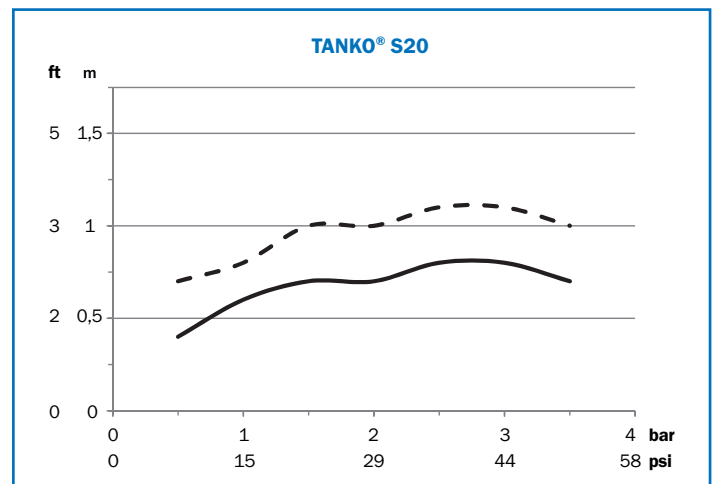
A - 360°
 X1 - recommended operating pressure



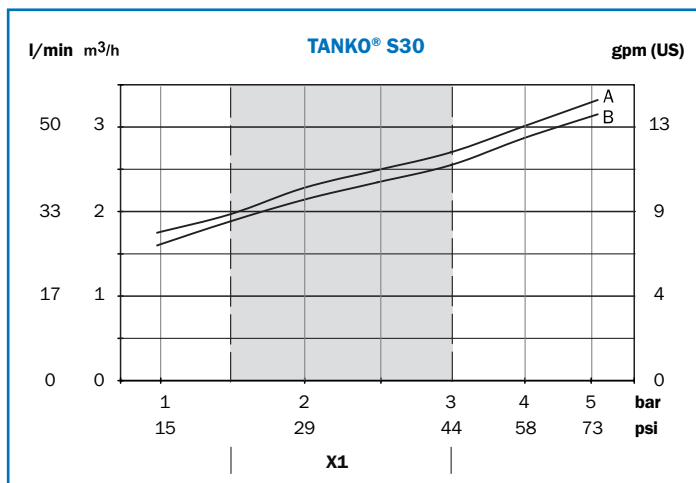
— Wetting radius - - - Cleaning radius



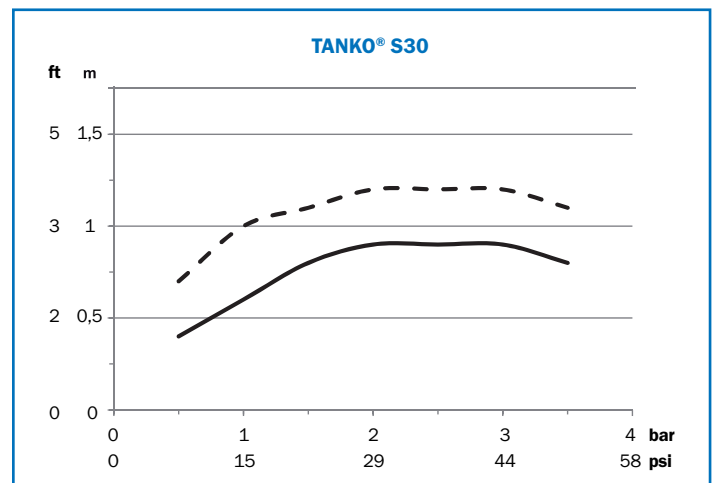
A - 360° / 270° upwards B - 180° downwards C - 90° downwards
 X1 - recommended operating pressure



— Wetting radius - - - Cleaning radius

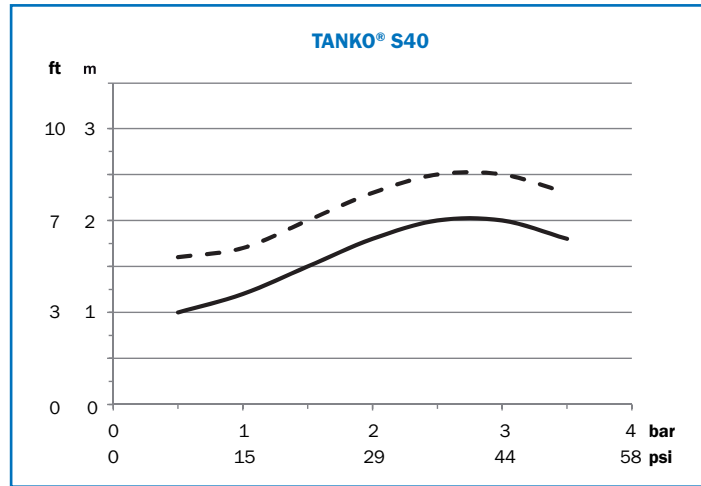
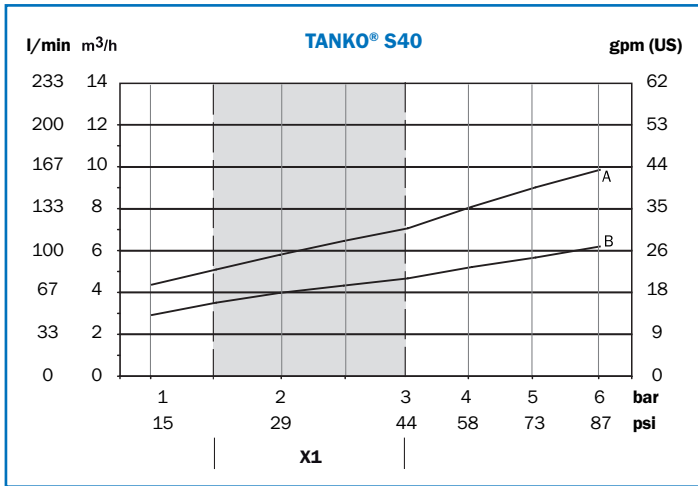


A - 360° / 180° upwards / 180° downwards / 90° downwards
 B - 270° upwards
 X1 - recommended operating pressure



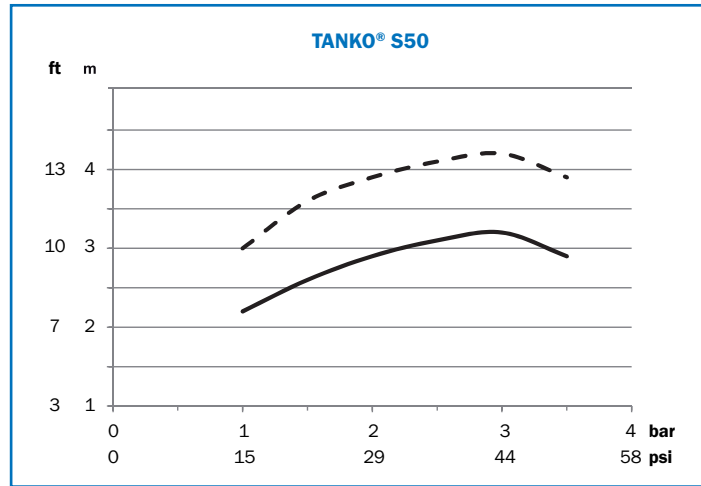
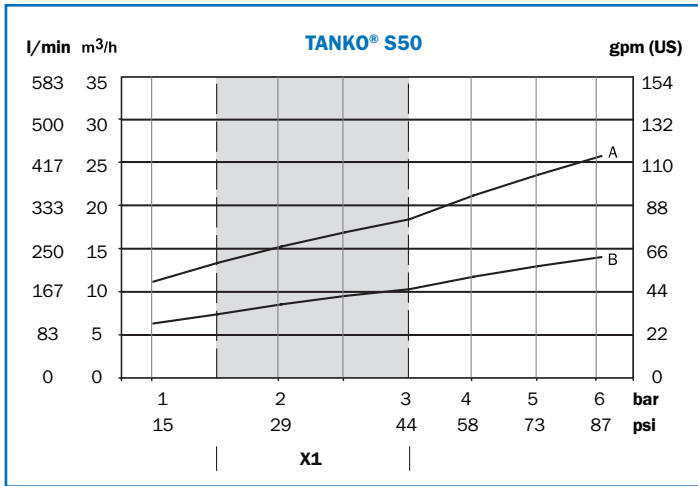
— Wetting radius - - - Cleaning radius

TANKO® S



A – 360° HF
B – 360° / 270° upwards / 180° upwards / 180° downwards / 90° downwards
X1 – recommended operating pressure

— Wetting radius - - - Cleaning radius



A – 360° / 270° upwards
B – 180° upwards / 180° downwards
X1 – recommended operating pressure

— Wetting radius - - - Cleaning radius

Surcharge on standard products from the TANKO® S series:

TANKO® S with Hastelloy Balls

Model	Ball material	Surcharge/EUR
TANKO® S10	2.4610 / HC4	141.00
TANKO® S20	2.4610 / HC4	56.00
TANKO® S20	2.4602 / HC22	62.00
TANKO® S30	2.4610 / HC4	72.00
TANKO® S30	2.4602 / HC22	80.00
TANKO® S40	2.4610 / HC4	120.00
TANKO® S40	2.4602 / HC22	133.00
TANKO® S50	2.4610 / HC4	272.00
TANKO® S50	2.4602 / HC22	302.00

Article no.:

Please replace **00** in the article number with **0A** for 2.4602 or **0B** for 2.4610

Example: 665 03 7600 1351 TANKO® S30, 360° Standard

Example: 665 03 760**A** 1351 TANKO® S30, 360° with balls made of 2.4602 / HC22

Example: 665 03 760**B** 1351 TANKO® S30, 360° with balls made of 2.4610 / HC4

Spare Parts and Services

Wire Retaining Pin Set (4 pieces) for Clipon

Article no.	Version	To be used for materials	Ø	Length	Price/EUR
664 00 00A2 0044	TANKO® S20	1.4435 (316L), 1.4404 (316L)	2	40	29,60
664 00 00A2 0064	TANKO® S20	1.4576	2	40	29,60
664 00 00A2 0094	TANKO® S20	2.4602 (HC22), 2.4610 (HC4)	2	40	32,40
664 00 00A3 0044	TANKO® S30	1.4435 (316L), 1.4404 (316L)	2	49	29,60
664 00 00A3 0064	TANKO® S30	1.4576	2	49	29,60
664 00 00A3 0094	TANKO® S30	2.4602 (HC22), 2.4610 (HC4)	2	49	32,40
664 00 00A6 0054	TANKO® S40	1.4571 (316Ti)	3.6	78	34,40
664 00 00A6 0074	TANKO® S40	2.4602 (HC22), 2.4610 (HC4)	3.6	78	63,20
664 00 00A7 0054	TANKO® S50	1.4571 (316Ti)	4.5	115	38,80

Measuring Report

Number of measuring points	Description	Net price/EUR
3	Roughness	35,00
5	Roughness	55,00
2	Δ-ferrite content	45,00

Material Certificates

Description	Net price/EUR
WAZ 3.1 - EN10204 - TANKO® S	15,00
WAZ 3.1 - EN10204 - Wire retaining pins	15,00

Surface Treatment

Article no.	Description	Surcharge/EUR
... R	Surface treatment of TANKO® S to Ra ≤ 0.5 µm (exterior)	67,00
... D	Electropolishing of TANKO® S (exterior)	59,00
... C	Electropolishing of TANKO® S to Ra ≤ 0.5 µm (exterior)	125,00

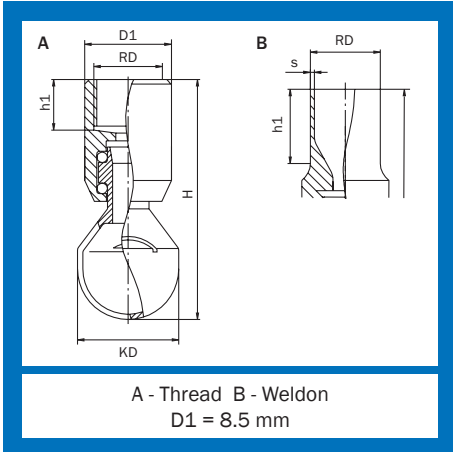
Article no.:

Please take the respective article number and add the corresponding treatment letter designation for example: **A** for Ra ≤ 0.5 µm (external) or **D** or **C**.

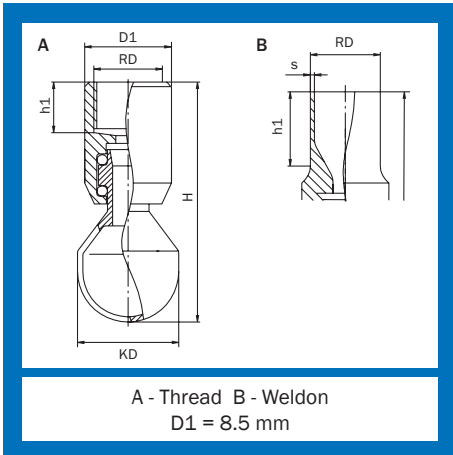
Example: 665 03 7600 135**1** TANKO® S30, 360° Standard

Example: 665 03 760**A** 135**A** TANKO® S30, 360° Standard Ra ≤ 0.5 µm (external)

TANKO® S10



TANKO® S10, 360°								
Connection	DIN 11866	DN	RD	s	KD	H	h1	Weight [kg]
Weldon	Series A (DIN)	6	8	1	10	51	27	0.014
Thread	DIN 13 T.1	6	M5	-	10	26	4	0.007



TANKO® S10, 180° downwards								
Connection	DIN 11866	DN	RD	s	KD	H	h1	Weight [kg]
Weldon	Series A (DIN)	6	8	1	10	51	27	0.014
Thread	DIN 13 T.1	6	M5	-	10	26	4	0.007

TANKO® S10

TANKO® S10, 360°

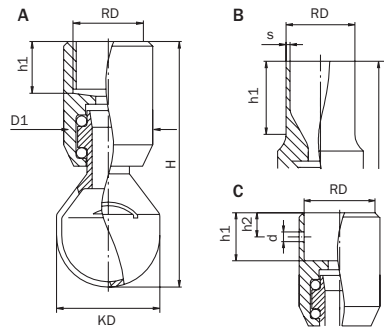
1.4435 (316L)		
DN	Price/EUR	Article no.
6	255,00	665 01 3800 1630
6	255,00	665 01 7200 1530

TANKO® S10, 180° downwards

1.4435 (316L)		
DN	Price/EUR	Article no.
6	255,00	665 01 3800 2630
6	255,00	665 01 7200 2530

TANKO® S20

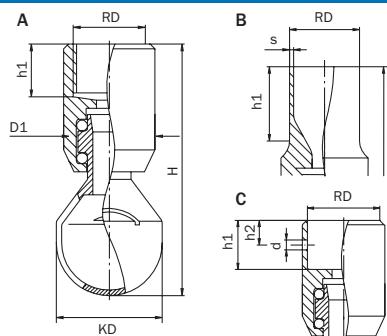
TANKO® S20, 360°



A - Thread B - Weldon C - Clipon
D1 = 14.5 mm (does not apply to all clipon)

Connection	DIN 11866 DIN EN 10357	DN	RD	s	KD	H	h1	h2	d	Weight [kg]
Clipon	Series A (DIN)	8	10.2		17	43	7	3	2.2	0.026
Clipon	Series B (ISO)	6	10.4		17	43	7	3	2.2	0.026
Clipon	Series C (ASME)	8	12.9		17	45	7	3	2.2	0.026
Clipon	Series 1 (DIN 11850) and old series	10	12.2		17	45	7	3	2.2	0.026
Weldon	Series A (DIN)	8	10	1	17	68	27			0.036
Weldon	Series A (DIN)	10	13	1.5	17	68	27			0.047
Weldon	Series B (ISO)	8	13.5	1.6	17	68	27			0.047
Weldon	Series C (ASME)	8	1/2" (12.7)	1.65	17	68	27			0.047
Thread	BSP	6	G 1/8"		17	43	7			0.027
Thread	NPT	6	1/8"		17	43	7			0.027
Thread	NPSM	6	1/8"		17	43	7			0.027

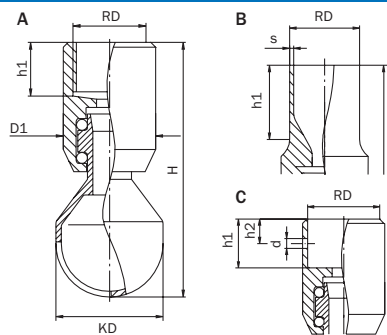
TANKO® S20, 270° upwards



A - Thread B - Weldon C - Clipon
D1 = 14.5 mm (does not apply to all clipon)

Connection	DIN 11866	DN	RD	s	KD	H	h1	h2	d	Weight [kg]
Clipon	Series A (DIN)	8	10.2		17	43	7	3	2.2	0.026
Clipon	Series B (ISO)	6	10.4		17	43	7	3	2.2	0.026
Clipon	Series C (ASME)	8	12.9		17	45	7	3	2.2	0.026
Weldon	Series A (DIN)	8	10	1	17	68	27			0.036
Weldon	Series A (DIN)	10	13	1.5	17	68	27			0.047
Weldon	Series B (ISO)	8	13.5	1.6	17	68	27			0.047
Weldon	Series C (ASME)	8	1/2" (12.7)	1.65	17	68	27			0.047
Thread	BSP	6	G 1/8"		17	43	7			0.027
Thread	NPT	6	1/8"		17	43	7			0.027
Thread	NPSM	6	1/8"		17	43	7			0.027

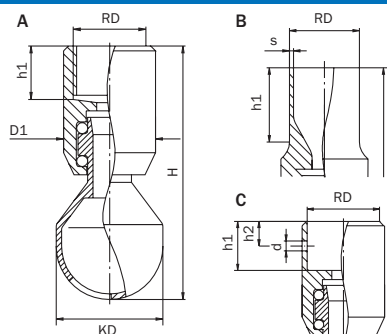
TANKO® S20, 180° downwards



A - Thread B - Weldon C - Clipon
D1 = 14.5 mm (does not apply to all clipon)

Connection	DIN 11866	DN	RD	s	KD	H	h1	h2	d	Weight [kg]
Clipon	Series A (DIN)	8	10.2		17	43	7	3	2.2	0.026
Clipon	Series B (ISO)	6	10.4		17	43	7	3	2.2	0.026
Clipon	Series C (ASME)	8	12.9		17	45	7	3	2.2	0.026
Weldon	Series A (DIN)	8	10	1	17	68	27			0.036
Weldon	Series A (DIN)	10	13	1.5	17	68	27			0.047
Weldon	Series B (ISO)	8	13.5	1.6	17	68	27			0.047
Weldon	Series C (ASME)	8	1/2" (12.7)	1.65	17	68	27			0.047
Thread	BSP	6	G 1/8"		17	43	7			0.027
Thread	NPT	6	1/8"		17	43	7			0.027
Thread	NPSM	6	1/8"		17	43	7			0.027

TANKO® S20, 90° downwards



A - Thread B - Weldon C - Clipon
D1 = 14.5 mm (does not apply to all clipon)

Connection	DIN 11866	DN	RD	s	KD	H	h1	h2	d	Weight [kg]
Clipon	Series A (DIN)	8	10.2		17	43	7	3	2.2	0.026
Clipon	Series B (ISO)	6	10.4		17	43	7	3	2.2	0.026
Clipon	Series C (ASME)	8	12.9		17	45	7	3	2.2	0.026
Weldon	Series A (DIN)	8	10	1	17	68	27			0.036
Weldon	Series A (DIN)	10	13	1.5	17	68	27			0.047
Weldon	Series B (ISO)	8	13.5	1.6	17	68	27			0.047
Weldon	Series C (ASME)	8	1/2" (12.7)	1.65	17	68	27			0.047
Thread	BSP	6	G 1/8"		17	43	7			0.027
Thread	NPT	6	1/8"		17	43	7			0.027
Thread	NPSM	6	1/8"		17	43	7			0.027

TANKO® S20

TANKO® S20, 360°

1.4435 (316L)			2.4602 (HC22)	
DN	Price/EUR	Article no.	Price/EUR	Article no.
8	185,00	665 02 3900 1231	890,00	665 02 3900 1281
6	185,00	665 02 7400 1231	890,00	665 02 7400 1281
8	185,00	665 02 8900 1231		
10	185,00	665 02 A100 1231	890,00	665 02 A100 1281
8	185,00	665 02 3900 1631	890,00	665 02 3900 1681
10	185,00	665 02 4000 1631	890,00	665 02 4000 1681
8	185,00	665 02 7500 1631	890,00	665 02 7500 1681
8	185,00	665 02 8900 1631	890,00	665 02 8900 1681
6	185,00	665 02 7400 1331	890,00	665 02 7400 1381
6	185,00	665 02 7400 1431	890,00	665 02 7400 1481
6	185,00	665 02 7400 1A31	890,00	665 02 7400 1A81

TANKO® S20, 270° upwards

1.4435 (316L)			2.4602 (HC22)	
DN	Price/EUR	Article no.	Price/EUR	Article no.
8	185,00	665 02 3900 6231	890,00	665 02 3900 6281
6	185,00	665 02 7400 6231	890,00	665 02 7400 6281
8	185,00	665 02 8900 6231		
8	185,00	665 02 3900 6631	890,00	665 02 3900 6681
10	185,00	665 02 4000 6631	890,00	665 02 4000 6681
8	185,00	665 02 7500 6631	890,00	665 02 7500 6681
8	185,00	665 02 8900 6631	890,00	665 02 8900 6681
6	185,00	665 02 7400 6331	890,00	665 02 7400 6381
6	185,00	665 02 7400 6431	890,00	665 02 7400 6481
6	185,00	665 02 7400 6A31	890,00	665 02 7400 6A81

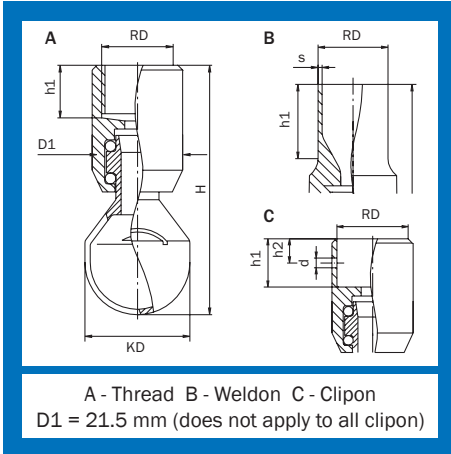
TANKO® S20, 180° downwards

1.4435 (316L)			2.4602 (HC22)	
DN	Price/EUR	Article no.	Price/EUR	Article no.
8	185,00	665 02 3900 2231	890,00	665 02 3900 2281
6	185,00	665 02 7400 2231	890,00	665 02 7400 2281
8	185,00	665 02 8900 2231		
8	185,00	665 02 3900 2631	890,00	665 02 3900 2681
10	185,00	665 02 4000 2631	890,00	665 02 4000 2681
8	185,00	665 02 7500 2631	890,00	665 02 7500 2681
8	185,00	665 02 8900 2631	890,00	665 02 8900 2681
6	185,00	665 02 7400 2331	890,00	665 02 7400 2381
6	185,00	665 02 7400 2431	890,00	665 02 7400 2481
6	185,00	665 02 7400 2A31	890,00	665 02 7400 2A81

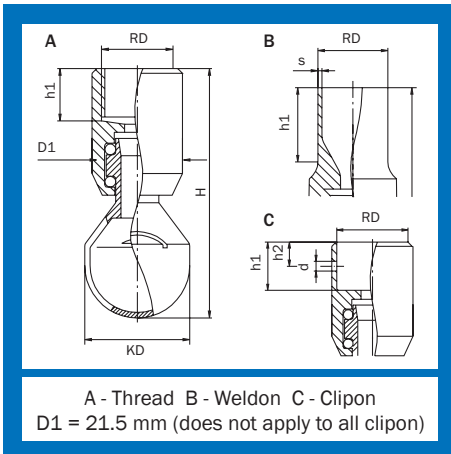
TANKO® S20, 90° downwards

1.4435 (316L)			2.4602 (HC22)	
DN	Price/EUR	Article no.	Price/EUR	Article no.
8	185,00	665 02 3900 3231	890,00	665 02 3900 3281
6	185,00	665 02 7400 3231	890,00	665 02 7400 3281
8	185,00	665 02 8900 3231		
8	185,00	665 02 3900 3631	890,00	665 02 3900 3681
10	185,00	665 02 4000 3631	890,00	665 02 4000 3681
8	185,00	665 02 7500 3631	890,00	665 02 7500 3681
8	185,00	665 02 8900 3631	890,00	665 02 8900 3681
6	185,00	665 02 7400 3331	890,00	665 02 7400 3381
6	185,00	665 02 7400 3431	890,00	665 02 7400 3481
6	185,00	665 02 7400 3A31	890,00	665 02 7400 3A81

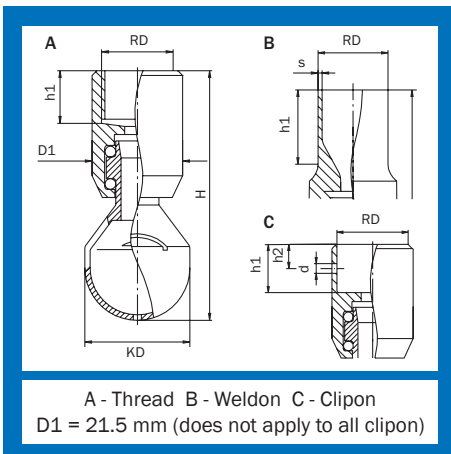
TANKO® S30



TANKO® S30, 360°										
Connection	DIN 11866	DN	RD	s	KD	H	h1	h2	d	Weight [kg]
Clipon	Series A (DIN)	15	19.3		28	60	10.5	5	2.2	0.081
Clipon	Series B (ISO)	10	17.5		28	60	10.5	5	2.2	0.084
Clipon	Series B (ISO)	15	21.6		28	63	10.5	5	2.2	0.095
Clipon	Series C (ASME)	15	19.3		28	60	10.5	5	2.2	0.081
Clipon	Series 1 (DIN 11850) old series	15	18.3		28	60	10.5	5	2.2	0.083
Weldon	Series A (DIN)	15	19	1.5	28	85	26			0.123
Weldon	Series B (ISO)	10	17.2	1.6	28	85	26			0.117
Weldon	Series B (ISO)	15	21.3	1.6	28	85	26			0.132
Weldon	Series C (ASME)	15	3/4" (19.05)	1.65	28	85	26			0.127
Thread	BSP	8	G 1/4"		28	60	10.5			0.090
Thread	BSP	10	G 3/8"		28	60	10.5			0.095
Thread	NPT	8	1/4"		28	60	10.5			0.090
Thread	NPT	10	3/8"		28	60	10.5			0.095
Thread	NPSM	10	3/8"		28	60	10.5			0.095



TANKO® S30, 270° upwards										
Connection	DIN 11866	DN	RD	s	KD	H	h1	h2	d	Weight [kg]
Clipon	Series A (DIN)	15	19.3		28	60	10.5	5	2.2	0.081
Clipon	Series B (ISO)	10	17.5		28	60	10.5	5	2.2	0.084
Clipon	Series B (ISO)	15	21.6		28	63	10.5	5	2.2	0.095
Clipon	Series C (ASME)	15	19.3		28	60	10.5	5	2.2	0.081
Clipon	Series 1 (DIN 11850) and old series	15	18.3		28	60	10.5	5	2.2	0.083
Weldon	Series A (DIN)	15	19	1.5	28	85	26			0.123
Weldon	Series B (ISO)	10	17.2	1.6	28	85	26			0.117
Weldon	Series B (ISO)	15	21.3	1.6	28	85	26			0.132
Weldon	Series C (ASME)	15	3/4" (19.05)	1.65	28	85	26			0.127
Thread	BSP	8	G 1/4"		28	60	10.5			0.090
Thread	BSP	10	G 3/8"		28	60	10.5			0.095
Thread	NPT	8	1/4"		28	60	10.5			0.090
Thread	NPT	10	3/8"		28	60	10.5			0.095
Thread	NPSM	10	3/8"		28	60	10.5			0.095



TANKO® S30, 180° upwards										
Connection	DIN 11866	DN	RD	s	KD	H	h1	h2	d	Weight [kg]
Clipon	Series A (DIN)	15	19.3		28	60	10.5	5	2.2	0.081
Clipon	Series B (ISO)	10	17.5		28	60	10.5	5	2.2	0.084
Clipon	Series B (ISO)	15	21.6		28	63	10.5	5	2.2	0.095
Clipon	Series C (ASME)	15	19.3		28	60	10.5	5	2.2	0.081
Clipon	Series 1 (DIN 11850) and old series	15	18.3		28	60	10.5	5	2.2	0.083
Weldon	Series A (DIN)	15	19	1.5	28	85	26			0.123
Weldon	Series B (ISO)	10	17.2	1.6	28	85	26			0.117
Weldon	Series B (ISO)	15	21.3	1.6	28	85	26			0.132
Weldon	Series C (ASME)	15	3/4" (19.05)	1.65	28	85	26			0.127
Thread	BSP	8	G 1/4"		28	60	10.5			0.090
Thread	BSP	10	G 3/8"		28	60	10.5			0.095
Thread	NPT	8	1/4"		28	60	10.5			0.090
Thread	NPT	10	3/8"		28	60	10.5			0.095
Thread	NPSM	10	3/8"		28	60	10.5			0.095

TANKO® S30

TANKO® S30, 360°

1.4435 (316L)			2.4602 (HC22)	
DN	Price/EUR	Article no.	Price/EUR	Article no.
15	185,00	665 03 4100 1231	890,00	665 03 4100 1281
10	185,00	665 03 7600 1231	890,00	665 03 7600 1281
15	185,00	665 03 7700 1231	890,00	665 03 7700 1281
15	185,00	665 03 9000 1231	890,00	665 03 9000 1281
15	185,00	665 03 A200 1231	890,00	665 03 A200 1281
15	185,00	665 03 4100 1631	890,00	665 03 4100 1681
10	185,00	665 03 7600 1631	890,00	665 03 7600 1681
15	185,00	665 03 7700 1631	890,00	665 03 7700 1681
15	185,00	665 03 9000 1631	890,00	665 03 9000 1681
8	185,00	665 03 7500 1331	890,00	665 03 7500 1381
10	185,00	665 03 7600 1331	890,00	665 03 7600 1381
8	185,00	665 03 7500 1431	890,00	665 03 7500 1481
10	185,00	665 03 7600 1431	890,00	665 03 7600 1481
10	185,00	665 03 7600 1A31	890,00	665 03 7600 1A81

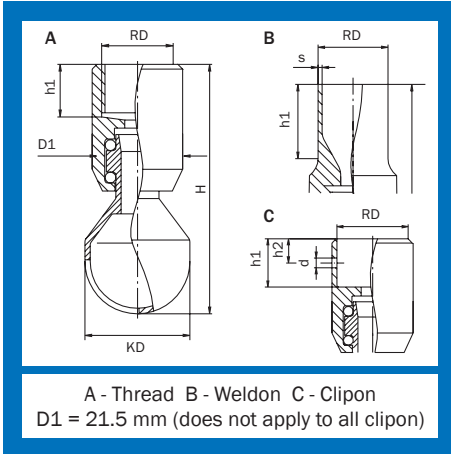
TANKO® S30, 270° upwards

1.4435 (316L)			2.4602 (HC22)	
DN	Price/EUR	Article no.	Price/EUR	Article no.
15	185,00	665 03 4100 6231	890,00	665 03 4100 6281
10	185,00	665 03 7600 6231	890,00	665 03 7600 6281
15	185,00	665 03 7700 6231	890,00	665 03 7700 6281
15	185,00	665 03 9000 6231	890,00	665 03 9000 6281
15	185,00	665 03 A200 6231	890,00	665 03 A200 6281
15	185,00	665 03 4100 6631	890,00	665 03 4100 6681
10	185,00	665 03 7600 6631	890,00	665 03 7600 6681
15	185,00	665 03 7700 6631	890,00	665 03 7700 6681
15	185,00	665 03 9000 6631	890,00	665 03 9000 6681
8	185,00	665 03 7500 6331	890,00	665 03 7500 6381
10	185,00	665 03 7600 6331	890,00	665 03 7600 6381
8	185,00	665 03 7500 6431	890,00	665 03 7500 6481
10	185,00	665 03 7600 6431	890,00	665 03 7600 6481
10	185,00	665 03 7600 6A31	890,00	665 03 7600 6A81

TANKO® S30, 180° upwards

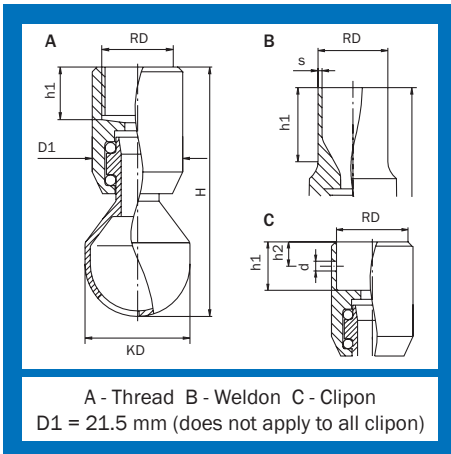
1.4435 (316L)			2.4602 (HC22)	
DN	Price/EUR	Article no.	Price/EUR	Article no.
15	185,00	665 03 4100 7231	890,00	665 03 4100 7281
10	185,00	665 03 7600 7231	890,00	665 03 7600 7281
15	185,00	665 03 7700 7231	890,00	665 03 7700 7281
15	185,00	665 03 9000 7231	890,00	665 03 9000 7281
15	185,00	665 03 A200 7231	890,00	665 03 A200 7281
15	185,00	665 03 4100 7631	890,00	665 03 4100 7681
10	185,00	665 03 7600 7631	890,00	665 03 7600 7681
15	185,00	665 03 7700 7631	890,00	665 03 7700 7681
15	185,00	665 03 9000 7631	890,00	665 03 9000 7681
8	185,00	665 03 7500 7331	890,00	665 03 7500 7381
10	185,00	665 03 7600 7331	890,00	665 03 7600 7381
8	185,00	665 03 7500 7431	890,00	665 03 7500 7481
10	185,00	665 03 7600 7431	890,00	665 03 7600 7481
10	185,00	665 03 7600 7A31	890,00	665 03 7600 7A81

TANKO® S30



TANKO® S30, 180° downwards

Connection	DIN 11866	DN	RD	s	KD	H	h1	h2	d	Weight [kg]
Clipon	Series A (DIN)	15	19.3		28	60	10.5	5	2.2	0.081
Clipon	Series B (ISO)	10	17.5		28	60	10.5	5	2.2	0.084
Clipon	Series B (ISO)	15	21.6		28	63	10.5	5	2.2	0.095
Clipon	Series C (ASME)	15	19.3		28	60	10.5	5	2.2	0.081
Clipon	Series 1 (DIN 11850) and old series	15	18.3		28	60	10.5	5	2.2	0.083
Weldon	Series A (DIN)	15	19	1.5	28	85	26			0.123
Weldon	Series B (ISO)	10	17.2	1.6	28	85	26			0.117
Weldon	Series B (ISO)	15	21.3	1.6	28	85	26			0.132
Weldon	Series C (ASME)	15	3/4" (19.05)	1.65	28	85	26			0.127
Thread	BSP	8	G 1/4"		28	60	10.5			0.090
Thread	BSP	10	G 3/8"		28	60	10.5			0.095
Thread	NPT	8	1/4"		28	60	10.5			0.090
Thread	NPT	10	3/8"		28	60	10.5			0.095
Thread	NPSM	10	3/8"		28	60	10.5			0.095



TANKO® S30, 90° downwards

Connection	DIN 11866	DN	RD	s	KD	H	h1	h2	d	Weight [kg]
Clipon	Series A (DIN)	15	19.3		28	60	10.5	5	2.2	0.081
Clipon	Series B (ISO)	10	17.5		28	60	10.5	5	2.2	0.084
Clipon	Series B (ISO)	15	21.6		28	63	10.5	5	2.2	0.095
Clipon	Series C (ASME)	15	19.3		28	60	10.5	5	2.2	0.081
Clipon	Series 1 (DIN 11850) and old series	15	18.3		28	60	10.5	5	2.2	0.083
Weldon	Series A (DIN)	15	19	1.5	28	85	26			0.123
Weldon	Series B (ISO)	10	17.2	1.6	28	85	26			0.117
Weldon	Series B (ISO)	15	21.3	1.6	28	85	26			0.132
Weldon	Series C (ASME)	15	3/4" (19.05)	1.65	28	85	26			0.127
Thread	BSP	8	G 1/4"		28	60	10.5			0.090
Thread	BSP	10	G 3/8"		28	60	10.5			0.095
Thread	NPT	8	1/4"		28	60	10.5			0.090
Thread	NPT	10	3/8"		28	60	10.5			0.095
Thread	NPSM	10	3/8"		28	60	10.5			0.095

TANKO® S30

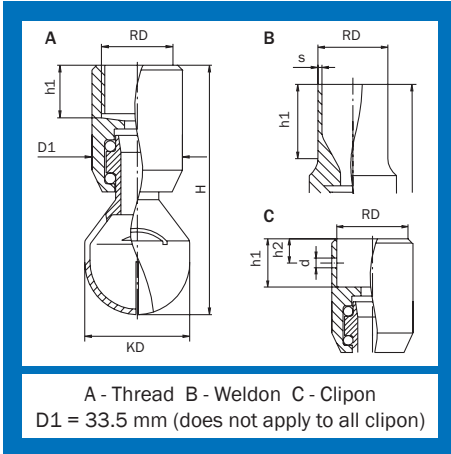
TANKO® S30, 180° downwards

1.4435 (316L)			2.4602 (HC22)		
DN	Price/EUR	Article no.	Price/EUR	Article no.	
15	185,00	665 03 4100 2231	890,00	665 03 4100 2281	
10	185,00	665 03 7600 2231	890,00	665 03 7600 2281	
15	185,00	665 03 7700 2231	890,00	665 03 7700 2281	
15	185,00	665 03 9000 2231	890,00	665 03 9000 2281	
15	185,00	665 03 A200 2231	890,00	665 03 A200 2281	
15	185,00	665 03 4100 2631	890,00	665 03 4100 2681	
10	185,00	665 03 7600 2631	890,00	665 03 7600 2681	
15	185,00	665 03 7700 2631	890,00	665 03 7700 2681	
15	185,00	665 03 9000 2631	890,00	665 03 9000 2681	
8	185,00	665 03 7500 2331	890,00	665 03 7500 2381	
10	185,00	665 03 7600 2331	890,00	665 03 7600 2381	
8	185,00	665 03 7500 2431	890,00	665 03 7500 2481	
10	185,00	665 03 7600 2431	890,00	665 03 7600 2481	
10	185,00	665 03 7600 2A31	890,00	665 03 7600 2A81	

TANKO® S30, 90° downwards

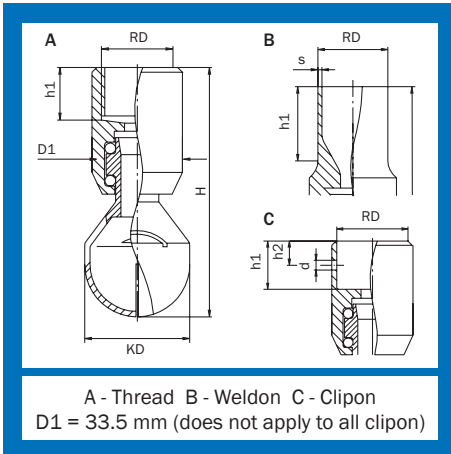
1.4435 (316L)			2.4602 (HC22)		
DN	Price/EUR	Article no.	Price/EUR	Article no.	
15	185,00	665 03 4100 3231	890,00	665 03 4100 3281	
10	185,00	665 03 7600 3231	890,00	665 03 7600 3281	
15	185,00	665 03 7700 3231	890,00	665 03 7700 3281	
15	185,00	665 03 9000 3231	890,00	665 03 9000 3281	
15	185,00	665 03 A200 3231	890,00	665 03 A200 3281	
15	185,00	665 03 4100 3631	890,00	665 03 4100 3681	
10	185,00	665 03 7600 3631	890,00	665 03 7600 3681	
15	185,00	665 03 7700 3631	890,00	665 03 7700 3681	
15	185,00	665 03 9000 3631	890,00	665 03 9000 3681	
8	185,00	665 03 7500 3331	890,00	665 03 7500 3381	
10	185,00	665 03 7600 3331	890,00	665 03 7600 3381	
8	185,00	665 03 7500 3431	890,00	665 03 7500 3481	
10	185,00	665 03 7600 3431	890,00	665 03 7600 3481	
10	185,00	665 03 7600 3A31	890,00	665 03 7600 3A81	

TANKO® S40



TANKO® S40, 360°

Connection	DIN 11866	DN	RD	s	KD	H	h1	h2	d	Weight [kg]
Clipon	Series A (DIN)	20	23.5		39	93	19	10	4	0.286
Clipon	Series A (DIN)	25	29.5		39	93	19	10	4	0.248
Clipon	Series B (ISO)	20	27.5		39	93	19	10	4	0.262
Clipon	Series B (ISO)	25	34.2		39	93	19	10	4	0.257
Clipon	Series C (ASME)	20	26		39	93	19	10	4	0.271
Clipon	Series 1 (DIN 11850) and old series	20	22.6		39	93	19	10	4	0.288
Clipon	Series 1 (DIN 11850)	25	28.5		39	93	19	10	4	0.251
Clipon	SMS pipe	20	25.3		39	93	19	10	4	0.275
Weldon	Series A (DIN)	15	19	1.5	39	108	27			0.260
Weldon	Series A (DIN)	20	23	1.5	39	108	27			0.273
Weldon	Series A (DIN)	25	29	1.5	39	108	29			0.294
Weldon	Series B (ISO)	20	26.9	1.6	39	108	28			0.288
Weldon	Series B (ISO)	25	33.7	2	39	108	34			0.323
Weldon	Series SMS	20	25	1.2	39	108	28			0.279
Weldon	Series C (ASME)	15	3/4" (19.05)	1.65	39	108	27			0.262
Weldon	Series C (ASME)	20	1" (25.4)	1.65	39	108	28			0.283
Thread	BSP	15	G 1/2"		39	93	19			0.303
Thread	BSP	20	G 3/4"		39	93	19			0.283
Thread	NPT	15	1/2"		39	93	19			0.303
Thread	NPT	20	3/4"		39	93	19			0.283
Thread	NPSM	20	3/4"		39	93	19			0.283



TANKO® S40, 360° HF special slot width

Connection	DIN 11866	DN	RD	s	KD	H	h1	h2	d	Weight [kg]
Clipon	Series A (DIN)	20	23.5		39	93	19	10	4	0.281
Clipon	Series A (DIN)	25	29.5		39	93	19	10	4	0.243
Clipon	Series B (ISO)	20	27.5		39	93	19	10	4	0.257
Clipon	Series B (ISO)	25	34.2		39	93	19	10	4	0.252
Clipon	Series C (ASME)	20	26		39	93	19	10	4	0.266
Clipon	Series 1 (DIN 11850) and old series	20	22.6		39	93	19	10	4	0.283
Clipon	Series 1 (DIN 11850)	25	28.5		39	93	19	10	4	0.251
Clipon	Series SMS	20	25.3		39	93	19	10	4	0.270
Weldon	Series A (DIN)	15	19	1.5	39	108	27			0.256
Weldon	Series A (DIN)	20	23	1.5	39	108	27			0.268
Weldon	Series A (DIN)	25	29	1.5	39	108	29			0.289
Weldon	Series B (ISO)	20	26.9	1.6	39	108	28			0.282
Weldon	Series B (ISO)	25	33.7	2	39	108	34			0.315
Weldon	Series C (ASME)	15	3/4" (19.05)	1.65	39	108	28			0.260
Weldon	Series C (ASME)	20	1" (25.4)	1.65	39	108	28			0.277
Weldon	Series SMS	20	25	1.2	39	108	28			0.277
Thread	BSP	15	G 1/2"		39	93	19			0.303
Thread	BSP	20	G 3/4"		39	93	19			0.283
Thread	NPT	15	1/2"		39	93	19			0.303
Thread	NPT	20	3/4"		39	93	19			0.283
Thread	NPSM	20	3/4"		39	93	19			0.283

TANKO® S40

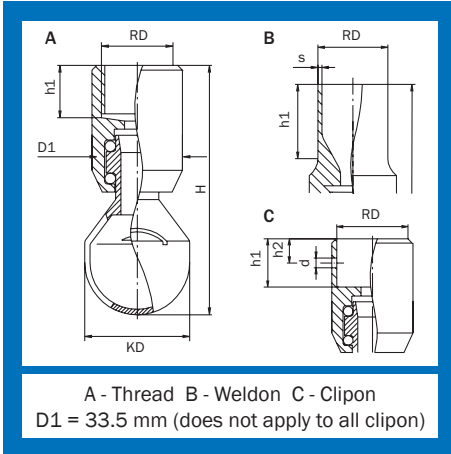
TANKO® S40, 360°

1.4435 (316L)		1.4404 (316L)		2.4602 (HC22)		
DN	Price/EUR	Article no.	Price/EUR	Article no.	Price/EUR	Article no.
20	273,00	665 04 4200 1231	195,00	665 04 4200 1221	940,00	665 04 4200 1281
25	273,00	665 04 4300 1231	195,00	665 04 4300 1221	940,00	665 04 4300 1281
20	273,00	665 04 7800 1231	195,00	665 04 7800 1221	940,00	665 04 7800 1281
25	273,00	665 04 7900 1231	195,00	665 04 7900 1221	940,00	665 04 7900 1281
20	273,00	665 04 9100 1231	195,00	665 04 9100 1221	940,00	665 04 9100 1281
20	273,00	665 04 A300 1231	195,00	665 04 A300 1221	940,00	665 04 A300 1281
25	273,00	665 04 A400 1231	195,00	665 04 A400 1221	940,00	665 04 A400 1281
20	273,00	665 04 B200 1231	195,00	665 04 B200 1221	940,00	665 04 B200 1281
15	273,00	665 04 4100 1631	195,00	665 04 4100 1621	940,00	665 04 4100 1681
20	273,00	665 04 4200 1631	195,00	665 04 4200 1621	940,00	665 04 4200 1681
25	273,00	665 04 4300 1631	195,00	665 04 4300 1621	940,00	665 04 4300 1681
20	273,00	665 04 7800 1631	195,00	665 04 7800 1621	940,00	665 04 7800 1681
25	273,00	665 04 7900 1631	195,00	665 04 7900 1621	940,00	665 04 7900 1681
20	273,00	665 04 B200 1631	195,00	665 04 B200 1621	940,00	665 04 B200 1681
15	273,00	665 04 9000 1631	195,00	665 04 9000 1621	940,00	665 04 9000 1681
20	273,00	665 04 9100 1631	195,00	665 04 9100 1621	940,00	665 04 9100 1681
15	273,00	665 04 7700 1331	195,00	665 04 7700 1321	940,00	665 04 7700 1381
20	273,00	665 04 7800 1331	195,00	665 04 7800 1321	940,00	665 04 7800 1381
15	273,00	665 04 7700 1431	195,00	665 04 7700 1421	940,00	665 04 7700 1481
20	273,00	665 04 7800 1431	195,00	665 04 7800 1421	940,00	665 04 7800 1481
20	273,00	665 04 7800 1A31	195,00	665 04 7800 1A21	940,00	665 04 7800 1A81

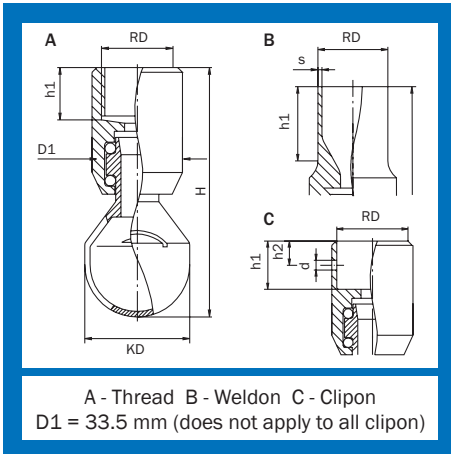
TANKO® S40, 360° HF special slot width

1.4435 (316L)		1.4404 (316L)		2.4602 (HC22)		
DN	Price/EUR	Article no.	Price/EUR	Article no.	Price/EUR	Article no.
20	273,00	665 14 4200 1231	195,00	665 14 4200 1221	940,00	665 14 4200 1281
25	273,00	665 14 4300 1231	195,00	665 14 4300 1221	940,00	665 14 4300 1281
20	273,00	665 14 7800 1231	195,00	665 14 7800 1221	940,00	665 14 7800 1281
25	273,00	665 14 7900 1231	195,00	665 14 7900 1221	940,00	665 14 7900 1281
20	273,00	665 14 9100 1231	195,00	665 14 9100 1221	940,00	665 14 9100 1281
20	273,00	665 14 A300 1231	195,00	665 14 A300 1221	940,00	665 14 A300 1281
25	273,00	665 14 A400 1231	195,00	665 14 A400 1221	940,00	665 14 A400 1281
20	273,00	665 14 B200 1231	195,00	665 14 B200 1221	940,00	665 14 B200 1281
15	273,00	665 14 4100 1631	195,00	665 14 4100 1621	940,00	665 14 4100 1681
20	273,00	665 14 4200 1631	195,00	665 14 4200 1621	940,00	665 14 4200 1681
25	273,00	665 14 4300 1631	195,00	665 14 4300 1621	940,00	665 14 4300 1681
20	273,00	665 14 7800 1631	195,00	665 14 7800 1621	940,00	665 14 7800 1681
25	273,00	665 14 7900 1631	195,00	665 14 7900 1621	940,00	665 14 7900 1681
15	273,00	665 14 9000 1631	195,00	665 14 9000 1621	940,00	665 14 9000 1681
20	273,00	665 14 9100 1631	195,00	665 14 9100 1621	940,00	665 14 9100 1681
20	273,00	665 14 B200 1631	195,00	665 14 B200 1621	940,00	665 14 B200 1681
15	273,00	665 14 7700 1331	195,00	665 14 7700 1321	940,00	665 14 7700 1381
20	273,00	665 14 7800 1331	195,00	665 14 7800 1321	940,00	665 14 7800 1381
15	273,00	665 14 7700 1431	195,00	665 14 7700 1421	940,00	665 14 7700 1481
20	273,00	665 14 7800 1431	195,00	665 14 7800 1421	940,00	665 14 7800 1481
20	273,00	665 14 7800 1A31	195,00	665 14 7800 1A21	940,00	665 14 7800 1A81

TANKO® S40



TANKO® S40, 270° upwards										
Connection	DIN 11866	DN	RD	s	KD	H	h1	h2	d	Weight [kg]
Clipon	Series A (DIN)	20	23.5		39	93	19	10	4	0.286
Clipon	Series A (DIN)	25	29.5		39	93	19	10	4	0.248
Clipon	Series B (ISO)	20	27.5		39	93	19	10	4	0.262
Clipon	Series B (ISO)	25	34.2		39	93	19	10	4	0.257
Clipon	Series C (ASME)	20	26		39	93	19	10	4	0.271
Clipon	Series 1 (DIN 11850) and old series	20	22.6		39	93	19	10	4	0.288
Clipon	Series 1 (DIN 11850)	25	28.5		39	93	19	10	4	0.251
Clipon	SMS pipe	20	25.3		39	93	19	10	4	0.275
Weldon	Series A (DIN)	15	19	1.5	39	108	27			0.260
Weldon	Series A (DIN)	20	23	1.5	39	108	27			0.273
Weldon	Series A (DIN)	25	29	1.5	39	108	29			0.294
Weldon	Series B (ISO)	20	26.9	1.6	39	108	28			0.288
Weldon	Series B (ISO)	25	33.7	2	39	108	34			0.323
Weldon	Series SMS	20	25	1.2	39	108	28			0.279
Weldon	Series C (ASME)	15	3/4" (19.05)	1.65	39	108	27			0.262
Weldon	Series C (ASME)	20	1" (25.4)	1.65	39	108	28			0.283
Thread	BSP	15	G 1/2"		39	93	19			0.303
Thread	BSP	20	G 3/4"		39	93	19			0.283
Thread	NPT	15	1/2"		39	93	19			0.303
Thread	NPT	20	3/4"		39	93	19			0.283
Thread	NPSM	20	3/4"		39	93	19			0.283



TANKO® S40, 180° upwards										
Connection	DIN 11866	DN	RD	s	KD	H	h1	h2	d	Weight [kg]
Clipon	Series A (DIN)	20	23.5		39	93	19	10	4	0.286
Clipon	Series A (DIN)	25	29.5		39	93	19	10	4	0.248
Clipon	Series B (ISO)	20	27.5		39	93	19	10	4	0.262
Clipon	Series B (ISO)	25	34.2		39	93	19	10	4	0.257
Clipon	Series C (ASME)	20	26		39	93	19	10	4	0.271
Clipon	Series 1 (DIN 11850) and old series	20	22.6		39	93	19	10	4	0.288
Clipon	Series 1 (DIN 11850)	25	28.5		39	93	19	10	4	0.251
Clipon	SMS pipe	20	25.3		39	93	19	10	4	0.275
Weldon	Series A (DIN)	15	19	1.5	39	108	27			0.260
Weldon	Series A (DIN)	20	23	1.5	39	108	27			0.273
Weldon	Series A (DIN)	25	29	1.5	39	108	29			0.294
Weldon	Series B (ISO)	20	26.9	1.6	39	108	28			0.288
Weldon	Series B (ISO)	25	33.7	2	39	108	34			0.323
Weldon	Series SMS	20	25	1.2	39	108	28			0.279
Weldon	Series C (ASME)	15	3/4" (19.05)	1.65	39	108	27			0.262
Weldon	Series C (ASME)	20	1" (25.4)	1.65	39	108	28			0.283
Thread	BSP	15	G 1/2"		39	93	19			0.303
Thread	BSP	20	G 3/4"		39	93	19			0.283
Thread	NPT	15	1/2"		39	93	19			0.303
Thread	NPT	20	3/4"		39	93	19			0.283
Thread	NPSM	20	3/4"		39	93	19			0.283

TANKO® S40

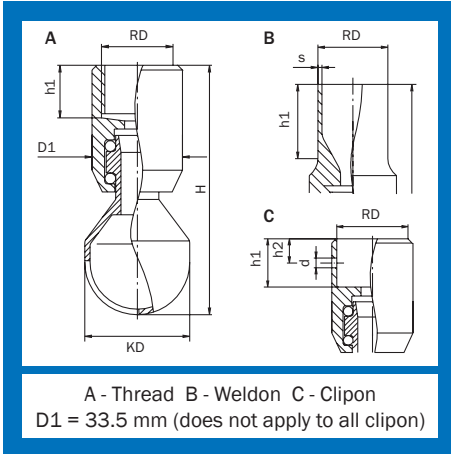
TANKO® S40, 270° upwards

1.4435 (316L)		1.4404 (316L)		2.4602 (HC22)		
DN	Price/EUR	Article no.	Price/EUR	Article no.	Price/EUR	Article no.
20	273,00	665 04 4200 6231	195,00	665 04 4200 6221	940,00	665 04 4200 6281
25	273,00	665 04 4300 6231	195,00	665 04 4300 6221	940,00	665 04 4300 6281
20	273,00	665 04 7800 6231	195,00	665 04 7800 6221	940,00	665 04 7800 6281
25	273,00	665 04 7900 6231	195,00	665 04 7900 6221	940,00	665 04 7900 6281
20	273,00	665 04 9100 6231	195,00	665 04 9100 6221	940,00	665 04 9100 6281
20	273,00	665 04 A300 6231	195,00	665 04 A300 6221	940,00	665 04 A300 6281
25	273,00	665 04 A400 6231	195,00	665 04 A400 6221	940,00	665 04 A400 6281
20	273,00	665 04 B200 6231	195,00	665 04 B200 6221	940,00	665 04 B200 6281
15	273,00	665 04 4100 6631	195,00	665 04 4100 6621	940,00	665 04 4100 6681
20	273,00	665 04 4200 6631	195,00	665 04 4200 6621	940,00	665 04 4200 6681
25	273,00	665 04 4300 6631	195,00	665 04 4300 6621	940,00	665 04 4300 6681
20	273,00	665 04 7800 6631	195,00	665 04 7800 6621	940,00	665 04 7800 6681
25	273,00	665 04 7900 6631	195,00	665 04 7900 6621	940,00	665 04 7900 6681
20	273,00	665 04 B200 6631	195,00	665 04 B200 6621	940,00	665 04 B200 6681
15	273,00	665 04 9000 6631	195,00	665 04 9000 6621	940,00	665 04 9000 6681
20	273,00	665 04 9100 6631	195,00	665 04 9100 6621	940,00	665 04 9100 6681
15	273,00	665 04 7700 6331	195,00	665 04 7700 6321	940,00	665 04 7700 6381
20	273,00	665 04 7800 6331	195,00	665 04 7800 6321	940,00	665 04 7800 6381
15	273,00	665 04 7700 6431	195,00	665 04 7700 6421	940,00	665 04 7700 6481
20	273,00	665 04 7800 6431	195,00	665 04 7800 6421	940,00	665 04 7800 6481
20	273,00	665 04 7800 6A31	195,00	665 04 7800 6A21	940,00	665 04 7800 6A81

TANKO® S40, 180° upwards

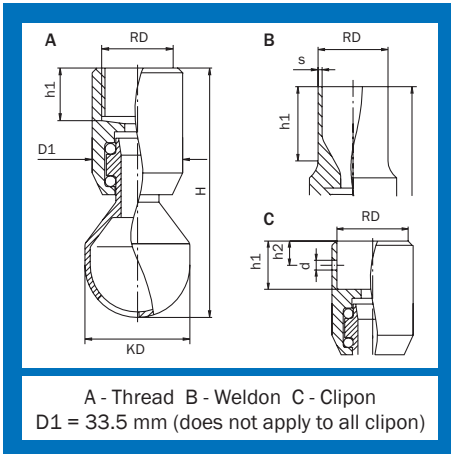
1.4435 (316L)		1.4404 (316L)		2.4602 (HC22)		
DN	Price/EUR	Article no.	Price/EUR	Article no.	Price/EUR	Article no.
20	273,00	665 04 4200 7231	195,00	665 04 4200 7221	940,00	665 04 4200 7281
25	273,00	665 04 4300 7231	195,00	665 04 4300 7221	940,00	665 04 4300 7281
20	273,00	665 04 7800 7231	195,00	665 04 7800 7221	940,00	665 04 7800 7281
25	273,00	665 04 7900 7231	195,00	665 04 7900 7221	940,00	665 04 7900 7281
20	273,00	665 04 9100 7231	195,00	665 04 9100 7221	940,00	665 04 9100 7281
20	273,00	665 04 A300 7231	195,00	665 04 A300 7221	940,00	665 04 A300 7281
25	273,00	665 04 A400 7231	195,00	665 04 A400 7221	940,00	665 04 A400 7281
20	273,00	665 04 B200 7231	195,00	665 04 B200 7221	940,00	665 04 B200 7281
15	273,00	665 04 4100 7631	195,00	665 04 4100 7621	940,00	665 04 4100 7681
20	273,00	665 04 4200 7631	195,00	665 04 4200 7621	940,00	665 04 4200 7681
25	273,00	665 04 4300 7631	195,00	665 04 4300 7621	940,00	665 04 4300 7681
20	273,00	665 04 7800 7631	195,00	665 04 7800 7621	940,00	665 04 7800 7681
25	273,00	665 04 7900 7631	195,00	665 04 7900 7621	940,00	665 04 7900 7681
20	273,00	665 04 B200 7631	195,00	665 04 B200 7621	940,00	665 04 B200 7681
15	273,00	665 04 9000 7631	195,00	665 04 9000 7621	940,00	665 04 9000 7681
20	273,00	665 04 9100 7631	195,00	665 04 9100 7621	940,00	665 04 9100 7681
15	273,00	665 04 7700 7331	195,00	665 04 7700 7321	940,00	665 04 7700 7381
20	273,00	665 04 7800 7331	195,00	665 04 7800 7321	940,00	665 04 7800 7381
15	273,00	665 04 7700 7431	195,00	665 04 7700 7421	940,00	665 04 7700 7481
20	273,00	665 04 7800 7431	195,00	665 04 7800 7421	940,00	665 04 7800 7481
20	273,00	665 04 7800 7A31	195,00	665 04 7800 7A21	940,00	665 04 7800 7A81

TANKO® S40



TANKO® S40, 180° downwards

Connection	DIN 11866	DN	RD	s	KD	H	h1	h2	d	Weight [kg]
Clipon	Series A (DIN)	20	23.5		39	93	19	10	4	0.286
Clipon	Series A (DIN)	25	29.5		39	93	19	10	4	0.248
Clipon	Series B (ISO)	20	27.5		39	93	19	10	4	0.262
Clipon	Series B (ISO)	25	34.2		39	93	19	10	4	0.257
Clipon	Series C (ASME)	20	26		39	93	19	10	4	0.271
Clipon	Series 1 (DIN 11850) and old series	20	22.6		39	93	19	10	4	0.288
Clipon	Series 1 (DIN 11850)	25	28.5		39	93	19	10	4	0.251
Clipon	SMS pipe	20	25.3		39	93	19	10	4	0.275
Weldon	Series A (DIN)	15	19	1.5	39	108	27			0.260
Weldon	Series A (DIN)	20	23	1.5	39	108	27			0.273
Weldon	Series A (DIN)	25	29	1.5	39	108	29			0.294
Weldon	Series B (ISO)	20	26.9	1.6	39	108	28			0.288
Weldon	Series B (ISO)	25	33.7	2	39	108	34			0.323
Weldon	Series SMS	20	25	1.2	39	108	28			0.279
Weldon	Series C (ASME)	15	3/4" (19.05)	1.65	39	108	27			0.262
Weldon	Series C (ASME)	20	1" (25.4)	1.65	39	108	28			0.283
Thread	BSP	15	G 1/2"		39	93	19			0.303
Thread	BSP	20	G 3/4"		39	93	19			0.283
Thread	NPT	15	1/2"		39	93	19			0.303
Thread	NPT	20	3/4"		39	93	19			0.283
Thread	NPSM	20	3/4"		39	93	19			0.283



TANKO® S40, 90° downwards

Connection	DIN 11866	DN	RD	s	KD	H	h1	h2	d	Weight [kg]
Clipon	Series A (DIN)	20	23.5		39	93	19	10	4	0.286
Clipon	Series A (DIN)	25	29.5		39	93	19	10	4	0.248
Clipon	Series B (ISO)	20	27.5		39	93	19	10	4	0.262
Clipon	Series B (ISO)	25	34.2		39	93	19	10	4	0.257
Clipon	Series C (ASME)	20	26		39	93	19	10	4	0.271
Clipon	Series 1 (DIN 11850) and old series	20	22.6		39	93	19	10	4	0.288
Clipon	Series 1 (DIN 11850)	25	28.5		39	93	19	10	4	0.251
Clipon	SMS pipe	20	25.3		39	93	19	10	4	0.275
Weldon	Series A (DIN)	15	19	1.5	39	108	27			0.260
Weldon	Series A (DIN)	20	23	1.5	39	108	27			0.273
Weldon	Series A (DIN)	25	29	1.5	39	108	29			0.294
Weldon	Series B (ISO)	20	26.9	1.6	39	108	28			0.288
Weldon	Series B (ISO)	25	33.7	2	39	108	34			0.323
Weldon	Series SMS	20	25	1.2	39	108	28			0.279
Weldon	Series C (ASME)	15	3/4" (19.05)	1.65	39	108	27			0.262
Weldon	Series C (ASME)	20	1" (25.4)	1.65	39	108	28			0.283
Thread	BSP	15	G 1/2"		39	93	19			0.303
Thread	BSP	20	G 3/4"		39	93	19			0.283
Thread	NPT	15	1/2"		39	93	19			0.303
Thread	NPT	20	3/4"		39	93	19			0.283
Thread	NPSM	20	3/4"		39	93	19			0.283

TANKO® S40

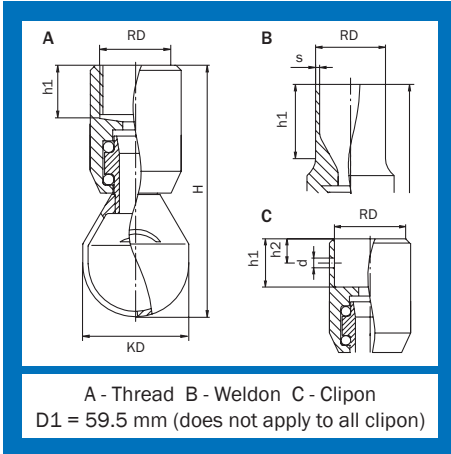
TANKO® S40, 180° downwards

1.4435 (316L)		1.4404 (316L)		2.4602 (HC22)		
DN	Price/EUR	Article no.	Price/EUR	Article no.	Price/EUR	Article no.
20	273,00	665 04 4200 2231	195,00	665 04 4200 2221	940,00	665 04 4200 2281
25	273,00	665 04 4300 2231	195,00	665 04 4300 2221	940,00	665 04 4300 2281
20	273,00	665 04 7800 2231	195,00	665 04 7800 2221	940,00	665 04 7800 2281
25	273,00	665 04 7900 2231	195,00	665 04 7900 2221	940,00	665 04 7900 2281
20	273,00	665 04 9100 2231	195,00	665 04 9100 2221	940,00	665 04 9100 2281
20	273,00	665 04 A300 2231	195,00	665 04 A300 2221	940,00	665 04 A300 2281
25	273,00	665 04 A400 2231	195,00	665 04 A400 2221	940,00	665 04 A400 2281
20	273,00	665 04 B200 2231	195,00	665 04 B200 2221	940,00	665 04 B200 2281
15	273,00	665 04 4100 2631	195,00	665 04 4100 2621	940,00	665 04 4100 2681
20	273,00	665 04 4200 2631	195,00	665 04 4200 2621	940,00	665 04 4200 2681
25	273,00	665 04 4300 2631	195,00	665 04 4300 2621	940,00	665 04 4300 2681
20	273,00	665 04 7800 2631	195,00	665 04 7800 2621	940,00	665 04 7800 2681
25	273,00	665 04 7900 2631	195,00	665 04 7900 2621	940,00	665 04 7900 2681
20	273,00	665 04 B200 2631	195,00	665 04 B200 2621	940,00	665 04 B200 2681
15	273,00	665 04 9000 2631	195,00	665 04 9000 2621	940,00	665 04 9000 2681
20	273,00	665 04 9100 2631	195,00	665 04 9100 2621	940,00	665 04 9100 2681
15	273,00	665 04 7700 2331	195,00	665 04 7700 2321	940,00	665 04 7700 2381
20	273,00	665 04 7800 2331	195,00	665 04 7800 2321	940,00	665 04 7800 2381
15	273,00	665 04 7700 2431	195,00	665 04 7700 2421	940,00	665 04 7700 2481
20	273,00	665 04 7800 2431	195,00	665 04 7800 2421	940,00	665 04 7800 2481
20	273,00	665 04 7800 2A31	195,00	665 04 7800 2A21	940,00	665 04 7800 2A81

TANKO® S40, 90° downwards

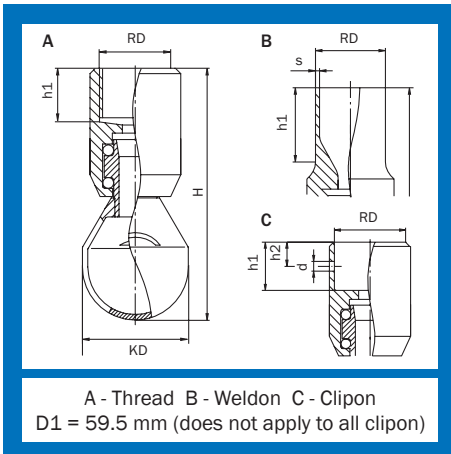
1.4435 (316L)		1.4404 (316L)		2.4602 (HC22)		
DN	Price/EUR	Article no.	Price/EUR	Article no.	Price/EUR	Article no.
20	273,00	665 04 4200 3231	195,00	665 04 4200 3221	940,00	665 04 4200 3281
25	273,00	665 04 4300 3231	195,00	665 04 4300 3221	940,00	665 04 4300 3281
20	273,00	665 04 7800 3231	195,00	665 04 7800 3221	940,00	665 04 7800 3281
25	273,00	665 04 7900 3231	195,00	665 04 7900 3221	940,00	665 04 7900 3281
20	273,00	665 04 9100 3231	195,00	665 04 9100 3221	940,00	665 04 9100 3281
20	273,00	665 04 A300 3231	195,00	665 04 A300 3221	940,00	665 04 A300 3281
25	273,00	665 04 A400 3231	195,00	665 04 A400 3221	940,00	665 04 A400 3281
20	273,00	665 04 B200 3231	195,00	665 04 B200 3221	940,00	665 04 B200 3281
15	273,00	665 04 4100 3631	195,00	665 04 4100 3621	940,00	665 04 4100 3681
20	273,00	665 04 4200 3631	195,00	665 04 4200 3621	940,00	665 04 4200 3681
25	273,00	665 04 4300 3631	195,00	665 04 4300 3621	940,00	665 04 4300 3681
20	273,00	665 04 7800 3631	195,00	665 04 7800 3621	940,00	665 04 7800 3681
25	273,00	665 04 7900 3631	195,00	665 04 7900 3621	940,00	665 04 7900 3681
20	273,00	665 04 B200 3631	195,00	665 04 B200 3621	940,00	665 04 B200 3681
15	273,00	665 04 9000 3631	195,00	665 04 9000 3621	940,00	665 04 9000 3681
20	273,00	665 04 9100 3631	195,00	665 04 9100 3621	940,00	665 04 9100 3681
15	273,00	665 04 7700 3331	195,00	665 04 7700 3321	940,00	665 04 7700 3381
20	273,00	665 04 7800 3331	195,00	665 04 7800 3321	940,00	665 04 7800 3381
15	273,00	665 04 7700 3431	195,00	665 04 7700 3421	940,00	665 04 7700 3481
20	273,00	665 04 7800 3431	195,00	665 04 7800 3421	940,00	665 04 7800 3481
20	273,00	665 04 7800 3A31	195,00	665 04 7800 3A21	940,00	665 04 7800 3A81

TANKO® S50



TANKO® S50, 360°

Connection	DIN 11866	DN	RD	s	KD	H	h1	h2	d	Weight [kg]
Clipon	Series A (DIN)	40	41.5		69.5	172	35.2	24.2	5.5	1.65
Clipon	Series A (DIN)	50	53.8		69.5	158	19	10	5.5	1.65
Clipon	Series B (ISO)	40	49.6		69.5	158	19	10	5.5	1.65
Clipon	Series C (ASME)	32	39		69.5	172	35.2	24.2	5.5	1.65
Clipon	Series C (ASME)	40	52		69.5	158	19	10	5.5	1.65
Clipon	Series SMS	32	39		69.5	172	35.2	10	5.5	1.65
Clipon	Series SMS	40	52		69.5	158	19	10	5.5	1.65
Clipon	Series 1 (old series)	50	52.8		69.5	158	19	10	5.5	1.65
Clipon	Series 3	50	54.5		69.5	158	19	10	5.5	1.65
Weldon	Series A (DIN)	50	53	1.5	69.5	180	34			1.78
Weldon	Series A (DIN)	40	41	1.5	69.5	180	27			1.78
Weldon	Series B (ISO)	40	48.3	2	69.5	180	31			1.78
Weldon	Series B (ISO)	50	60.3	2	69.5	180	31			1.78
Weldon	Series C (ASME)	40	2" (50.8)	1.65	69.5	180	32			1.78
Weldon	Series 3 (DIN 11850)	50	54	2	69.5	180	34			1.78
Weldon	Series SMS	32	38	1.2	69.5	180	27			1.78
Weldon	Series SMS	40	51	1.2	69.5	180	32			1.78
Thread	BSP	32	G 1 1/4"		69.5	158	21			1.65
Thread	NPT	32	1 1/4"		69.5	158	21			1.65
Thread	BSP	40	G 1 1/2"		69.5	158	21			1.65
Thread	NPT	40	1 1/2"		69.5	158	21			1.65
Thread	NPSM	40	1 1/2"		69.5	158	21			1.65



TANKO® S50, 270° upwards

Connection	DIN 11866	DN	RD	s	KD	H	h1	h2	d	Weight [kg]
Clipon	Series A (DIN)	40	41.5		69.5	172	35.2	24.2	5.5	1.65
Clipon	Series A (DIN)	50	53.8		69.5	158	19	10	5.5	1.65
Clipon	Series B (ISO)	40	49.6		69.5	158	19	10	5.5	1.65
Clipon	Series C	32	39		69.5	172	35.2	24.2	5.5	1.65
Clipon	Series C (ASME)	40	52		69.5	158	19	10	5.5	1.65
Clipon	Series SMS	32	39		69.5	172	19	10	5.5	1.65
Clipon	Series SMS	40	52		69.5	158	19	10	5.5	1.65
Clipon	Series 1	50	52.8		69.5	158	19	10	5.5	1.65
Clipon	Series 3	50	54.4		69.5	158	19	10	5.5	1.65
Weldon	Series A (DIN)	50	53	1.5	69.5	180	34			1.78
Weldon	Series A (DIN)	40	41	1.5	69.5	180	27			1.78
Weldon	Series B (ISO)	40	48.3	2	69.5	180	31			1.78
Weldon	Series B (ISO)	50	60.3	2	69.5	180	31			1.78
Weldon	Series C (ASME)	40	2" (50.8)	1.65	69.5	180	32			1.78
Weldon	Series 3 (DIN 11850)	50	54	2	69.5	180	34			1.78
Weldon	Series SMS	32	38	1.2	69.5	180	27			1.78
Weldon	Series SMS	40	51	1.2	69.5	180	32			1.78
Thread	BSP	32	G 1 1/4"		69.5	158	21			1.65
Thread	NPT	32	1 1/4"		69.5	158	21			1.65
Thread	BSP	40	G 1 1/2"		69.5	158	21			1.65
Thread	NPT	40	1 1/2"		69.5	158	21			1.65
Thread	NPSM	40	1 1/2"		69.5	158	21			1.65

TANKO® S50

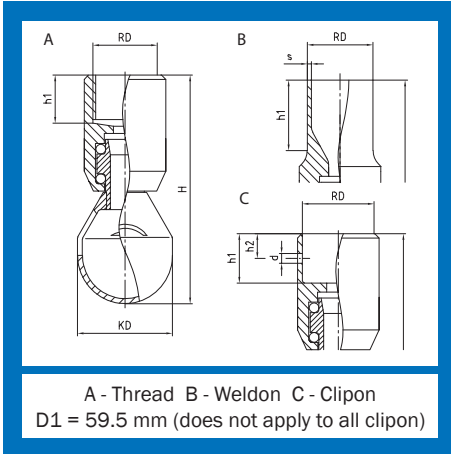
TANKO® S50, 360°

1.4435 (316L)		1.4404 (316L)		2.4602 (HC22)		
DN	Price/EUR	Article no.	Price/EUR	Article no.	Price/EUR	Article no.
40	359,00	665 05 4500 1231	295,00	665 05 4500 1221	*	665 05 4500 1281
50	359,00	665 05 4600 1231	295,00	665 05 4600 1221	*	665 05 4600 1281
40	359,00	665 05 8100 1231	295,00	665 05 8100 1221	*	665 05 8100 1281
32	359,00	665 05 9200 1231	295,00	665 05 9200 1221	*	665 05 9200 1281
40	359,00	665 05 9300 1231	295,00	665 05 9300 1221	*	665 05 9300 1281
32	359,00	665 05 B300 1231	295,00	665 05 B300 1221	*	665 05 B300 1281
40	359,00	665 05 B400 1231	295,00	665 05 B400 1221	*	665 05 B400 1281
50	359,00	665 05 A700 1231	295,00	665 05 A700 1221	*	665 05 A700 1281
50	359,00	665 05 3600 1231	295,00	665 05 3600 1221	*	665 05 3600 1281
50	359,00	665 05 4600 1631	295,00	665 05 4600 1621	*	665 05 4600 1681
40	359,00	665 05 4500 1631	295,00	665 05 4500 1621	*	665 05 4500 1681
40	359,00	665 05 8100 1631	295,00	665 05 8100 1621	*	665 05 8100 1681
50	359,00	665 05 8200 1631	295,00	665 05 8200 1621	*	665 05 8200 1681
40	359,00	665 05 9300 1631	295,00	665 05 9300 1621	*	665 05 9300 1681
50	359,00	665 05 3600 1631	295,00	665 05 3600 1621	*	665 05 3600 1681
32	359,00	665 05 B300 1631	295,00	665 05 B300 1621	*	665 05 B300 1681
40	359,00	665 05 B400 1631	295,00	665 05 B400 1621	*	665 05 B400 1681
32	359,00	665 05 8000 1331	295,00	665 05 8000 1321	*	665 05 8000 1381
32	359,00	665 05 8000 1431	295,00	665 05 8000 1421	*	665 05 8000 1481
40	359,00	665 05 8100 1331	295,00	665 05 8100 1321	*	665 05 8100 1381
40	359,00	665 05 8100 1431	295,00	665 05 8100 1421	*	665 05 8100 1481
40	359,00	665 05 8100 1A31	295,00	665 05 8100 1A21	*	665 05 8100 1A81

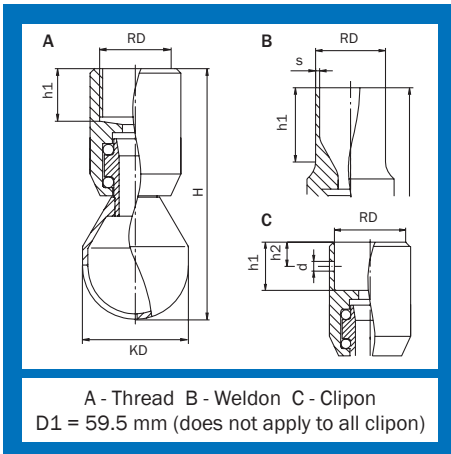
TANKO® S50, 270° upwards

1.4435 (316L)		1.4404 (316L)		2.4602 (HC22)		
DN	Price/EUR	Article no.	Price/EUR	Article no.	Price/EUR	Article no.
40	359,00	665 05 4500 6231	295,00	665 05 4500 6221	*	665 05 4500 6281
50	359,00	665 05 4600 6231	295,00	665 05 4600 6221	*	665 05 4600 6281
40	359,00	665 05 8100 6231	295,00	665 05 8100 6221	*	665 05 8100 6281
32	359,00	665 05 9200 6231	295,00	665 05 9200 6221	*	665 05 9200 6281
40	359,00	665 05 9300 6231	295,00	665 05 9300 6221	*	665 05 9300 6281
32	359,00	665 05 B300 6231	295,00	665 05 B300 6221	*	665 05 B300 6281
40	359,00	665 05 B400 6231	295,00	665 05 B400 6221	*	665 05 B400 6281
50	359,00	665 05 A700 6231	295,00	665 05 A700 6221	*	665 05 A700 6281
50	359,00	665 05 3600 6231	295,00	665 05 3600 6221	*	665 05 3600 6281
50	359,00	665 05 4600 6631	295,00	665 05 4600 6621	*	665 05 4600 6681
40	359,00	665 05 4500 6631	295,00	665 05 4500 6621	*	665 05 4500 6681
40	359,00	665 05 8100 6631	295,00	665 05 8100 6621	*	665 05 8100 6681
50	359,00	665 05 8200 6631	295,00	665 05 8200 6621	*	665 05 8200 6681
40	359,00	665 05 9300 6631	295,00	665 05 9300 6621	*	665 05 9300 6681
50	359,00	665 05 3600 6631	295,00	665 05 3600 6621	*	665 05 3600 6681
32	359,00	665 05 B300 6631	295,00	665 05 B300 6621	*	665 05 B300 6681
40	359,00	665 05 B400 6631	295,00	665 05 B400 6621	*	665 05 B400 6681
32	359,00	665 05 8000 6331	295,00	665 05 8000 6321	*	665 05 8000 6381
32	359,00	665 05 8000 6431	295,00	665 05 8000 6421	*	665 05 8000 6481
40	359,00	665 05 8100 6331	295,00	665 05 8100 6321	*	665 05 8100 6381
40	359,00	665 05 8100 6431	295,00	665 05 8100 6421	*	665 05 8100 6481
40	359,00	665 05 8100 6A31	295,00	665 05 8100 6A21	*	665 05 8100 6A81

TANKO® S50



TANKO® S50, 180° upwards										
Connection	DIN 11866	DN	RD	s	KD	H	h1	h2	d	Weight [kg]
Clipon	Series A (DIN)	40	41.5		69.5	172	35.2	24.2	5.5	1.65
Clipon	Series A (DIN)	50	53.8		69.5	158	19	10	5.5	1.65
Clipon	Series B (ISO)	40	49.6		69.5	158	19	10	5.5	1.65
Clipon	Series C (ASME)	32	39		69.5	172	35.2	24.2	5.5	1.65
Clipon	Series C (ASME)	40	52		69.5	158	19	10	5.5	1.65
Clipon	Series SMS	32	39		69.5	172	35.2	10	5.5	1.65
Clipon	Series SMS	40	52		69.5	158	19	10	5.5	1.65
Clipon	Series 1 (old series)	50	52.8		69.5	158	19	10	5.5	1.65
Clipon	Series 3	50	54.4		69.5	158	19	10	5.5	1.65
Weldon	Series A (DIN)	50	53	1.5	69.5	180	34			1.78
Weldon	Series A (DIN)	40	41	1.5	69.5	180	27			1.78
Weldon	Series B (ISO)	40	48.3	2	69.5	180	31			1.78
Weldon	Series B (ISO)	50	60.3	2	69.5	180	31			1.78
Weldon	Series C (ASME)	40	2" (50.8)	1.65	69.5	180	32			1.78
Weldon	Series 3 (DIN 11850)	50	54	2	69.5	180	34			1.78
Weldon	Series SMS	32	38	1.2	69.5	180	27			1.78
Weldon	Series SMS	40	51	1.2	69.5	180	32			1.78
Thread	BSP	32	G 1 1/4"		69.5	158	21			1.65
Thread	NPT	32	1 1/4"		69.5	158	21			1.65
Thread	BSP	40	G 1 1/2"		69.5	158	21			1.65
Thread	NPT	40	1 1/2"		69.5	158	21			1.65
Thread	NPSM	40	1 1/2"		69.5	158	21			1.65



TANKO® S50, 180° downwards										
Connection	DIN 11866	DN	RD	s	KD	H	h1	h2	d	Weight [kg]
Clipon	Series A (DIN)	40	41.5		69.5	172	35.2	24.2	5.5	1.65
Clipon	Series A (DIN)	50	53.8		69.5	158	19	10	5.5	1.65
Clipon	Series B (ISO)	40	49.6		69.5	158	19	10	5.5	1.65
Clipon	Series C (ASME)	32	39		69.5	172	35.2	24.2	5.5	1.65
Clipon	Series C (ASME)	40	52		69.5	158	19	10	5.5	1.65
Clipon	Series SMS	32	39		69.5	158	19	10	5.5	1.65
Clipon	Series SMS	40	52		69.5	158	19	10	5.5	1.65
Clipon	Series 1 (old series)	50	52.8		69.5	158	19	10	5.5	1.65
Clipon	Series 3	50	54.4		69.5	158	19	10	5.5	1.65
Weldon	Series A (DIN)	50	53	1.5	69.5	180	34			1.78
Weldon	Series A (DIN)	40	41	1.5	69.5	180	27			1.78
Weldon	Series B (ISO)	40	48.3	2	69.5	180	31			1.78
Weldon	Series B (ISO)	50	60.3	2	69.5	180	31			1.78
Weldon	Series C (ASME)	40	2" (50.8)	1.65	69.5	180	32			1.78
Weldon	Series 3 (DIN 11850)	50	54	2	69.5	180	34			1.78
Weldon	Series SMS	32	38	1.2	69.5	180	27			1.78
Weldon	Series SMS	40	51	1.2	69.5	180	32			1.78
Thread	BSP	32	G 1 1/4"		69.5	158	21			1.65
Thread	NPT	32	1 1/4"		69.5	158	21			1.65
Thread	BSP	40	G 1 1/2"		69.5	158	21			1.65
Thread	NPT	40	1 1/2"		69.5	158	21			1.65
Thread	NPSM	40	1 1/2"		69.5	158	21			1.65

TANKO® S50

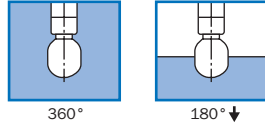
TANKO® S50, 180° upwards

1.4435 (316L)		1.4404 (316L)		2.4602 (HC22)		
DN	Price/EUR	Article no.	Price/EUR	Article no.	Price/EUR	Article no.
40	359,00	665 05 4500 7231	295,00	665 05 4500 7221	*	665 05 4500 7281
50	359,00	665 05 4600 7231	295,00	665 05 4600 7221	*	665 05 4600 7281
40	359,00	665 05 8100 7231	295,00	665 05 8100 7221	*	665 05 8100 7281
32	359,00	665 05 9200 7231	295,00	665 05 9200 7221	*	665 05 9200 7281
40	359,00	665 05 9300 7231	295,00	665 05 9300 7221	*	665 05 9300 7281
32	359,00	665 05 B300 7231	295,00	665 05 B300 7221	*	665 05 B300 7281
40	359,00	665 05 B400 7231	295,00	665 05 B400 7221	*	665 05 B400 7281
50	359,00	665 05 A700 7231	295,00	665 05 A700 7221	*	665 05 A700 7281
50	359,00	665 05 3600 7231	295,00	665 05 3600 7221	*	665 05 3600 7281
50	359,00	665 05 4600 7631	295,00	665 05 4600 7621	*	665 05 4600 7681
40	359,00	665 05 4500 7631	295,00	665 05 4500 7621	*	665 05 4500 7681
40	359,00	665 05 8100 7631	295,00	665 05 8100 7621	*	665 05 8100 7681
50	359,00	665 05 8200 7631	295,00	665 05 8200 7621	*	665 05 8200 7681
40	359,00	665 05 9300 7631	295,00	665 05 9300 7621	*	665 05 9300 7681
50	359,00	665 05 3600 7631	295,00	665 05 3600 7621	*	665 05 3600 7681
32	359,00	665 05 B300 7631	295,00	665 05 B300 7621	*	665 05 B300 7681
40	359,00	665 05 B400 7631	295,00	665 05 B400 7621	*	665 05 B400 7681
32	359,00	665 05 8000 7331	295,00	665 05 8000 7321	*	665 05 8000 7381
32	359,00	665 05 8000 7431	295,00	665 05 8000 7421	*	665 05 8000 7481
40	359,00	665 05 8100 7331	295,00	665 05 8100 7321	*	665 05 8100 7381
40	359,00	665 05 8100 7431	295,00	665 05 8100 7421	*	665 05 8100 7481
40	359,00	665 05 8100 7A31	295,00	665 05 8100 7A21	*	665 05 8100 7A81

TANKO® S50, 180° downwards

1.4435 (316L)		1.4404 (316L)		2.4602 (HC22)		
DN	Price/EUR	Article no.	Price/EUR	Article no.	Price/EUR	Article no.
40	359,00	665 05 4500 2231	295,00	665 05 4500 2221	*	665 05 4500 2281
50	359,00	665 05 4600 2231	295,00	665 05 4600 2221	*	665 05 4600 2281
40	359,00	665 05 8100 2231	295,00	665 05 8100 2221	*	665 05 8100 2281
32	359,00	665 05 9200 2231	295,00	665 05 9200 2221	*	665 05 9200 2281
40	359,00	665 05 9300 2231	295,00	665 05 9300 2221	*	665 05 9300 2281
32	359,00	665 05 B300 2231	295,00	665 05 B300 2221	*	665 05 B300 2281
40	359,00	665 05 B400 2231	295,00	665 05 B400 2221	*	665 05 B400 2281
50	359,00	665 05 A700 2231	295,00	665 05 A700 2221	*	665 05 A700 2281
50	359,00	665 05 3600 2231	295,00	665 05 3600 2221	*	665 05 3600 2281
50	359,00	665 05 4600 2631	295,00	665 05 4600 2621	*	665 05 4600 2681
40	359,00	665 05 4500 2631	295,00	665 05 4500 2621	*	665 05 4500 2681
40	359,00	665 05 8100 2631	295,00	665 05 8100 2621	*	665 05 8100 2681
50	359,00	665 05 8200 2631	295,00	665 05 8200 2621	*	665 05 8200 2681
40	359,00	665 05 9300 2631	295,00	665 05 9300 2621	*	665 05 9300 2681
50	359,00	665 05 3600 2631	295,00	665 05 3600 2621	*	665 05 3600 2681
32	359,00	665 05 B300 2631	295,00	665 05 B300 2621	*	665 05 B300 2681
40	359,00	665 05 B400 2631	295,00	665 05 B400 2621	*	665 05 B400 2681
32	359,00	665 05 8000 2331	295,00	665 05 8000 2321	*	665 05 8000 2381
32	359,00	665 05 8000 2431	295,00	665 05 8000 2421	*	665 05 8000 2481
40	359,00	665 05 8100 2331	295,00	665 05 8100 2321	*	665 05 8100 2381
40	359,00	665 05 8100 2431	295,00	665 05 8100 2421	*	665 05 8100 2481
40	359,00	665 05 8100 2A31	295,00	665 05 8100 2A21	*	665 05 8100 2A81

TANKO® CR40



The TANKO® CR has been developed for maximum chemical resistance and highest hygienic requirements. It provides impressive corrosion resistance and strong cleaning.

The TANKO® CR series of spatula cleaners rotate in a slow and defined manner on a maintenance-free hydrodynamic plain bearing. This constantly flushed bearing allows operation in the widest variety of installation angles, resulting in a sturdy device with a long service life. The constant speed under different operating conditions and focused fan jets ensure high cleaning effectiveness in conjunction with fast wetting. The TANKO® CR is also very well suited for SIP sterilization of the vessel with steam.

The material used is a modified 2nd generation PTFE that provides a smoother, more hygienic surface than conventional PTFE with improved mechanical properties at the same level of chemical resistance and freedom from adhesion.

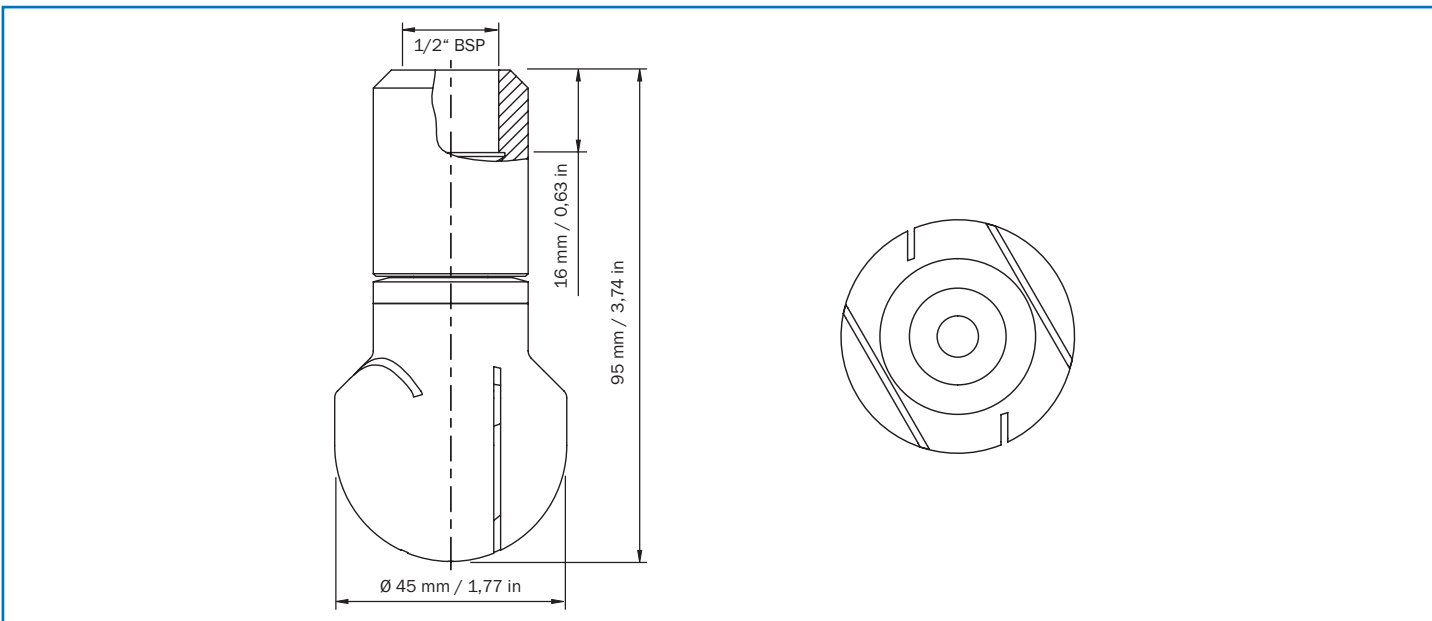
All consumption specifications are for orientation only.
The dimensions listed are in mm and are nominal dimensions.

Technical Parameters

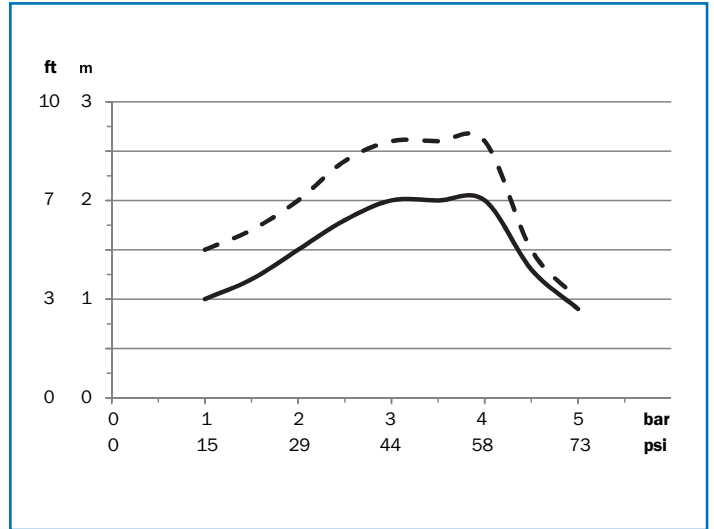
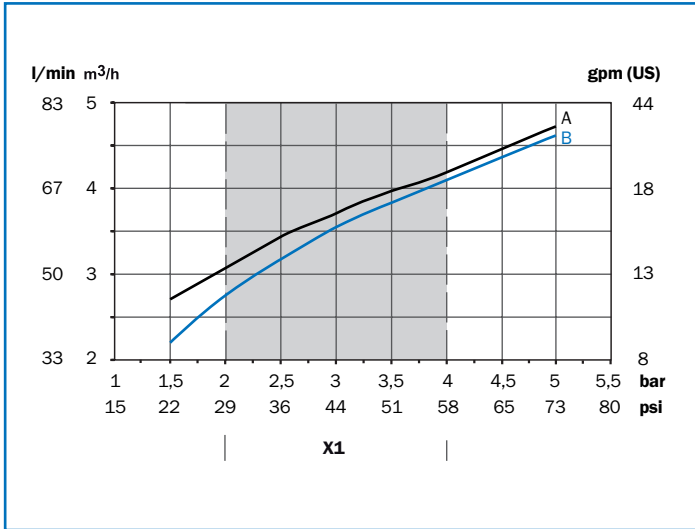
Spray angle:	360° 180° downwards
Materials:	Modified PTFE
Connections:	1/2" BSP female thread
Operating pressure:	Cleaning medium: 1,5 - 5 bar / 22 - 73 psi *
Working temperature:	Cleaning medium: +5°C (+41°F) to +95°C (+203°F)
Ambient temperature:	Inside the container: +5°C (+41°F) to +150°C (+302°F)
Volume flow rate:	2.2 - 4.7 m³/h / 36.7 l - 78.3 l/min / 9.7 - 20.7 gpm (US) *
Range:	Cleaning radius: 2 m / 6,6 ft; wetting radius: 2.7 m / 8.9 ft *
Min. installation opening:	Ø 47 mm / 1.85 in
Weight:	0.14 kg

*Depending on model and cleaning medium

Dimensions



Consumption and Throw Length Data



X1 - recommended operating pressure
A - 360° / **B** - 180° upwards

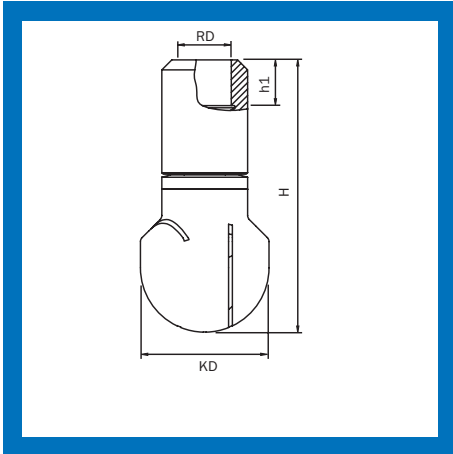
— Wetting radius - - - Cleaning radius

Services

Material Certificates

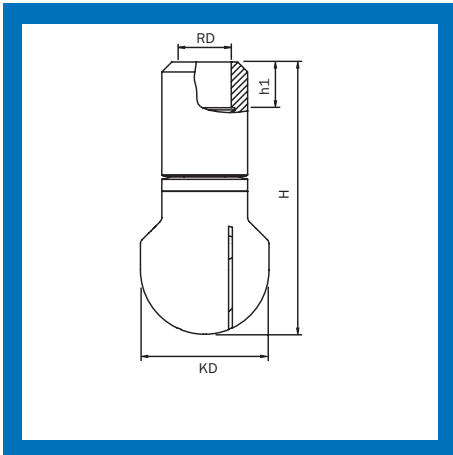
Description	Net price/EUR
FDA / EU 10/2011 / USP class VI TANKO® CR	30,00

TANKO® CR40



TANKO® CR40, 360°

Connection	RD	KD	H	h1	Weight [kg]
Thread	1/2" BSP	45	95	16	0.14



TANKO® CR40, 180° downwards

Connection	RD	KD	H	h1	Weight [kg]
Thread	1/2" BSP	45	95	16	0.14

TANKO® CR40

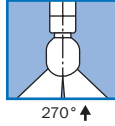
TANKO® CR40, 360°

DN	Price/EUR	Article no.
1/2"	220.00	66K 04 5200 13K0

TANKO® CR40, 180° downwards

DN	Price/EUR	Article no.
1/2"	220.00	66K 04 5200 23K0

TANKO® SF40



The TANKO® SF is a hygienic cleaning device of the 'Rotary spray head' type intended for permanent installation in a vessel. The spate cleaner operates with a spray angle of 270° upwards. The device is designed in such a way that it is able to clean itself. The device can be easily dismantled into a few individual components for inspection purposes.

The rotating spray head rotates on a hydrodynamic bearing during the cleaning process. The device is lubricated by the cleaning medium. No oils, greases or other lubricants are used.



The TANKO® SF satisfies the requirements of the 3-A Sanitary Standard 78-03.
Link: www.3-a.org

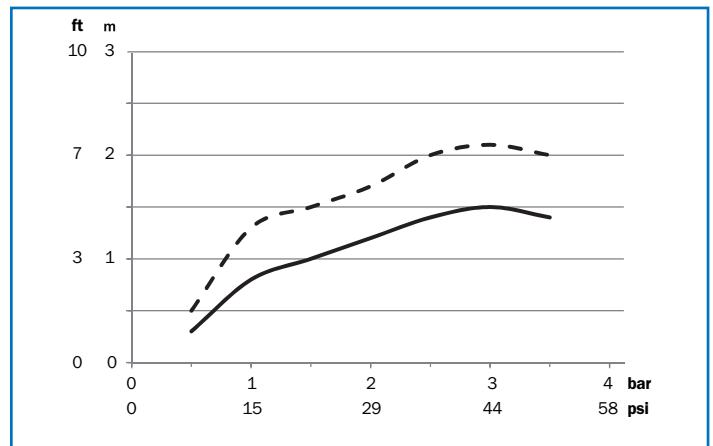
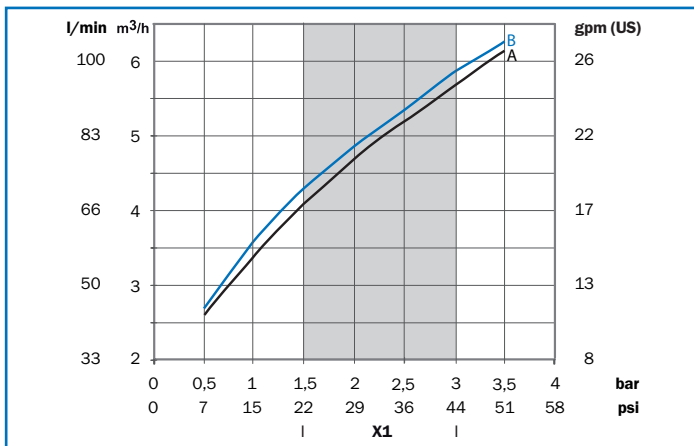
All consumption specifications are for orientation only.
The dimensions listed are in mm and are nominal dimensions.

Technical Parameters

Spray angle:	270° upwards
Materials:	1.4435 (316L), 1.4430 (316L), TECAPEEK® natural
Connections:	Clipon, orbital welding connection acc. DIN 11866
Operating pressure:	Cleaning medium: 1 - 3 bar / 14.5 - 43.5 psi *
Working temperature:	Cleaning medium max. 95°C / 203°F
Sterilization temperature:	121°C / 250°F
Ambient temperature:	Inside the vessel: max. 140°C / 284°F
Volume flow rate:	Weldon: 2.6 - 6.2 m³/h / 43.3 - 103.3 l/min / 11.4 - 27.3 gpm (US) * Clipon: 2.7 - 6.3 m³/h / 45.0 - 105.0 l/min / 11.9 - 27.7 gpm (US) *
Range:	Cleaning radius: max. 1.5 m / 4.9 ft; wetting radius: max. 2 m / 6.6 ft
Installation position:	vertically suspended, other positions on request
Bearing:	hydrodynamic

*Depending on model and cleaning medium

Consumption and Throw Length Data



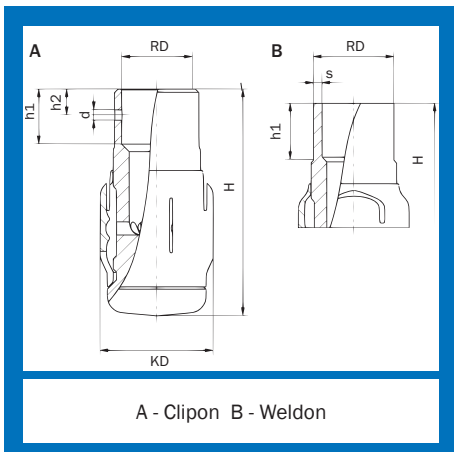
A - 270° upwards weldon **B** - 270° upwards clipon
X1 - recommended operating pressure

— Wetting radius - - Cleaning radius

Material Certificates

Description	Net price/EUR
WAZ 3.1 - EN10204 - TANKO® S	15,00

TANKO® SF40



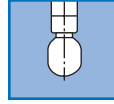
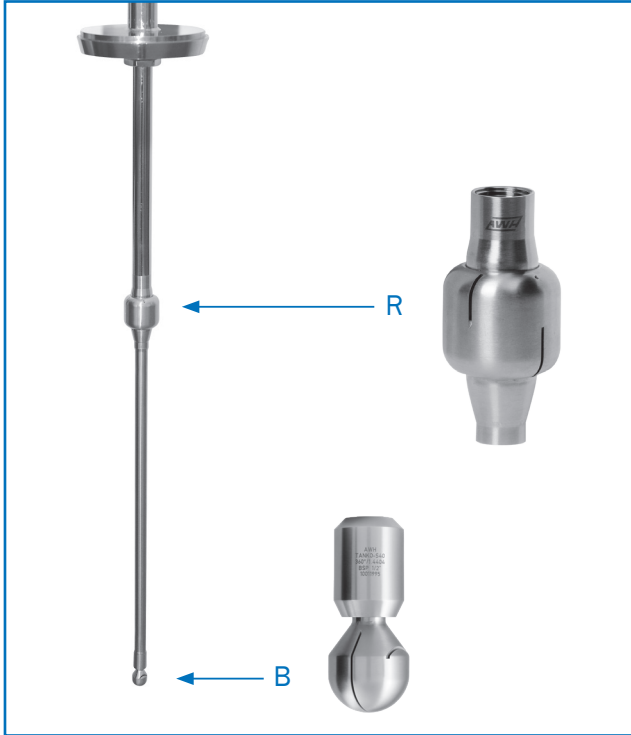
TANKO® SF40, 270° upwards

Connection	DIN 11866	DN	RD	s	KD	H	h1	h2	d	Weight [kg]
Clipon	Series A (DIN)	15	19.3		35	70	16	8	3.2	0.21
Clipon	Series B (ISO)	15	21.6		35	70	16	8	3.2	0.20
Clipon	Series C (ASME)	15	19.3		35	70	16	8	3.2	0.21
Weldon	Series A (DIN)	20	23.0	1.5	35	70	17			0.20
Weldon	Series C (ASME)	20	1" (25.4)	1.65	35	70	17			0.19

TANKO® SF40, 270° upwards

1.4435 (316L)			
Connection	DN	Price/EUR	Article no.
Clipon	15	279,00	665 F4 41A3 6230
Clipon	15	279,00	665 F4 77A3 6230
Clipon	15	279,00	665 F4 90A3 6230
Weldon	20	279,00	665 F4 42A3 6630
Weldon	20	279,00	665 F4 91A3 6630

TANKO® RPB35 (Rotating Pipe Ball)



An effective system for reducing spray shadows! A connection fitting and surge sources (TANKO® S) installed at different heights in a downpipe reduce the spray shadows to a minimum.

A "with DP rinsing" RPB variant reinforced with connection/downpipe cleaning is also available in addition to the 360° standard version.

Further spray angles and product variants are available on request.
DP rinsing = Downpipe rinsing upwards

Configuration example:
 Downpipe with TANKO® RBP35 (A) and TANKO® S20 360° (B)

All consumption specifications are for orientation only.
 The dimensions listed are in mm and are nominal dimensions.

Technical Parameters

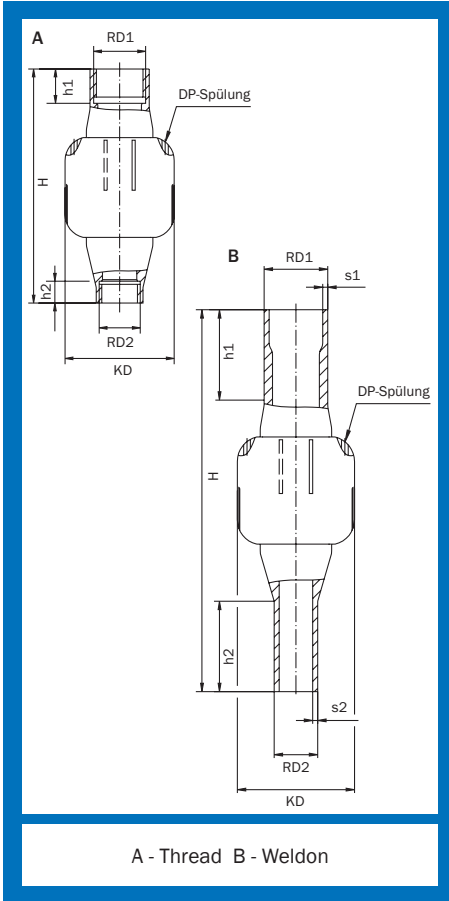
Spray angle:	360°
Materials:	1.4404 (316L), 1.4435 (316L), 1.4571 (316Ti), 2.4610 (HC4), 2.4602 (HC22), Ball bearings: 1.4401 (316), plain bearing: PEEK
Connections:	Thread, orbital welding connection acc. DIN 11866
Operating pressure:	max. 3 bar / 43.5 psi *
Working temperature:	Cleaning medium: max. plain bearing 60°C / 140°F (higher on request), ball bearing 140°C / 284°F
Ambient temperature:	Inside the vessel: max. plain bearing 140°C / 284°F, ball bearing 180°C / 365°F

Volume flow rate: at recommended pressure: 1.2 - 2.5 m³/h / 20 - 41.7 l/min / 5.3 - 11 gpm (US) *

		DP rinsing plain bearing		DP rinsing ball bearing		without DP rinsing plain bearing		without DP rinsing	
Pressure (bar)	Pressure (psi)	Volume (m ³ /h)	Volume (gpm)	Volume (m ³ /h)	Volume (gpm)	Volume (m ³ /h)	Volume (gpm)	Volume (m ³ /h)	Volume (gpm)
1	14.5	1.3	5.7	1.35	5.9	1.2	5.3	1.25	5.5
1.5	21.8	1.6	7	1.7	7.5	1.5	6.6	1.6	7
2	29	1.9	8.4	2	8.8	1.8	7.9	1.9	8.4
3	43.5			2.5	11				

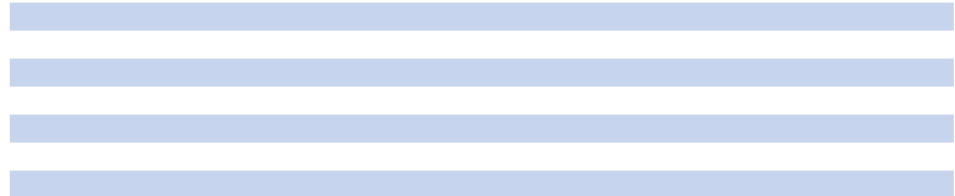
Bearings: Ball bearing or plain bearing
 BB = ball bearing
 PB = plain bearing

*Depending on model and cleaning medium



TANKO® RPB35, 360°

Connection	DIN 11866	Bearing type	RD1	RD2	s1	s2	KD	H	h1	h2	DP rinsing	Weight [kg]
Weldon	Series A (DIN)	BB	19	13	1.5	1.5	35	114	27	27	without	0.151
Weldon	Series A (DIN)	BB	19	13	1.5	1.5	35	114	27	27	with	0.151
Weldon	Series A (DIN)	PB	19	13	1.5	1.5	35	114	27	27	without	0.151
Weldon	Series A (DIN)	PB	19	13	1.5	1.5	35	114	27	27	with	0.151
Weldon	Series B (ISO)	BB	21.3	13.5	1.6	1.6	35	114	27	27	without	0.151
Weldon	Series B (ISO)	BB	21.3	13.5	1.6	1.6	35	114	27	27	with	0.151
Weldon	Series B (ISO)	PB	21.3	13.5	1.6	1.6	35	114	27	27	without	0.151
Weldon	Series B (ISO)	PB	21.3	13.5	1.6	1.6	35	114	27	27	with	0.151
Weldon	Series C (ASME)	BB	19.05	12.7	1.65	1.65	35	114	27	27	without	0.151
Weldon	Series C (ASME)	BB	19.05	12.7	1.65	1.65	35	114	27	27	with	0.151
Weldon	Series C (ASME)	PB	19.05	12.7	1.65	1.65	35	114	27	27	without	0.151
Weldon	Series C (ASME)	PB	19.05	12.7	1.65	1.65	35	114	27	27	with	0.151
Thread	BSP	BB	3/8"	1/4"			35	85	11	19	without	0.140
Thread	BSP	BB	3/8"	1/4"			35	85	11	19	with	0.140
Thread	BSP	PB	3/8"	1/4"			35	85	11	19	without	0.140
Thread	BSP	PB	3/8"	1/4"			35	85	11	19	with	0.140
Thread	NPT	BB	3/8"	1/4"			35	85	11	19	without	0.140
Thread	NPT	BB	3/8"	1/4"			35	85	11	19	with	0.140
Thread	NPT	PB	3/8"	1/4"			35	85	11	19	without	0.140
Thread	NPT	PB	3/8"	1/4"			35	85	11	19	with	0.140

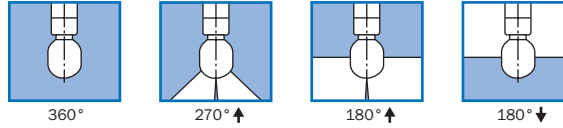


TANKO® RPB35, 360°

1.4435 (316L)			2.4602 (HC22)		
Connection	Price/EUR	Article no.	Price/EUR	Article no.	
Weldon	275,00	667 11 1016 6600 30	*	667 11 1016 6600 80	
Weldon	275,00	667 11 1116 6600 30	*	667 11 1116 6600 80	
Weldon	305,00	667 11 1026 6600 30	*	667 11 1026 6600 80	
Weldon	305,00	667 11 1126 6600 30	*	667 11 1126 6600 80	
Weldon	275,00	667 11 1017 7600 30	*	667 11 1017 7600 80	
Weldon	275,00	667 11 1117 7600 30	*	667 11 1117 7600 80	
Weldon	305,00	667 11 1027 7600 30	*	667 11 1027 7600 80	
Weldon	305,00	667 11 1127 7600 30	*	667 11 1127 7600 80	
Weldon	275,00	667 11 1018 8600 30	*	667 11 1018 8600 80	
Weldon	275,00	667 11 1118 8600 30	*	667 11 1118 8600 80	
Weldon	305,00	667 11 1028 8600 30	*	667 11 1028 8600 80	
Weldon	305,00	667 11 1128 8600 30	*	667 11 1128 8600 80	
Thread	225,00	667 11 1013 2300 30	*	667 11 1013 2300 80	
Thread	225,00	667 11 1113 2300 30	*	667 11 1113 2300 80	
Thread	255,00	667 11 1023 2300 30	*	667 11 1023 2300 80	
Thread	255,00	667 11 1123 2300 30	*	667 11 1123 2300 80	
Thread	225,00	667 11 1013 2400 30	*	667 11 1013 2400 80	
Thread	225,00	667 11 1113 2400 30	*	667 11 1113 2400 80	
Thread	255,00	667 11 1023 2400 30	*	667 11 1023 2400 80	
Thread	255,00	667 11 1123 2400 30	*	667 11 1123 2400 80	

BB = ball bearing
PB = plain bearing

TANKO® RB



The TANKO® RB is a rotating spray head with drilled circular spray openings. Working in the same way as the static spray ball, with larger volume flows at low pressures, but designed as a rotating device, the TANKO® RB wets the vessel walls in a short period of time. Short cleaning periods can be achieved depending on the application. The basic function of the device is retained even if the rotation fails.

If individual spray holes become blocked, the rotation of the device allows the remaining spray holes to compensate for this. This ensures continued complete wetting of the tank walls. The typical application area is in low-pressure solutions that do not require jet cleaner but with higher flow volumes than the TANKO® S. Existing systems can be retrofitted with the TANKO® RB without changing the already validated application. The double ball bearing TANKO® RB can be operated in any installation position, as with the TANKO® S.

All consumption specifications are for orientation only.
The dimensions listed are in mm and are nominal dimensions.

Technical Parameters

Spray angle:	360°, 270° upwards, 180° upwards, 180° downwards
Materials:	1.4404 (316L), 1.4435 (316L), 1.4571 (316Ti), 2.4610 (HC4), 2.4602 (HC22), bearing balls: 1.4401 (316), optional: 2.4610 (HC4), 2.4602 (HC22)
Connections:	Clipon, thread, orbital weldon connection acc. DIN 11866
Operating pressure:	1,5 - 3 bar / 22 - 43.5 psi *
Working temperature:	Cleaning medium: max. 230°C / 446°F (does not apply to ATEX versions!)
Ambient temperature:	Inside the vessel: max. 250°C / 482°F (Does not apply to ATEX - versions!)
Volume flow rate:	2.4 - 28.9 m³/h / 40 - 481.7 l/min / 10.6 - 127.2 gpm (US) *
Range:	Cleaning radius: 0.75 - 2.5 m / 2.5 - 8.2 ft
Bearings:	double ball bearings

*Depending on model and cleaning medium

Information as per ATEX (excerpt)

The cleaning devices satisfy the explosion protection requirements of Directive 2014/34/EU.

Current information on the type approval of the cleaning devices: TANKO® EX RB30, TANKO® EX RB40, TANKO® EX RB64, TANKO® EX RB90 (G = Gas, D = Dust, X at the end of the identification number = Special conditions, see operating instructions)

Ex II 1 G Ex h IIB T6 Ga
II 1 D Ex h IIIC T60°C Da
TPS 20 ATEX 055073 008 X

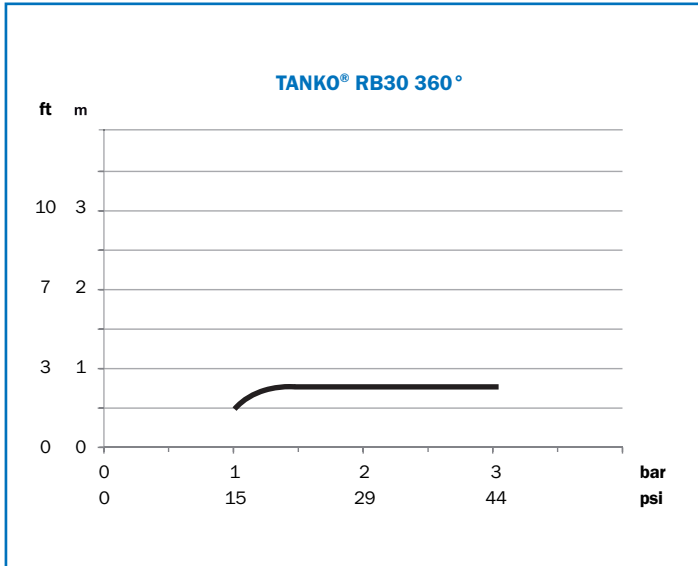
The technical data of the ATEX units can differ from the standard units and this data is provided in the respective operating and installation instructions.

Surcharge on standard products from the TANKO® RB series: 75.00 EUR

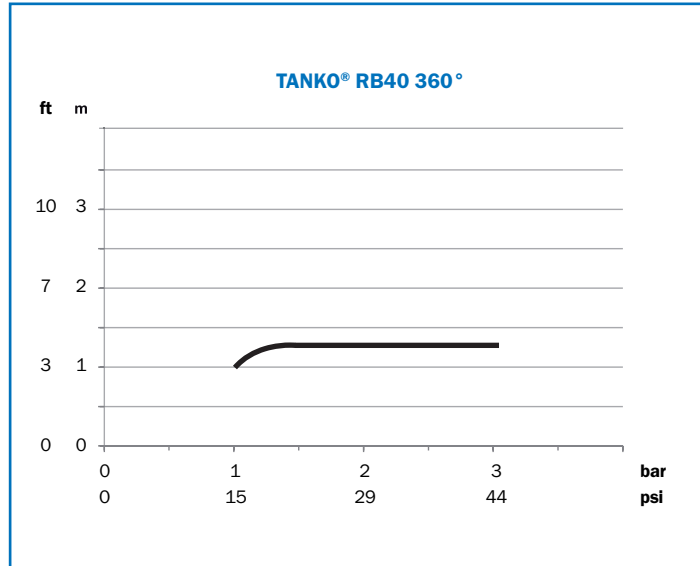
Article no.: please take the respective article number and substitute the value "X" accordingly. E.g.: 664 00 00A2 0044X

Consumption Data and Throw Length Data

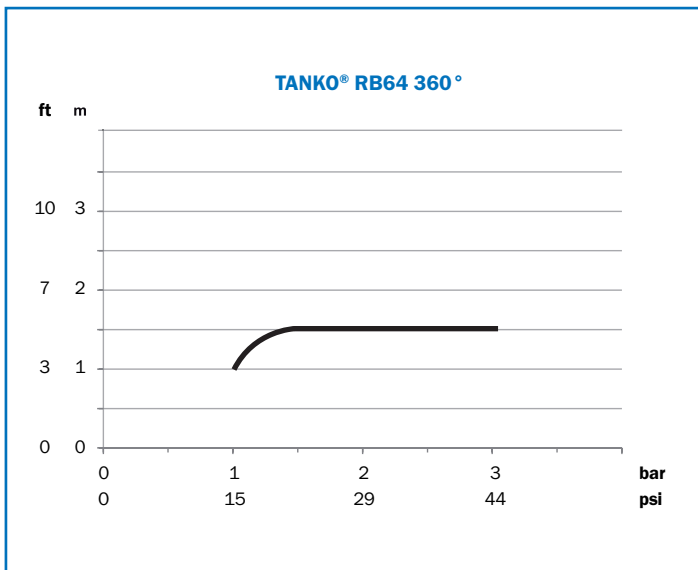
The volume flow rate m³/h (throughput) consumption data of the TANKO® RB is provided in the catalog product tables.



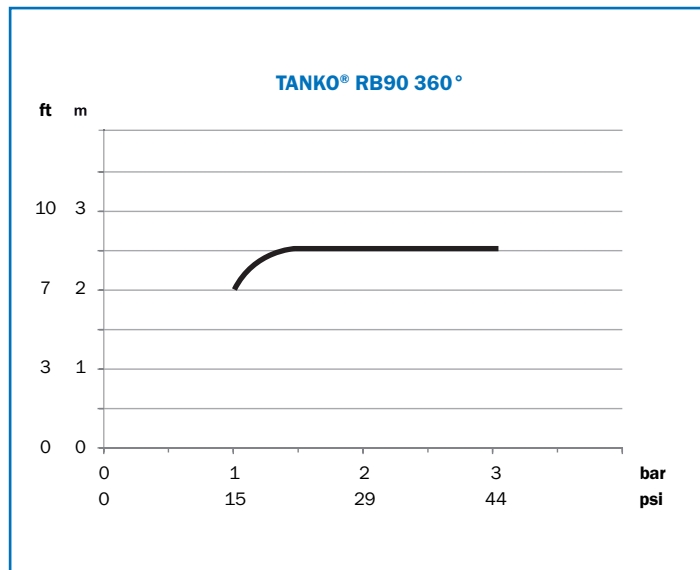
— Cleaning radius



— Cleaning radius



— Cleaning radius



— Cleaning radius

Test conditions for the consumption and range charts:

Temperature: 20 - 30°C / 68 - 86°F
 Measuring medium: Water
 Connection: Thread connection

The consumption values for clipon connections can be up to 30% higher depending on the size of the connection, the range values may be lower.

TANKO® RB

Surcharge on Standard Products from the TANKO® RB Series

TANKO® RB with Hastelloy balls

Model	Ball material	Surcharge/EUR
TANKO® RB30	2.4610 / HC4	64,00
TANKO® RB30	2.4602 / HC22	71,00
TANKO® RB40	2.4610 / HC4	81,00
TANKO® RB40	2.4602 / HC22	90,00
TANKO® RB64	2.4610 / HC4	124,00
TANKO® RB64	2.4602 / HC22	137,00
TANKO® RB90	2.4610 / HC4	224,00
TANKO® RB90	2.4602 / HC22	248,00

Surcharge on standard products from the TANKO® RB series

Article no.: Please replace **00** in the respective article number with **0A** for 2.4602 or **0B** for 2.4610

Example: 661 03 76**00** 1330 TANKO® RB 30, 360° Standard

Example: 661 03 76**0A** 1330 TANKO® RB 30, 360° with balls made of 2.4602 / HC22

Example: 661 03 76**0B** 1330 TANKO® RB 30, 360° with balls made of 2.4610 / HC4

Spare Parts and Services

Wire Retaining Pin Set (4 pieces) for Clipon

Price is not valid! Refer to spare parts catalog

Article no.	Version	To be used for materials	Ø	Length	Price/EUR
664 00 00A2 0044	TANKO® RB30	1.4435 (316L), 1.4404 (316L)	2.0	40	29,60
664 00 00A2 0064	TANKO® RB30	1.471 (316Ti)	2.0	40	29,60
664 00 00A2 0094	TANKO® RB30	2.4602 (HC22), 2.4610 (HC4)	2.0	40	32,40
664 00 00A5 0044	TANKO® RB40	1.4435 (316L), 1.4404 (316L)	2.4	49	29,60
664 00 00A5 0064	TANKO® RB40	1.4571 (316Ti), 1.4576	2.4	49	29,60
664 00 00A5 1064	TANKO® RB40	1.4571 (316Ti), 1.4576	2.4	59	29,60
664 00 00A5 0094	TANKO® RB40	2.4602 (HC22), 2.4610 (HC4)	2.4	49	32,40
664 00 00A6 0054	TANKO® RB64	1.4571 (316Ti)	3.6	78	34,40
664 00 00A6 0074	TANKO® RB64	2.4602 (HC22), 2.4610 (HC4)	3.6	78	63,20
664 00 00A7 0054	TANKO® RB90	1.4571 (316Ti)	4.5	115	38,80

Measuring Report

Number of measuring points	Description	Net price/EUR
3	Roughness	35,00
2	Δ-ferrite content	45,00

Material Certificates

Description	Net price/EUR
WAZ 3.1 - EN10204 - TANKO® RB	15,00
WAZ 3.1 - EN10204 - Wire retaining pins	15,00

Surface Treatment

Article no.	Description	Surcharge/EUR
... R	Surface treatment to Ra ≤ 0.5 µm (exterior)	67,00
... D	Electropolishing of TANKO® RB (exterior), (1.4571 excluded)	59,00
... C	Electropolishing of TANKO® RB to Ra ≤ 0.5 µm (exterior), (1.4571 excluded)	125,00

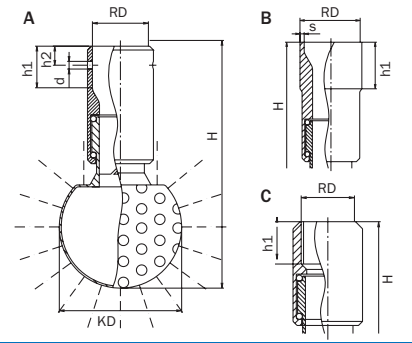
Article no.:

Please take the respective article number and add the corresponding treatment letter designation for example: **A** for Ra ≤ 0.5 µm (external) or **D** or **C**.

Example: 661 03 7600 1330 TANKO® RB30, 360° Standard

Example: 661 03 7600 133**A** TANKO® RB30, 360° Standard Ra ≤ 0.5 µm (external)

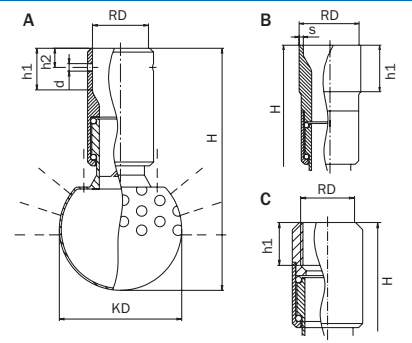
Rotating Spray Head, 360°



A - Clipon B - Weldon C - Thread

Connection	DIN 11866	DN	RD	s	KD	h1	h2	d	H	m ³ /h at 1.5 bar	m ³ /h at 3 bar
Clipon	Series A (DIN)	10	13.2		30	17	8	2.2	78	2.4	3.2
Clipon	Series B (ISO)	10	17.4		30	17	8	2.2	78	2.4	3.2
Clipon	Series C (ASME)	8	12.9		30	17	8	2.2	78	2.4	3.2
Weldon	Series A (DIN)	15	19	1.5	30	26			90	2.4	3.2
Weldon	Series B (ISO)	10	17.2	1.6	30	26			90	2.4	3.2
Weldon	Series C (ASME)	15	19.05	1.65	30	26			90	2.4	3.2
Thread	BSP	8	G 1/4"		30	12			70	2.4	3.2
Thread	NPT	8	1/4"		30	12			70	2.4	3.2
Thread	BSP	8	G 3/8"		30	12			70	2.4	3.2
Thread	NPT	8	3/8"		30	12			70	2.4	3.2
Thread	NPSM	8	3/8"		30	12			70	2.4	3.2

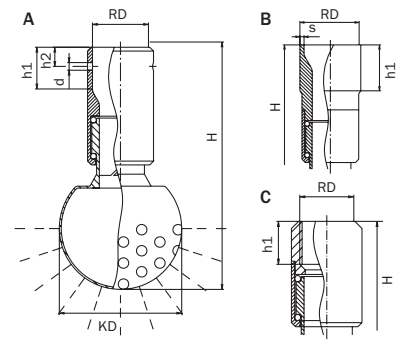
Rotating Spray Head, 180° upwards



A - Clipon B - Weldon C - Thread

Connection	DIN 11866	DN	RD	s	KD	h1	h2	d	H	m ³ /h at 1.5 bar	m ³ /h at 3 bar
Clipon	Series A (DIN)	10	13.2		30	17	8	2.2	78	2.3	3.2
Clipon	Series B (ISO)	10	17.4		30	17	8	2.2	78	2.3	3.2
Clipon	Series C (ASME)	8	12.9		30	17	8	2.2	78	2.3	3.2
Weldon	Series A (DIN)	15	19	1.5	30	26			90	2.3	3.2
Weldon	Series B (ISO)	10	17.2	1.6	30	26			90	2.3	3.2
Weldon	Series C (ASME)	15	19.05	1.65	30	26			90	2.3	3.2
Thread	BSP	8	G 1/4"		30	12			70	2.3	3.2
Thread	NPT	8	1/4"		30	12			70	2.3	3.2
Thread	BSP	8	G 3/8"		30	12			70	2.3	3.2
Thread	NPT	8	3/8"		30	12			70	2.3	3.2
Thread	NPSM	8	3/8"		30	12			70	2.3	3.2

Rotating Spray Head, 180° downwards



A - Clipon B - Weldon C - Thread

Connection	DIN 11866	DN	RD	s	KD	h1	h2	d	H	m ³ /h at 1.5 bar	m ³ /h at 3 bar
Clipon	Series A (DIN)	10	13.2		30	17	8	2.2	78	2.3	3.1
Clipon	Series B (ISO)	10	17.4		30	17	8	2.2	78	2.3	3.1
Clipon	Series C (ASME)	8	12.9		30	17	8	2.2	78	2.3	3.1
Weldon	Series A (DIN)	15	19	1.5	30	26			90	2.3	3.1
Weldon	Series B (ISO)	10	17.2	1.6	30	26			90	2.3	3.1
Weldon	Series C (ASME)	15	19.05	1.65	30	26			90	2.3	3.1
Thread	BSP	8	G 1/4"		30	12			70	2.3	3.1
Thread	NPT	8	1/4"		30	12			70	2.3	3.1
Thread	BSP	8	G 3/8"		30	12			70	2.3	3.1
Thread	NPT	8	3/8"		30	12			70	2.3	3.1
Thread	NPSM	8	3/8"		30	12			70	2.3	3.1

Rotating Spray Head, 360°

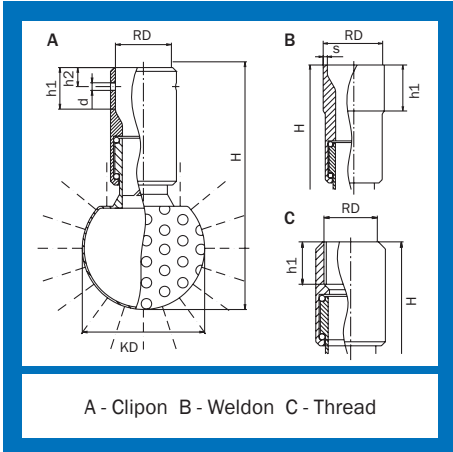
1.4571 (316Ti)			1.4435 (316L)		2.4602 (HC22)		
DN	Price/EUR	Article no.	Price/EUR	Article no.	Price/EUR	Article no.	
10	218,00	661 03 4000 1250	265,00	661 03 4000 1230	*	661 03 4000 1280	
10	218,00	661 03 7600 1250	265,00	661 03 7600 1230	*	661 03 7600 1280	
8	218,00	661 03 8900 1250	265,00	661 03 8900 1230	*	661 03 8900 1280	
15	218,00	661 03 4100 1650	265,00	661 03 4100 1630	*	661 03 4100 1680	
10	218,00	661 03 7600 1650	265,00	661 03 7600 1630	*	661 03 7600 1680	
15	218,00	661 03 9000 1650	265,00	661 03 9000 1630	*	661 03 9000 1680	
8	218,00	661 03 7500 1350	265,00	661 03 7500 1330	*	661 03 7500 1380	
8	218,00	661 03 7500 1450	265,00	661 03 7500 1430	*	661 03 7500 1480	
8	218,00	661 03 7600 1350	265,00	661 03 7600 1330	*	661 03 7600 1380	
8	218,00	661 03 7600 1450	265,00	661 03 7600 1430	*	661 03 7600 1480	
8	218,00	661 03 7600 1750	265,00	661 03 7600 1730	*	661 03 7600 1780	

Rotating Spray Head, 180° upwards

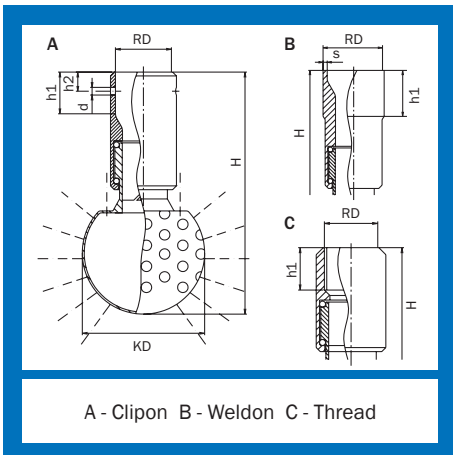
1.4571 (316Ti)			1.4435 (316L)		2.4602 (HC22)		
DN	Price/EUR	Article no.	Price/EUR	Article no.	Price/EUR	Article no.	
10	218,00	661 03 4000 4250	265,00	661 03 4000 4230	*	661 03 4000 4280	
10	218,00	661 03 7600 4250	265,00	661 03 7600 4230	*	661 03 7600 4280	
8	218,00	661 03 8900 4250	265,00	661 03 8900 4230	*	661 03 8900 4280	
15	218,00	661 03 4100 4650	265,00	661 03 4100 4630	*	661 03 4100 4680	
10	218,00	661 03 7600 4650	265,00	661 03 7600 4630	*	661 03 7600 4680	
15	218,00	661 03 9000 4650	265,00	661 03 9000 4630	*	661 03 9000 4680	
8	218,00	661 03 7500 4350	265,00	661 03 7500 4330	*	661 03 7500 4380	
8	218,00	661 03 7500 4450	265,00	661 03 7500 4430	*	661 03 7500 4480	
8	218,00	661 03 7600 4350	265,00	661 03 7600 4330	*	661 03 7600 4380	
8	218,00	661 03 7600 4450	265,00	661 03 7600 4430	*	661 03 7600 4480	
8	218,00	661 03 7600 4750	265,00	661 03 7600 4730	*	661 03 7600 4780	

Rotating Spray Head, 180° downwards

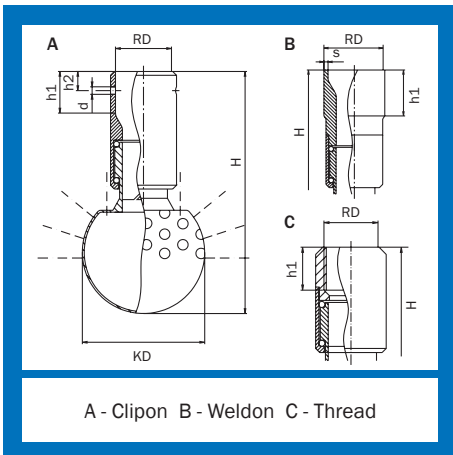
1.4571 (316Ti)			1.4435 (316L)		2.4602 (HC22)		
DN	Price/EUR	Article no.	Price/EUR	Article no.	Price/EUR	Article no.	
10	218,00	661 03 4000 5250	265,00	661 03 4000 5230	*	661 03 4000 5280	
10	218,00	661 03 7600 5250	265,00	661 03 7600 5230	*	661 03 7600 5280	
8	218,00	661 03 8900 5250	265,00	661 03 8900 5230	*	661 03 8900 5280	
15	218,00	661 03 4100 5650	265,00	661 03 4100 5630	*	661 03 4100 5680	
10	218,00	661 03 7600 5650	265,00	661 03 7600 5630	*	661 03 7600 5680	
15	218,00	661 03 9000 5650	265,00	661 03 9000 5630	*	661 03 9000 5680	
8	218,00	661 03 7500 5350	265,00	661 03 7500 5330	*	661 03 7500 5380	
8	218,00	661 03 7500 5450	265,00	661 03 7500 5430	*	661 03 7500 5480	
8	218,00	661 03 7600 5350	265,00	661 03 7600 5330	*	661 03 7600 5380	
8	218,00	661 03 7600 5450	265,00	661 03 7600 5430	*	661 03 7600 5480	
8	218,00	661 03 7600 5750	265,00	661 03 7600 5730	*	661 03 7600 5780	



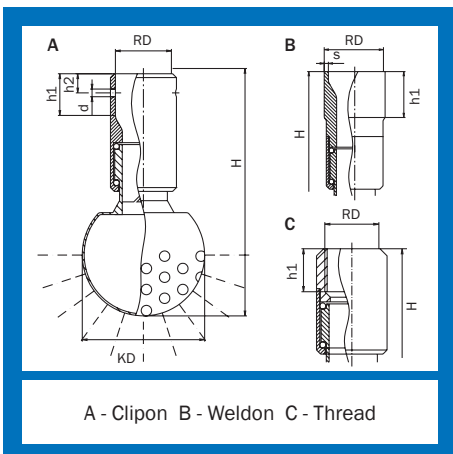
Rotating Spray Head, 360°											
Connection	DIN 11866	DN	RD	s	KD	h1	h2	d	H	m³/h at 1.5 bar	m³/h at 3 bar
Clipon	Series A (DIN)	15	19.3		40	17	8	3	88	5.8	8.2
Clipon	Series B (ISO)	15	21.6		40	17	8	3	88	5.8	8.2
Clipon	Series C (ASME)	15	19.3		40	17	8	3	88	5.8	8.2
Weldon	Series A (DIN)	20	23	1.5	40	27			102	5.3	7.4
Weldon	Series B (ISO)	15	21.3	1.6	40	27			102	5.3	7.4
Weldon	Series C (ASME)	15	19.05	1.65	40	27			102	5.3	7.4
Thread	BSP	10	G 3/8"		40	12			80	5.3	7.4
Thread	NPT	10	3/8"		40	12			80	5.3	7.4
Thread	BSP	10	G 1/2"		40	12			80	5.3	7.4
Thread	NPT	10	1/2"		40	12			80	5.3	7.4
Thread	NPSM	10	1/2"		40	12			80	5.3	7.4



Rotating Spray Head, 270° upwards											
Connection	DIN 11866	DN	RD	s	KD	h1	h2	d	H	m³/h at 1.5 bar	m³/h at 3 bar
Clipon	Series A (DIN)	15	19.3		40	17	8	3	88	5.6	8
Clipon	Series B (ISO)	15	21.6		40	17	8	3	88	5.6	8
Clipon	Series C (ASME)	15	19.3		40	17	8	3	88	5.6	8
Weldon	Series A (DIN)	20	23	1.5	40	27			102	5.1	7.2
Weldon	Series B (ISO)	15	21.3	1.6	40	27			102	5.1	7.2
Weldon	Series C (ASME)	15	19.05	1.65	40	27			102	5.1	7.2
Thread	BSP	10	G 3/8"		40	12			80	5.1	7.2
Thread	NPT	10	3/8"		40	12			80	5.1	7.2
Thread	BSP	10	G 1/2"		40	12			80	5.1	7.2
Thread	NPT	10	1/2"		40	12			80	5.1	7.2
Thread	NPSM	10	1/2"		40	12			80	5.1	7.2



Rotating Spray Head, 180° upwards											
Connection	DIN 11866	DN	RD	s	KD	h1	h2	d	H	m³/h at 1.5 bar	m³/h at 3 bar
Clipon	Series A (DIN)	15	19.3		40	17	8	3	88	5.5	7.9
Clipon	Series B (ISO)	15	21.6		40	17	8	3	88	5.5	7.9
Clipon	Series C (ASME)	15	19.3		40	17	8	3	88	5.5	7.9
Weldon	Series A (DIN)	20	23	1.5	40	27			102	5	7.1
Weldon	Series B (ISO)	15	21.3	1.6	40	27			102	5	7.1
Weldon	Series C (ASME)	15	19.05	1.65	40	27			102	5	7.1
Thread	BSP	10	G 3/8"		40	12			80	5	7.1
Thread	NPT	10	3/8"		40	12			80	5	7.1
Thread	BSP	10	G 1/2"		40	12			80	5	7.1
Thread	NPT	10	1/2"		40	12			80	5	7.1
Thread	NPSM	10	1/2"		40	12			80	5	7.1



Rotating Spray Head, 180° downwards											
Connection	DIN 11866	DN	RD	s	KD	h1	h2	d	H	m³/h at 1.5 bar	m³/h at 3 bar
Clipon	Series A (DIN)	15	19.3		40	17	8	3	88	5.4	7.8
Clipon	Series B (ISO)	15	21.6		40	17	8	3	88	5.4	7.8
Clipon	Series C (ASME)	15	19.3		40	17	8	3	88	5.4	7.8
Weldon	Series A (DIN)	20	23	1.5	40	27			102	4.9	7
Weldon	Series B (ISO)	15	21.3	1.6	40	27			102	4.9	7
Weldon	Series C (ASME)	15	19.05	1.65	40	27			102	4.9	7
Thread	BSP	10	G 3/8"		40	12			80	4.9	7
Thread	NPT	10	3/8"		40	12			80	4.9	7
Thread	BSP	10	G 1/2"		40	12			80	4.9	7
Thread	NPT	10	1/2"		40	12			80	4.9	7
Thread	NPSM	10	1/2"		40	12			80	4.9	7

Rotating Spray Head, 360°

1.4571 (316Ti)			1.4435 (316L)		2.4602 (HC22)	
DN	Price/EUR	Article no.	Price/EUR	Article no.	Price/EUR	Article no.
15	234,00	661 04 4100 1250	273,00	661 04 4100 1230	*	661 04 4100 1280
15	234,00	661 04 7700 1250	273,00	661 04 7700 1230	*	661 04 7700 1280
15	234,00	661 04 9000 1250	273,00	661 04 9000 1230	*	661 04 9000 1280
20	234,00	661 04 4200 1650	273,00	661 04 4200 1630	*	661 04 4200 1680
15	234,00	661 04 7700 1650	273,00	661 04 7700 1630	*	661 04 7700 1680
15	234,00	661 04 9000 1650	273,00	661 04 9000 1630	*	661 04 9000 1680
10	234,00	661 04 7600 1350	273,00	661 04 7600 1330	*	661 04 7600 1380
10	234,00	661 04 7600 1450	273,00	661 04 7600 1430	*	661 04 7600 1480
10	234,00	661 04 7700 1350	273,00	661 04 7700 1330	*	661 04 7700 1380
10	234,00	661 04 7700 1450	273,00	661 04 7700 1430	*	661 04 7700 1480
10	234,00	661 04 7700 1750	273,00	661 04 7700 1730	*	661 04 7700 1780

Rotating Spray Head, 270° upwards

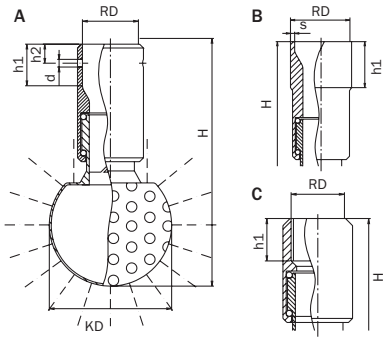
1.4571 (316Ti)			1.4435 (316L)		2.4602 (HC22)	
DN	Price/EUR	Article no.	Price/EUR	Article no.	Price/EUR	Article no.
15	234,00	661 04 4100 2250	273,00	661 04 4100 2230	*	661 04 4100 2280
15	234,00	661 04 7700 2250	273,00	661 04 7700 2230	*	661 04 7700 2280
15	234,00	661 04 9000 2250	273,00	661 04 9000 2230	*	661 04 9000 2280
20	234,00	661 04 4200 2650	273,00	661 04 4200 2630	*	661 04 4200 2680
15	234,00	661 04 7700 2650	273,00	661 04 7700 2630	*	661 04 7700 2680
15	234,00	661 04 9000 2650	273,00	661 04 9000 2630	*	661 04 9000 2680
10	234,00	661 04 7600 2350	273,00	661 04 7600 2330	*	661 04 7600 2380
10	234,00	661 04 7600 2450	273,00	661 04 7600 2430	*	661 04 7600 2480
10	234,00	661 04 7700 2350	273,00	661 04 7700 2330	*	661 04 7700 2380
10	234,00	661 04 7700 2450	273,00	661 04 7700 2430	*	661 04 7700 2480
10	234,00	661 04 7700 2750	273,00	661 04 7700 2730	*	661 04 7700 2780

Rotating Spray Head, 180° upwards

1.4571 (316Ti)			1.4435 (316L)		2.4602 (HC22)	
DN	Price/EUR	Article no.	Price/EUR	Article no.	Price/EUR	Article no.
15	234,00	661 04 4100 4250	273,00	661 04 4100 4230	*	661 04 4100 4280
15	234,00	661 04 7700 4250	273,00	661 04 7700 4230	*	661 04 7700 4280
15	234,00	661 04 9000 4250	273,00	661 04 9000 4230	*	661 04 9000 4280
20	234,00	661 04 4200 4650	273,00	661 04 4200 4630	*	661 04 4200 4680
15	234,00	661 04 7700 4650	273,00	661 04 7700 4630	*	661 04 7700 4680
15	234,00	661 04 9000 4650	273,00	661 04 9000 4630	*	661 04 9000 4680
10	234,00	661 04 7600 4350	273,00	661 04 7600 4330	*	661 04 7600 4380
10	234,00	661 04 7600 4450	273,00	661 04 7600 4430	*	661 04 7600 4480
10	234,00	661 04 7700 4350	273,00	661 04 7700 4330	*	661 04 7700 4380
10	234,00	661 04 7700 4450	273,00	661 04 7700 4430	*	661 04 7700 4480
10	234,00	661 04 7700 4750	273,00	661 04 7700 4730	*	661 04 7700 4780

Rotating Spray Head, 180° downwards

1.4571 (316Ti)			1.4435 (316L)		2.4602 (HC22)	
DN	Price/EUR	Article no.	Price/EUR	Article no.	Price/EUR	Article no.
15	234,00	661 04 4100 5250	273,00	661 04 4100 5230	*	661 04 4100 5280
15	234,00	661 04 7700 5250	273,00	661 04 7700 5230	*	661 04 7700 5280
15	234,00	661 04 9000 5250	273,00	661 04 9000 5230	*	661 04 9000 5280
20	234,00	661 04 4200 5650	273,00	661 04 4200 5630	*	661 04 4200 5680
15	234,00	661 04 7700 5650	273,00	661 04 7700 5630	*	661 04 7700 5680
15	234,00	661 04 9000 5650	273,00	661 04 9000 5630	*	661 04 9000 5680
10	234,00	661 04 7600 5350	273,00	661 04 7600 5330	*	661 04 7600 5380
10	234,00	661 04 7600 5450	273,00	661 04 7600 5430	*	661 04 7600 5480
10	234,00	661 04 7700 5350	273,00	661 04 7700 5330	*	661 04 7700 5380
10	234,00	661 04 7700 5450	273,00	661 04 7700 5430	*	661 04 7700 5480
10	234,00	661 04 7700 5750	273,00	661 04 7700 5730	*	661 04 7700 5780

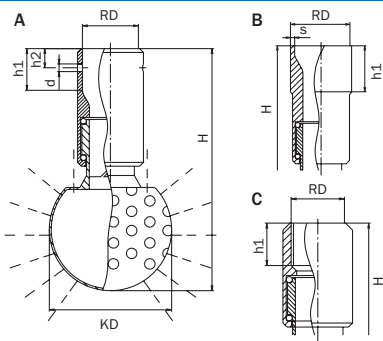


A - Clipon B - Weldon C - Thread

Rotating Spray Head, 360°

Connection	DIN 11866	DN	RD	s	KD	h1	h2	d	H	m³/h at 1.5 bar	m³/h at 3 bar
Clipon	Series A (DIN)	25	29.3		64	21	10	4	130	11.9	15.3
Clipon	Series B (ISO)	20	27.2		64	21	10	4	130	11.9	15.3
Clipon	Series C (ASME)	20	25.7		64	21	10		130	11.9	15.3
Weldon	Series A (DIN)	32	35	1.5	64	27			140	10.9	15.1
Weldon	Series B (ISO)	25	33.7	2	64	27			140	10.9	15.1
Weldon	Series C (ASME)	20	25.4	1.65	64	27			140	10.9	15.1
Thread	BSP	20	G 3/4"		64	21			120	10.9	15.1
Thread	NPT	20	3/4"		64	21			120	10.9	15.1
Thread	NPSM	20	3/4"		64	21			120	10.9	15.1

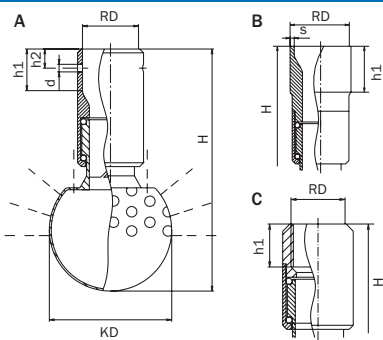
Rotating Spray Head, 270° upwards



A - Clipon B - Weldon C - Thread

Connection	DIN 11866	DN	RD	s	KD	h1	h2	d	H	m³/h at 1.5 bar	m³/h at 3 bar
Clipon	Series A (DIN)	25	29.3		64	21	10	4	130	10.9	14.3
Clipon	Series B (ISO)	20	27.2		64	21	10	4	130	10.9	14.3
Clipon	Series C (ASME)	20	25.7		64	21	10	4	130	10.9	14.3
Weldon	Series A (DIN)	32	35	1.5	64	27			140	10	14.1
Weldon	Series B (ISO)	25	33.7	1.6	64	27			140	10	14.1
Weldon	Series C (ASME)	20	25.4	1.65	64	27			140	10	14.1
Thread	BSP	20	G 3/4"		64	21			120	10	14.1
Thread	NPT	20	3/4"		64	21			120	10	14.1
Thread	NPSM	20	3/4"		64	21			120	10	14.1

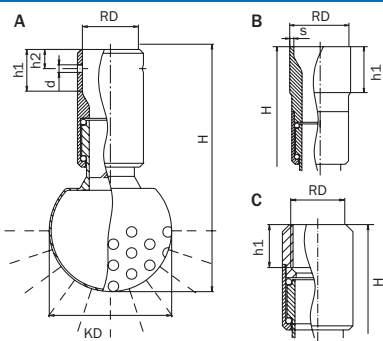
Rotating Spray Head, 180° upwards



A - Clipon B - Weldon C - Thread

Connection	DIN 11866	DN	RD	s	KD	h1	h2	d	H	m³/h at 1.5 bar	m³/h at 3 bar
Clipon	Series A (DIN)	25	29.3		64	21	10	4	130	10.2	14.3
Clipon	Series B (ISO)	20	27.2		64	21	10	4	130	10.2	14.3
Clipon	Series C (ASME)	20	25.7		64	21	10	4	130	10.2	14.3
Weldon	Series A (DIN)	32	35	1.5	64	27			140	9.3	13.1
Weldon	Series B (ISO)	25	33.7	1.6	64	27			140	9.3	13.1
Weldon	Series C (ASME)	20	25.4	1.65	64	27			140	9.3	13.1
Thread	BSP	20	G 3/4"		64	21			120	9.3	13.1
Thread	NPT	20	3/4"		64	21			120	9.3	13.1
Thread	NPSM	20	3/4"		64	21			120	9.3	13.1

Rotating Spray Head, 180° downwards



A - Clipon B - Weldon C - Thread

Connection	DIN 11866	DN	RD	s	KD	h1	h2	d	H	m³/h at 1.5 bar	m³/h at 3 bar
Clipon	Series A (DIN)	25	29.3		64	21	10	4	130	9.4	13.1
Clipon	Series B (ISO)	20	27.2		64	21	10	4	130	9.4	13.1
Clipon	Series C (ASME)	20	25.7		64	21	10	4	130	9.4	13.1
Weldon	Series A (DIN)	32	35	1.5	64	27			140	8.6	12.2
Weldon	Series B (ISO)	25	33.7	1.6	64	27			140	8.6	12.2
Weldon	Series C (ASME)	20	25.4	1.65	64	27			140	8.6	12.2
Thread	BSP	20	G 3/4"		64	21			120	8.6	12.2
Thread	NPT	20	3/4"		64	21			120	8.6	12.2
Thread	NPSM	20	3/4"		64	21			120	8.6	12.2

Rotating Spray Head, 360°

1.4571 (316Ti)			1.4435 (316L)	
DN	Price/EUR	Article no.	Price/EUR	Article no.
25	255,00	661 05 4300 1250	305,00	661 05 4300 1230
20	255,00	661 05 7800 1250	305,00	661 05 7800 1230
20	255,00	661 05 9100 1250	305,00	661 05 9100 1230
32	255,00	661 05 4400 1650	305,00	661 05 4400 1630
25	255,00	661 05 7900 1650	305,00	661 05 7900 1630
20	255,00	661 05 9100 1650	305,00	661 05 9100 1630
20	255,00	661 05 7800 1350	305,00	661 05 7800 1330
20	255,00	661 05 7800 1450	305,00	661 05 7800 1430
20	255,00	661 05 7800 1750	305,00	661 05 7800 1730

Rotating Spray Head, 270° upwards

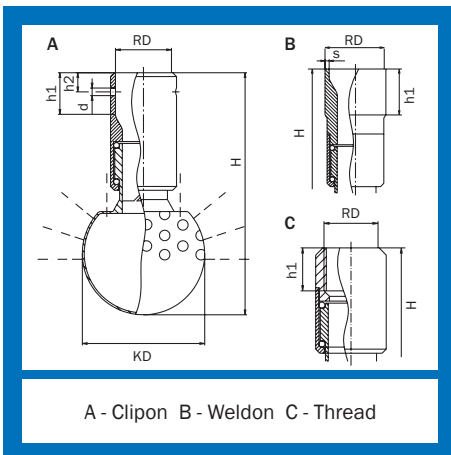
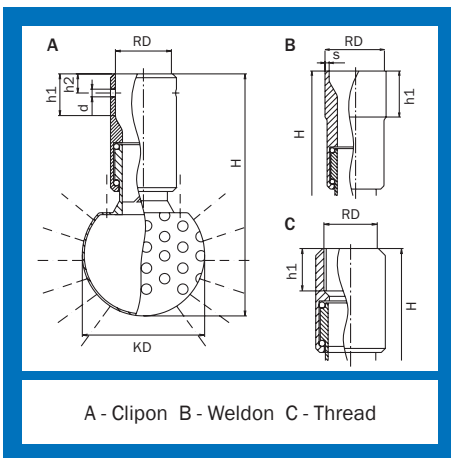
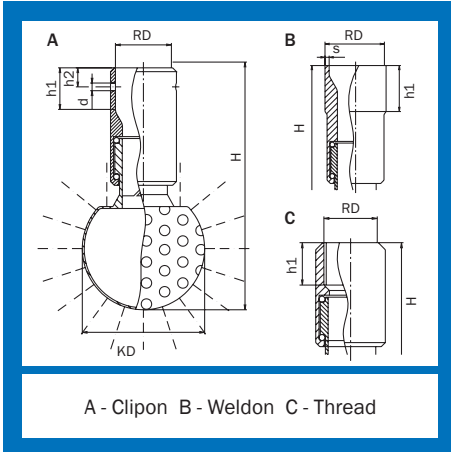
1.4571 (316Ti)			1.4435 (316L)	
DN	Price/EUR	Article no.	Price/EUR	Article no.
25	255,00	661 05 4300 2250	305,00	661 05 4300 2230
20	255,00	661 05 7800 2250	305,00	661 05 7800 2230
20	255,00	661 05 9100 2250	305,00	661 05 9100 2230
32	255,00	661 05 4400 2650	305,00	661 05 4400 2630
25	255,00	661 05 7900 2650	305,00	661 05 7900 2630
20	255,00	661 05 9100 2650	305,00	661 05 9100 2630
20	255,00	661 05 7800 2350	305,00	661 05 7800 2330
20	255,00	661 05 7800 2450	305,00	661 05 7800 2430
20	255,00	661 05 7800 2750	305,00	661 05 7800 2730

Rotating Spray Head, 180° upwards

1.4571 (316Ti)			1.4435 (316L)	
DN	Price/EUR	Article no.	Price/EUR	Article no.
25	255,00	661 05 4300 4250	305,00	661 05 4300 4230
20	255,00	661 05 7800 4250	305,00	661 05 7800 4230
20	255,00	661 05 9100 4250	305,00	661 05 9100 4230
32	255,00	661 05 4400 4650	305,00	661 05 4400 4630
25	255,00	661 05 7900 4650	305,00	661 05 7900 4630
20	255,00	661 05 9100 4650	305,00	661 05 9100 4630
20	255,00	661 05 7800 4350	305,00	661 05 7800 4330
20	255,00	661 05 7800 4450	305,00	661 05 7800 4430
20	255,00	661 05 7800 4750	305,00	661 05 7800 4730

Rotating Spray Head, 180° downwards

1.4571 (316Ti)			1.4435 (316L)	
DN	Price/EUR	Article no.	Price/EUR	Article no.
25	255,00	661 05 4300 5250	305,00	661 05 4300 5230
20	255,00	661 05 7800 5250	305,00	661 05 7800 5230
20	255,00	661 05 9100 5250	305,00	661 05 9100 5230
32	255,00	661 05 4400 5650	305,00	661 05 4400 5630
25	255,00	661 05 7900 5650	305,00	661 05 7900 5630
20	255,00	661 05 9100 5650	305,00	661 05 9100 5630
20	255,00	661 05 7800 5350	305,00	661 05 7800 5330
20	255,00	661 05 7800 5450	305,00	661 05 7800 5430
20	255,00	661 05 7800 5750	305,00	661 05 7800 5730



Rotating Spray Head, 360°

Connection	DIN 11866	DN	RD	s	KD	h1	h2	d	H	m³/h at 1.5 bar	m³/h at 3 bar
Clipon	Series A (DIN)	40	41.3		90	28	13	5.5	183	20.8	28.9
Clipon	Series B (ISO)	32	42.7		90	28	13	5.5	183	20.8	28.9
Clipon	Series C (ASME)	32	38.4		90	28	13	5.5	183	20.8	28.9
Clipon	Series 1 (DIN 11850) and old series	32	34.3		90	28	13	5.5	183	20.8	28.9
Clipon	Series 1 (DIN 11850) and old series	40	40.3		90	28	13	5.5	183	20.8	28.9
Weldon	Series A (DIN)	40	41	1.5	90	32			185	19.3	26.7
Weldon	Series B (ISO)	32	42.4	2	90	32			185	19.3	26.7
Weldon	Series C (ASME)	32	38.1	1.5	90	32			185	19.3	26.7
Thread	BSP	25	G 1"		90	25			160	19.3	26.7
Thread	NPT	25	1"		90	25			160	19.3	26.7
Thread	NPSM	25	1"		90	25			160	19.3	26.7

Rotating Spray Head, 270° upwards

Connection	DIN 11866	DN	RD	s	KD	h1	h2	d	H	m³/h at 1.5 bar	m³/h at 3 bar
Clipon	Series A (DIN)	40	41.3		90	28	13	5.5	183	20.4	28.7
Clipon	Series B (ISO)	32	42.7		90	28	13	5.5	183	20.4	28.7
Clipon	Series C (ASME)	32	38.4		90	28	13	5.5	183	20.4	28.7
Clipon	Series 1 (DIN 11850) and old series	32	34.3		90	28	13	5.5	183	20.4	28.7
Clipon	Series 1 (DIN 11850) and old series	40	40.3		90	28	13	5.5	183	20.4	28.7
Weldon	Series A (DIN)	40	41	1.5	90	32			185	18.9	26.5
Weldon	Series B (ISO)	32	42.4	2	90	32			185	18.9	26.5
Weldon	Series C (ASME)	32	38.1	1.65	90	32			185	18.9	26.5
Thread	BSP	25	G 1"		90	25			160	18.9	26.5
Thread	NPT	25	1"		90	25			160	18.9	26.5
Thread	NPSM	25	1"		90	25			160	18.9	26.5

Rotating Spray Head, 180° upwards

Connection	DIN 11866	DN	RD	s	KD	h1	h2	d	H	m³/h at 1.5 bar	m³/h at 3 bar
Clipon	Series A (DIN)	40	41.3		90	28	13	5.5	183	17.4	25.9
Clipon	Series B (ISO)	32	42.7		90	28	13	5.5	183	17.4	25.9
Clipon	Series C (ASME)	32	38.4		90	28	13	5.5	183	17.4	25.9
Weldon	Series A (DIN)	40	41	1.5	90	32			185	16.9	23.7
Weldon	Series B (ISO)	32	42.4	2	90	32			185	16.9	23.7
Weldon	Series C (ASME)	32	38.1	1.65	90	32			185	16.9	23.7
Thread	BSP	25	G 1"		90	25			160	16.9	23.7
Thread	NPT	25	1"		90	25			160	16.9	23.7
Thread	NPSM	25	1"		90	25			160	16.9	23.7

Rotating Spray Head, 360°

1.4571 (316Ti)		
DN	Price/EUR	Article no.
40	385,00	661 06 4500 1250
32	385,00	661 06 8000 1250
32	385,00	661 06 9200 1250
32	385,00	661 06 A500 1250
40	385,00	661 06 A600 1250
40	385,00	661 06 4500 1650
32	385,00	661 06 8000 1650
32	385,00	661 06 9200 1650
25	385,00	661 06 7900 1350
25	385,00	661 06 7900 1450
25	385,00	661 06 7900 1750

Rotating Spray Head, 270° upwards

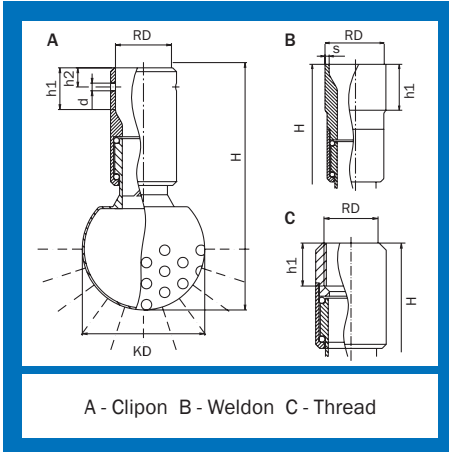
1.4571 (316Ti)		
DN	Price/EUR	Article no.
40	385,00	661 06 4500 2250
32	385,00	661 06 8000 2250
32	385,00	661 06 9200 2250
32	385,00	661 06 A500 2250
40	385,00	661 06 A600 2250
40	385,00	661 06 4500 2650
32	385,00	661 06 8000 2650
32	385,00	661 06 9200 2650
25	385,00	661 06 7900 2350
25	385,00	661 06 7900 2450
25	385,00	661 06 7900 2750

Rotating Spray Head, 180° upwards

1.4571 (316Ti)		
DN	Price/EUR	Article no.
40	364,00	661 06 4500 4250
32	364,00	661 06 8000 4250
32	364,00	661 06 9200 4250
40	364,00	661 06 4500 4650
32	364,00	661 06 8000 4650
32	364,00	661 06 9200 4650
25	364,00	661 06 7900 4350
25	364,00	661 06 7900 4450
25	364,00	661 06 7900 4750

TANKO® RB90

Rotating Spray Head, 180° downwards

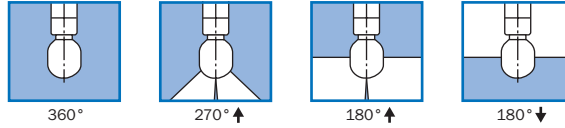


Connection	DIN 11866	DN	RD	s	KD	h1	h2	d	H	m ³ /h at 1.5 bar	m ³ /h at 3 bar
Clipon	Series A (DIN)	40	41.3		90	28	13	5.5	183	17.8	25.2
Clipon	Series B (ISO)	32	42.7		90	28	13	5.5	183	17.8	25.2
Clipon	Series C (ASME)	32	38.4		90	28	13	5.5	183	17.8	25.2
Weldon	Series A (DIN)	40	41	1.5	90	32			185	16.3	23
Weldon	Series B (ISO)	32	42.4	2	90	32			185	16.3	23
Weldon	Series C (ASME)	32	38.1	1.65	90	32			185	16.3	23
Thread	BSP	25	G 1"		90	25			160	16.3	23
Thread	NPT	25	1"		90	25			160	16.3	23
Thread	NPSM	25	1"		90	25			160	16.3	23

Rotating Spray Head, 180° downwards

1.4571 (316Ti)		
DN	Price/EUR	Article no.
40	364,00	661 06 4500 5250
32	364,00	661 06 8000 5250
32	364,00	661 06 9200 5250
40	364,00	661 06 4500 5650
32	364,00	661 06 8000 5650
32	364,00	661 06 9200 5650
25	364,00	661 06 7900 5350
25	364,00	661 06 7900 5450
25	364,00	661 06 7900 5750

Static Spray Heads



Static spray heads are a proven accessory for cleaning tanks and vessels. The typical area of application is for simple cleaning tasks in the low pressure range between 0.5 and 2.5 bar. It should be noted that the use of a static spray head is often based on the acquisition costs.

An exact evaluation of the various factors to be considered in making a decision is very useful:

- Tank and vessel dimensions
- Use of the tank or vessel
- Acquisition costs and cleaning time
- Operating costs (cleaning medium consumption)
- Operating costs (dimensioning of pumps and piping)
- Removal of cleaning medium from the vessel to be cleaned

All consumption specifications are for orientation only.
The dimensions listed are in mm and are nominal dimensions.

Technical Parameters

Spray angle:	360°, 270° upwards, 180° upwards, 180° downwards
Materials:	1.4435 (316L), 1.4571 (316Ti), 2.4602 (HC22), others: 1.4404 (316L)
Connections:	Clipon, threaded, welded ends
Operating pressure:	Cleaning medium: 0.5 - 2.5 bar / 7.3 - 36.3 psi *
Working temperature:	Cleaning medium: max. 230 °C / 446 °F
Ambient temperature:	in the container: max. 250 °C / 482 °F
Volume flow rate:	0.6 - 78.7 m ³ /h / 10 - 1311.7 l/min / 2.6 - 346.5 gpm (US)*
Range:	Cleaning radius: 0.25 - 3 m / 0.8 - 9.8 ft *
Installation position:	all

*Depending on model and cleaning medium

Test conditions for the consumption and range charts:

Temperature:	20 - 30 °C / 68 - 86 °F
Measuring medium:	Water
Connection:	Thread connection

The consumption values for clipon connections can be up to 30% higher depending on the size of the connection, the range values may be lower.

The following Values for the Installation Depth are based on Experience

Type	Pressure at head (bar)	Installation depth (mm)	Weight [kg]
69M ...	0.5 - 1.5	200	0.010
69X ...	0.5 - 1.5	300	0.015
69Y ...	0.5 - 1.5	300 - 400	0.023
69A ...	1.5 - 2	500	0.050
69B ..	1 - 2.5	500 - 700	0.139
69F ...	1 - 2.5	500 - 700	0.143
69C ...	1 - 2.5	500 - 700	0.161
69D ...	1.5 - 3	600 - 800	0.353

Consumption Data

The volume flow rate m³/h (throughput) consumption data is provided in the product tables.

Static Spray Heads

Notes on Selection and Placement

We recommend using a spray head with a full-spray angle of 360° for removing stubborn soiling in situations where rotating spray heads or jet cleaners are not necessary. For low levels of soiling, we recommend using a 180° spray head for spraying the upper region of the tank or vessel. The lower region is then cleaned by the outflowing cleaning medium. The installation location is the decisive factor defining whether you need a spray head with 180° upwards or downwards. It may be necessary to consider any existing internal fittings and the spray shadows resulting from these. The spray shadows may require placement of an additional spray head.

Services

Measuring Report

Number of measuring points	Description	Net price/EUR
2	Roughness	25,00
3	Roughness	35,00
2	Δ-ferrite content	45,00

Material Certificates

Description	Net price/EUR
WAZ 3.1 - EN10204 - static spray head	15,00

Surface Treatment

Article no.	Description	Surcharge/EUR
... A	Surface treatment to $Ra \leq 0.5 \mu\text{m}$ (exterior)	67,00
... D	Electropolishing of static spray head (exterior), (1.4571 excluded)	59,00
... C	Electropolishing of static spray head to $Ra \leq 0.5 \mu\text{m}$ (exterior) (1.4571 excluded)	125,00

Article no.:

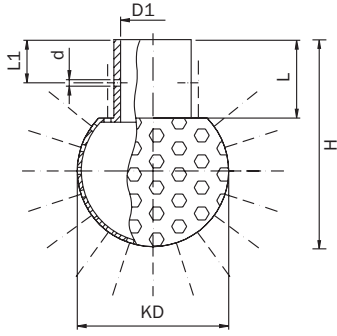
Please take the respective article number and add the corresponding treatment letter designation for example: **A** for $Ra \leq 0.5 \mu\text{m}$ (external) or **D** or **C**.

Example: 69A2-1-0425 static spray head, 360°

Example: 69A2-1-0425**A** static spray head, 360° $Ra \leq 0.5 \mu\text{m}$ (external)

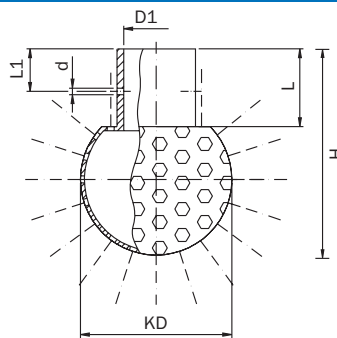
Static Spray Heads

Spray Head, 360° Perforation, Clipon



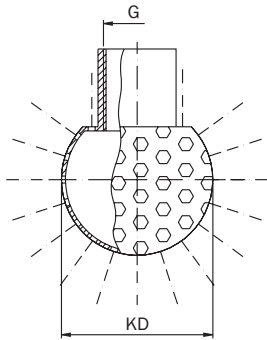
DN	D1	KD	d (Clip)	H	L	L1	m ³ /h at 1 bar	m ³ /h at 2.5 bar	Spray circle Ø m	Weight [kg]
8	8.2	20	2.2	32.5	15	9	0.5		max. 0.5	0.011
10	12.2	24	2.2	37.5	17	9	2		0.5 - 1	0.015
15	18.2	30	2.2	42	18	9	5.3		1 - 1.5	0.030
20	22.2	40	2.5	53	21	9	8.2	12	2 - 2.5	0.049
25	28.2	64	2.8	90	35	18	11.7	17	2 - 3	0.137
25/1	28.2	64	2.8	90	35	18	15.8	23.4	3 - 4	0.133
32	34.2	64	2.8	90	35	18	13.5	22.5	2.5 - 3.5	0.146
32/1	34.2	64	2.8	90	35	18	21.7	35.5	3 - 4	0.141
40	40.3	64	2.8	90	35	18	13.2	19.4	2.5 - 3.5	0.161
40/1	40.3	64	2.8	90	35	18	22.8	36.8	3 - 4	0.158
50	52.3	90	3.3	121.5	47.5	25	28.6	41.7	4 - 5	0.360
50/1	52.3	90	3.3	121.5	47.5	25	49.1	78.7	6	0.343

Spray Head, 360° Perforation, Clipon, Series C Pipe (ASME)



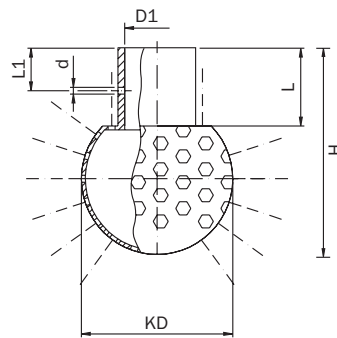
DN DIN 11866 (series C)	D1	KD	d (Clip)	H	L	L1	m ³ /h at 1 bar	m ³ /h at 2.5 bar	Spray circle Ø m	Weight [kg]
8	13	30	2.2	42	18	9	2.6		1 - 1.5	0.030
15	19.4	40	2.5	53	21	9	6.7	9.8	2 - 2.5	0.049
20	26	64	2.8	90	35	18	11	17.3	2 - 3	0.137
32	38.4	64	2.8	90	35	18	11.8	19.2	2.5 - 3.5	0.161

Spray Head, 360° Perforation, Thread



DN	G	KD	m ³ /h at 1 bar	m ³ /h at 2.5 bar	Spray circle Ø m	Weight [kg]
8	G 1/8" A	20	0.6		max. 0.5	0.012
10	G 1/8" I	24	2.1		0.5 - 1	0.021
15	G 1/4" I	30	4.2		1 - 1.5	0.030
15	G 3/8" I	30	4.2		1 - 1.5	0.025
20	G 1/2" I	40	7.7	12.2	2 - 2.5	0.058
25	G 1" I	64	11	17.3	2 - 3	0.176
25/1	G 1" I	64	17.5	28.1	3 - 4	0.166
32	G 1" I	64	16.5	19.5	2.5 - 3.5	0.168
50	G 2" I	90	28.6	41.7	4 - 5	0.380
50/1	G 2" I	90	49.1	67	6	0.380

Spray Head, 270° upwards Perforation, Clipon



DN	D1	KD	d (Clip)	H	L	L1	m ³ /h at 1 bar	m ³ /h at 2.5 bar	Spray circle Ø m	Weight [kg]
20	22.2	40	2.5	53	21	9	7.5	11.8	2 - 2.5	0.048
25	28.2	64	2.8	90	35	18	10	15.8	2 - 3	0.136
25/1	28.2	64	2.8	90	35	18	16	26.2	3 - 4	0.168
32	34.2	64	2.8	90	35	18	11.4	18.6	2.5 - 3.5	0.147
32/1	34.2	64	2.8	90	35	18	20	32.6	3 - 4	0.142
40	40.3	64	2.8	90	35	18	10.4	16.2	2.5 - 3.5	0.163
40/1	40.3	64	2.8	90	35	18	18	30.0	3 - 4	0.160
50	52.3	90	3.3	121.5	47.5	25	27.7	45.0	4 - 4.5	0.360
50/1	52.3	90	3.3	121.5	47.5	25	45	74.3	6	0.348

Static Spray Heads

Spray Head, 360° Perforation, Clipon

1.4571 (316Ti)			1.4435 (316L)		2.4602 (HC22)		
DN	Price/EUR	Article no.	Price/EUR	Article no.	Price/EUR	Article no.	
8	69,64	69M1-1-3825	83,57	69M1-1-3823			
10	69,64	69X1-1-0125	83,57	69X1-1-0123	289,53	69X1-1-0128	
15	74,24	69Y1-1-0325	89,14	69Y1-1-0323	296,49	69Y1-1-0328	
20	75,14	69A2-1-0425	90,12	69A2-1-0423	341,06	69A2-1-0428	
25	79,46	69B3-1-0525	95,34	69B3-1-0523	411,45	69B3-1-0528	
25/1	102,17	69B5-1-0525	122,50	69B5-1-0523			
32	103,70	69F4-1-0625	124,45	69F4-1-0623	459,46	69F4-1-0628	
32/1	127,73	69F5-1-0625	153,21	69F5-1-0623			
40	108,64	69C4-1-0725	130,37	69C4-1-0723	495,76	69C4-1-0728	
40/1	133,44	69C5-1-0725	160,04	69C5-1-0723			
50	165,05	69D4-1-0825					
50/1	209,69	69D5-1-0825					

Spray Head, 360° Perforation, Clipon, Series C Pipe (ASME)

1.4571 (316Ti)			1.4435 (316L)		
DN	Price/EUR	Article no.	Price/EUR	Article no.	
8	82,27	69Y1-1-8925	98,77	69Y1-1-8923	
15	83,29	69A2-1-9025	99,86	69A2-1-9023	
20	88,04	69B3-1-9125	105,63	69B3-1-9123	
32	120,38	69C4-1-9225	144,47	69C4-1-9223	

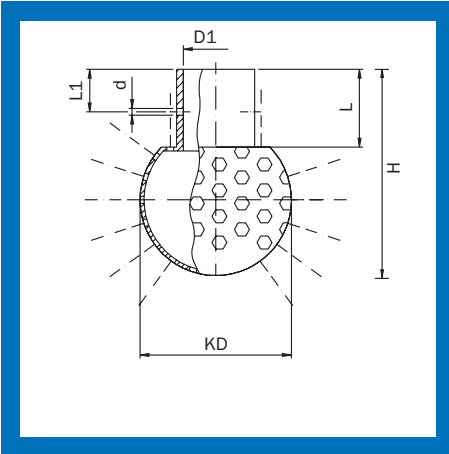
Spray Head, 360° Perforation, Thread

1.4571 (316Ti)			1.4435 (316L)		2.4602 (HC22)		
DN	Price/EUR	Article no.	Price/EUR	Article no.	Price/EUR	Article no.	
8	69,64	69M1-1-7485					
10			81,64	69X1-1-7433			
15	74,24	69Y1-1-7535	89,14	69Y1-1-7533			
15	74,24	69Y1-1-7635	89,14	69Y1-1-7633	390,49	69Y1-1-7638	
20	75,14	69A2-1-7735	90,12	69A2-1-7733	420,06	69A2-1-7738	
25	79,46	69B3-1-7935	95,34	69B3-1-7933	610,45	69B3-1-7938	
25/1	102,17	69B5-1-7935	122,50	69B5-1-7933			
32	103,70	69F4-1-7935	124,45	69F4-1-7933	672,33	69F4-1-7938	
50	165,05	69D4-1-8235					
50/1	209,69	69D5-1-8235					

Spray Head, 270° upwards Perforation, Clipon

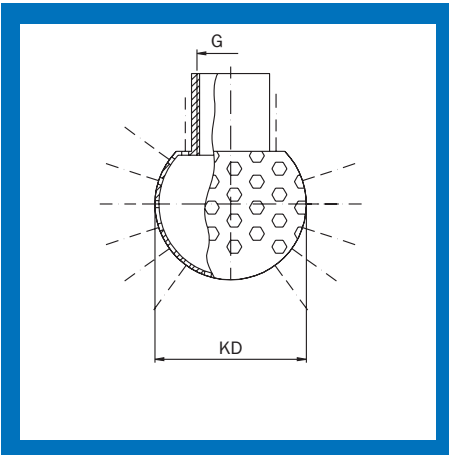
1.4571 (316Ti)			1.4435 (316L)		2.4602 (HC22)		
DN	Price/EUR	Article no.	Price/EUR	Article no.	Price/EUR	Article no.	
20	75,14	69A2-4-0425	90,12	69A2-4-0423	341,06	69A2-4-0428	
25	75,98	69B3-4-0525	91,23	69B3-4-0523	411,45	69B3-4-0528	
25/1	97,29	69B5-4-0525	116,72	69B5-4-0523			
32	103,70	69F4-4-0625	124,45	69F4-4-0623	459,46	69F4-4-0628	
32/1	127,73	69F5-4-0625	153,21	69F5-4-0623			
40	108,64	69C4-4-0725	130,37	69C4-4-0723	495,76	69C4-4-0728	
40/1	133,44	69C5-4-0725	160,04	69C5-4-0723			
50	165,05	69D4-4-0825					
50/1	209,69	69D5-4-0825					

Static Spray Heads



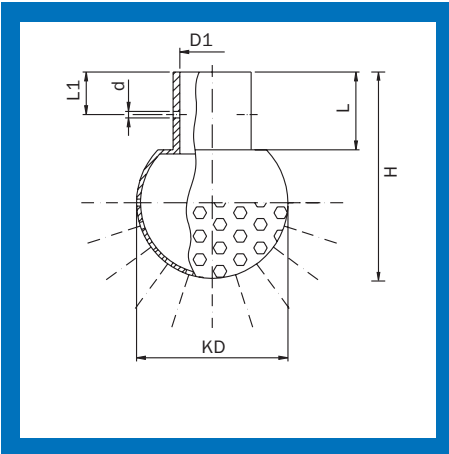
Spray Head, 270° upwards Perforation, Clipon, Series C Pipe (ASME)

DN DIN 11866 (series C)	D1	KD	d (Clip)	H	L	L1	m ³ /h at 1 bar	m ³ /h at 2.5 bar	Spray circle Ø m	Weight [kg]
15	19.4	40	2.5	53	21	9	7.5	11.8	2 - 2.5	0.049
20	26	64	2.8	90	35	18	10	15.8	2 - 3	0.137
32	38.4	64	2.8	90	35	18	10.4	16.2	2.5 - 3.5	0.161



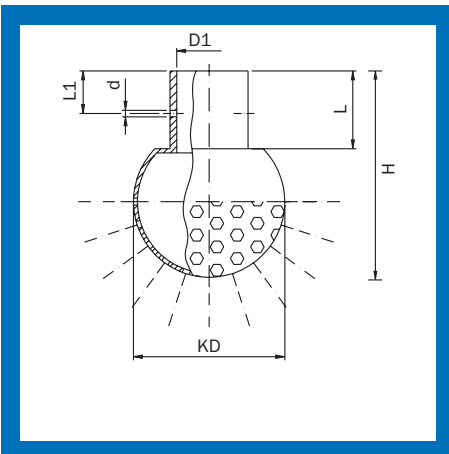
Spray Head, 270° upwards Perforation, Thread

DN	G	KD	m ³ /h at 1 bar	m ³ /h at 2.5 bar	Spray circle Ø m	Weight [kg]
20	G 1/2" I	40	7.5	11.8	2 - 2.5	0.055
25	G 1" I	64	10	15.8	2 - 3	0.184
25/1	G 1" I	64	16	26.2	3 - 4	0.170
32	G 1" I	64	11.4	18.6	2.5 - 3.5	0.168
50	G 2" I	90	27.7	45	4 - 4.5	0.360
50/1	G 2" I	90	45	74.3	6	0.380



Spray Head, 180° downwards Perforation, Clipon

DN	D1	KD	d (Clip)	H	L	L1	m ³ /h at 1 bar	m ³ /h at 2.5 bar	Spray circle Ø m	Weight [kg]
10	12.2	24	2.2	37.5	17	9	1.1		0.5 - 1	0.016
15	18.2	30	2.2	42	18	9	2.5		1 - 1.5	0.023
20	22.2	40	2.5	53	21	9	6.3	9.8	2 - 2.5	0.049
25	28.2	64	2.8	90	35	18	7	10.9	2 - 3	0.137
25/1	28.2	64	2.8	90	35	18	12.4	20	3 - 4	0.137
32	34.2	64	2.8	90	35	18	7.8	12.5	2.5 - 3.5	0.148
32/1	34.2	64	2.8	90	35	18	13.7	22	3 - 4	0.139
40	40.3	64	2.8	90	35	18	10.9	16.6	2.5 - 3.5	0.161
40/1	40.3	64	2.8	90	35	18	14	22.2	3 - 4	0.161
50	52.3	90	3.3	121.5	47.5	25	17	28	4 - 4.5	0.350
50/1	52.3	90	3.3	121.5	47.5	25	30.7	49.7	6	0.351



Spray Head, 180° downwards Perforation, Clipon, Series C Pipe (ASME)

DN DIN 11866 (series C)	D1	KD	d (Clip)	H	L	L1	m ³ /h at 1 bar	m ³ /h at 2.5 bar	Spray circle Ø m	Weight [kg]
8	13	30	2.2	42	18	9	2.5		1 - 1.5	0.030
15	19.4	40	2.5	53	21	9	6.3	9.8	2 - 2.5	0.049
20	26	64	2.8	90	35	18	7	10.9	2 - 3	0.137
32	38.4	64	2.8	90	35	18	10.9	16.6	2.5 - 3.5	0.161

Static Spray Heads

Spray Head, 270° upwards Perforation, Clipon, Series C Pipe (ASME)

1.4571 (316Ti)			1.4435 (316L)		
DN	Price/EUR	Article no.	Price/EUR	Article no.	
15	83,29	69A2-4-9025	99.86	69A2-4-9023	
20	88,04	69B3-4-9125	105.63	69B3-4-9123	
32	114,90	69C4-4-9225	137.90	69C4-4-9223	

Spray Head, 270° upwards Perforation, Thread

1.4571 (316Ti)			1.4435 (316L)		2.4602 (HC22)		
DN	Price/EUR	Article no.	Price/EUR	Article no.	Price/EUR	Article no.	
20	75,14	69A2-4-7735	90.12	69A2-4-7733	420.06	69A2-4-7738	
25	75,98	69B3-4-7935	91.23	69B3-4-7933	610.45	69B3-4-7938	
25/1	97,29	69B5-4-7935	116.72	69B5-4-7933			
32	103,70	69F4-4-7935	124.45	69F4-4-7933	672.33	69F4-4-7938	
50	165,05	69D4-4-8235					
50/1	209,69	69D5-4-8235					

Spray Head, 180° downwards Perforation, Clipon

1.4571 (316Ti)			1.4435 (316L)		2.4602 (HC22)		
DN	Price/EUR	Article no.	Price/EUR	Article no.	Price/EUR	Article no.	
10	69,64	69X1-3-0125	83.57	69X1-3-0123	289.53	69X1-3-0128	
15	74,24	69Y1-3-0325	89.14	69Y1-3-0323	296.49	69Y1-3-0328	
20	73,47	69A2-3-0425	88.10	69A2-3-0423	341.06	69A2-3-0428	
25	75,98	69B3-3-0525	91.23	69B3-3-0523	411.45	69B3-3-0528	
25/1	96,80	69B5-3-0525	116.09	69B5-3-0523			
32	97,78	69F4-3-0625	117.35	69F4-3-0623	459.46	69F4-3-0628	
32/1	121,94	69F5-3-0625	146.32	69F5-3-0623			
40	102,17	69C4-3-0725	122.50	69C4-3-0723	495.76	69C4-3-0728	
40/1	126,75	69C5-3-0725	160.04	69C5-3-0723			
50	154,54	69D4-3-0825					
50/1	198,34	69D5-3-0825					

Spray Head, 180° downwards Perforation, Clipon, Series C Pipe (ASME)

1.4571 (316Ti)			1.4435 (316L)		
DN	Price/EUR	Article no.	Price/EUR	Article no.	
8	82,27	69Y1-3-8925	98.77	69Y1-3-8923	
15	81,40	69A2-3-9025	97.60	69A2-3-9023	
20	84,24	69B3-3-9125	101.11	69B3-3-9123	
32	108,33	69C4-3-9225	130.01	69C4-3-9223	

Static Spray Heads

Spray Head, 180° downwards Perforation, Thread

DN	G	KD	m ³ /h at 1 bar	m ³ /h at 2.5 bar	Spray circle Ø m	Weight [kg]
10	G 1/8" I	24	1.1		0.5 - 1	0.021
15	G 1/4" I	30	2.5		1 - 1.5	0.031
15	G 3/8" I	30	2.5		1 - 1.5	0.032
20	G 1/2" I	40	6.3	9.8	2 - 2.5	0.057
25	G 1" I	64	7	10.9	2 - 3	0.184
25/1	G 1" I	64	12.4	20	3 - 4	0.184
32	G 1" I	64	7.8	12.5	2.5 - 3.5	0.169
50	G 2" I	90	17	28	4 - 4.5	0.380
50/1	G 2" I	90	30.7	49.7	6	0.380

Spray Head, 180° upwards Perforation, Clipon

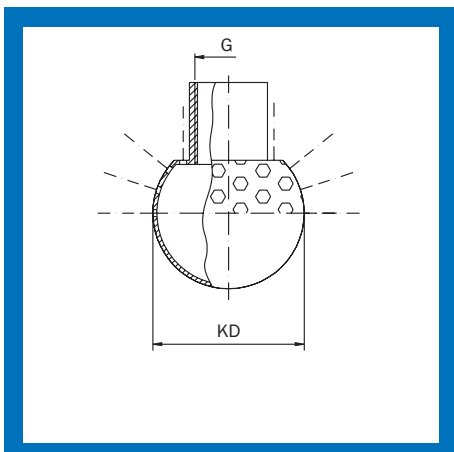
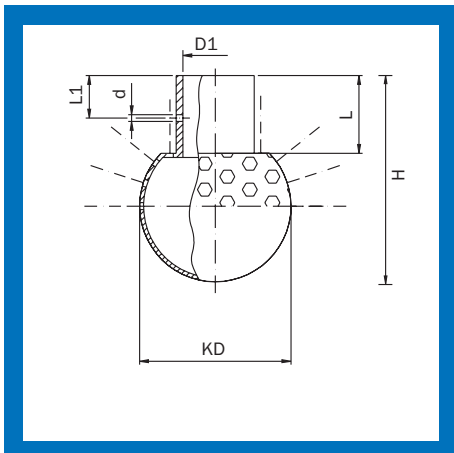
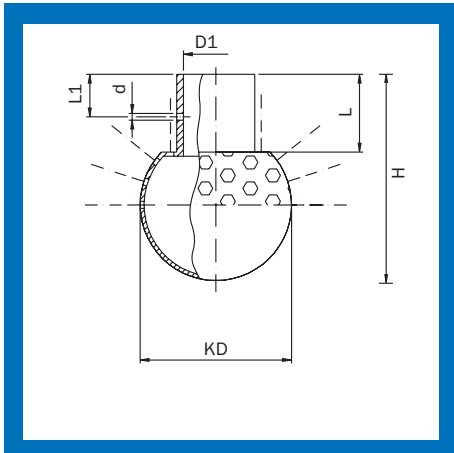
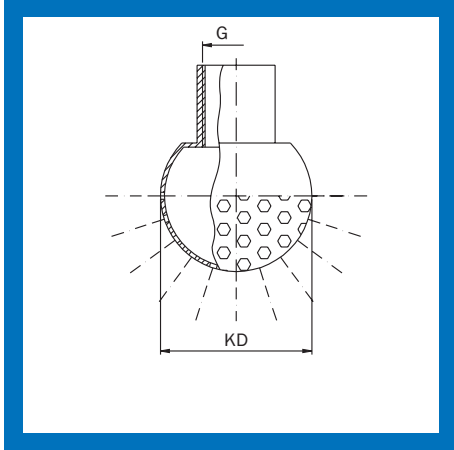
DN	D1	KD	d (Clip)	H	L	L1	m ³ /h at 1 bar	m ³ /h at 2.5 bar	Spray circle Ø m	Weight [kg]
10	12.2	24	2.2	37.5	17	9	1.5		0.5 - 1	0.019
15	18.2	30	2.2	42	18	9	3.6		1 - 1.5	0.024
20	22.2	40	2.5	53	21	9	5.3	8.6	2 - 2.5	0.048
25	28.2	64	2.8	90	35	18	9.8	13.5	2.5 - 3	0.137
25/1	28.2	64	2.8	90	35	18	14.2	23	3 - 4	0.137
32	34.2	64	2.8	90	35	18	9.8	15.6	2.5 - 3.5	0.148
32/1	34.2	64	2.8	90	35	18	16	26.7	3 - 4	0.148
40	40.3	64	2.8	90	35	18	9.6	14.8	2.5 - 3.5	0.179
40/1	40.3	64	2.8	90	35	18	14.9	24.8	3 - 4	0.159
50	52.3	90	3.3	121.5	47.5	25	19.5	30.6	4 - 4.5	0.340
50/1	52.3	90	3.3	121.5	47.5	25	31	51	6	0.053
50/3	52.3	90	3.3	121.5	47.5	25	36.1	60	10	0.325

Spray Head, 180° upwards Perforation, Clipon, Series C Pipe (ASME)

DN	DIN 11866 (series C)	D1	KD	d (Clip)	H	L	L1	m ³ /h at 1 bar	m ³ /h at 2.5 bar	Spray circle Ø m	Weight [kg]
8		13	30	2.2	42	18	9	2.1		1 - 1.5	0.030
15		19.4	40	2.5	53	21	9	5.6	8.8	2 - 2.5	0.049
20		26	64	2.8	90	35	18	8.7	12.8	2.5 - 3	0.137
32		38.4	64	2.8	90	35	18	9.6	14.8	2.5 - 3.5	0.161

Spray Head, 180° upwards Perforation, Thread

DN	G	KD	m ³ /h at 1 bar	m ³ /h at 2.5 bar	Spray circle Ø m	Weight [kg]
10	G 1/8" I	24	1.5		0.5 - 1	0.021
15	G 1/4" I	30	2.1		1 - 1.5	0.032
15	G 3/8" I	30	2.1		1 - 1.5	0.032
20	G 1/2" I	40	5.6	8.8	2 - 2.5	0.048
25	G 1" I	64	9.3	13.6	2.5 - 3	0.173
25/1	G 1" I	64	14.2	23	3 - 4	0.184
32	G 1" I	64	9.8	15.6	2.5 - 3.5	0.169
50	G 2" I	90	19.5	30.6	4 - 4.5	0.380
50/1	G 2" I	90	31	51	6	0.380
50/3	G 2" I	90	36.1	60	10	0.380



Static Spray Heads

Spray Head, 180° downwards Perforation, Thread

1.4571 (316Ti)			1.4435 (316L)		2.4602 (HC22)		
DN	Price/EUR	Article no.	Price/EUR	Article no.	Price/EUR	Article no.	
10			81,64	69X1-3-7433			
15	74,24	69Y1-3-7535	89,14	69Y1-3-7533			
15	74,24	69Y1-3-7635	89,14	69Y1-3-7633	390,49	69Y1-3-7638	
20	73,47	69A2-3-7735	88,10	69A2-3-7733	420,06	69A2-3-7738	
25	75,98	69B3-3-7935	91,23	69B3-3-7933	610,45	69B3-3-7938	
25/1	96,80	69B5-3-7935	116,09	69B5-3-7933			
32	97,78	69F4-3-7935	117,35	69F4-3-7933	672,33	69F4-3-7938	
50	154,54	69D4-3-8235					
50/1	198,34	69D5-3-8235					

Spray Head, 180° upwards Perforation, Clipon

1.4571 (316Ti)			1.4435 (316L)		2.4602 (HC22)		
DN	Price/EUR	Article no.	Price/EUR	Article no.	Price/EUR	Article no.	
10	69,64	69X1-2-0125	83,57	69X1-2-0123	289,53	69X1-2-0128	
15	74,52	69Y1-2-0325	89,14	69Y1-2-0323	296,49	69Y1-2-0328	
20	73,47	69A2-2-0425	88,10	69A2-2-0423	341,06	69A2-2-0428	
25	75,98	69B3-2-0525	91,23	69B3-2-0523	411,45	69B3-2-0528	
25/1	97,29	69B5-2-0525	116,72	69B5-2-0523			
32	97,78	69F4-2-0625	117,35	69F4-2-0623	459,46	69F4-2-0628	
32/1	121,94	69F5-2-0625	146,32	69F5-2-0623			
40	102,03	69C4-2-0725	122,50	69C4-2-0723	495,76	69C4-2-0728	
40/1	126,75	69C5-2-0725	152,10	69C5-2-0723			
50	154,54	69D4-2-0825					
50/1	198,34	69D5-2-0825					
50/3	259,42	69D6-2-0825					

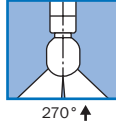
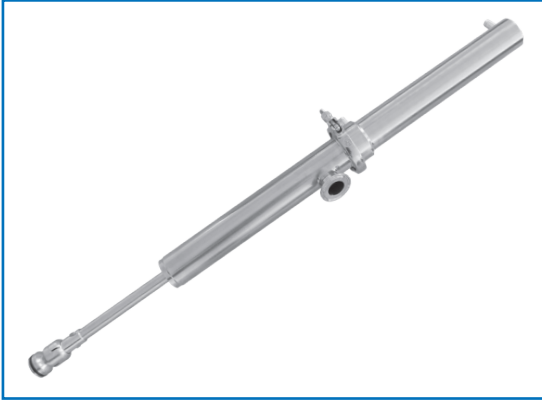
Spray Head, 180° upwards Perforation, Clipon, Series C Pipe (ASME)

1.4571 (316Ti)			1.4435 (316L)		
DN	Price/EUR	Article no.	Price/EUR	Article no.	
8	82,27	69Y1-2-8925	98,77	69Y1-2-8923	
15	81,40	69A2-2-9025	97,60	69A2-2-9023	
20	84,24	69B3-2-9125	101,11	69B3-2-9123	
32	108,33	69C4-2-9225	130,01	69C4-2-9223	

Spray Head, 180° upwards Perforation, Thread

1.4571 (316Ti)			1.4435 (316L)		2.4602 (HC22)		
DN	Price/EUR	Article no.	Price/EUR	Article no.	Price/EUR	Article no.	
10			81,64	69X1-2-7433			
15	74,52	69Y1-2-7535	89,14	69Y1-2-7533			
15	74,52	69Y1-2-7635	89,14	69Y1-2-7633	390,45	69Y1-2-7638	
20	73,47	69A2-2-7735	88,10	69A2-2-7733	420,06	69A2-2-7738	
25	75,98	69B3-2-7935	91,23	69B3-2-7933	610,45	69B3-2-7938	
25/1	97,29	69B5-2-7935	116,72	69B5-2-7933			
32	97,78	69F4-2-7935	117,35	69F4-2-7933	672,33	69F4-2-7938	
50	154,54	69D4-2-8235					
50/1	198,34	69D5-2-8235					
50/3	259,42	69D6-2-8235					

TANKO® RT and TANKO® RTS



The main potential applications of retractors are particularly where little space is available for a cleaning device due to projecting agitators or other internal fittings, or where critical products prevent permanent installation of a cleaning device. The TANKO® RT and TANKO® RTS have been conceived for use in highly sterile processes. The basic principle of the retractor is the distinction between the rest position (closed construction, the spray head is located in the housing and therefore outside the vessel) and cleaning mode (the spray head is extended into the vessel for cleaning).

Extension into the cleaning position and retraction of the cleaning head into the retractor housing are both performed pneumatically and are thus fully controllable. The end posi-

tions of the extension and retraction movements can be queried via sensors. The retractor is available in stroke lengths of 100, 150, 250 and 500. The rotating spray head of the TANKO® RT runs on ball bearings lubricated by the cleaning medium. The rotating spray head of the retractor with differentiated slots and variable flow rates resulting from this can be used for different cleaning performance requirements. The TANKO® RTS is a retractor equipped with a static spray head. A special ATEX version of the retractor is available for ATEX applications.

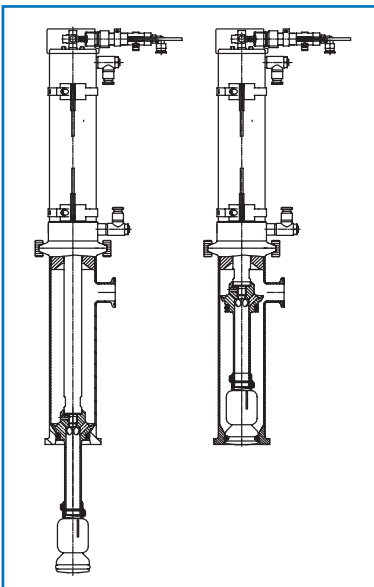
All consumption specifications are for orientation only.
The dimensions listed are in mm and are nominal dimensions.

Technical Parameters

Spray angle:	270° upwards
Materials:	1.4435, 1.4401 (316), 1.4430, PTFE modified, EPDM, optional: FKM Other: 1.4301 (304), PU, Al
Connections:	Medium connection: Clamp acc. DIN 32676 (series A) DN25, optional: MA adapter DN25 / 1" + seal + heavy duty clamp DIN 32676 for DN25 Process connection: Suitable for clamps as per DIN 32676 series A, B and C; welded connections; combination adapter C3
Operating pressure:	Cleaning medium: 1 - 8 bar / 14.5 - 116 psi (Does not apply to ATEX versions!) * Pneumatic system: min. 5 bar / 72.5 psi , max. 8 bar / 116 psi
Working temperature:	Cleaning medium: max. 140°C / 284°F (Does not apply to ATEX versions!)
Ambient temperature:	Inside the vessel: EPDM max. 140°C / 284°F, FKM max. 180°C / 365°F (does not apply to ATEX versions!) Outside the vessel: max. 60°C / 140°F (does not apply to ATEX versions!)
Pressure in the container:	During cleaning: 0 to a maximum of 0.5 bar During the process, no cleaning and retractor closed: 0 to a maximum of 3 bar
Sterilization temperature:	max. 140°C / 284°F (Does not apply to ATEX versions!)
Volume flow rate:	2 - 6.5 m³/h / 33.3 - 108.3 l/min / 8.8 - 28.6 gpm US) *
Range:	Cleaning radius: max. 1.6 m / 5.3 ft; wetting radius: max. 2.5 m / 8.2 ft
Installation position:	vertically suspended, other positions on request

*Depending on model and cleaning medium

Information as per ATEX (excerpt)



The cleaning devices satisfy the explosion protection requirements of Directive 2014/34/EU.

Current information on the type approval of the cleaning devices:

TANKO® RT100 ATEX, TANKO® RT150 ATEX, TANKO® RT250 ATEX, TANKO® RT500 ATEX,
TANKO® RTS100 ATEX, TANKO® RTS150 ATEX, TANKO® RTS200 ATEX, TANKO® RTS250 ATEX

(G = Gas, D = Dust, X at the end of the identification number = Special conditions, see operating instructions)

II 1/2G Ex IIB/IIC T6/T6... T3 Ga/Gb
II 1G/2D Ex IIB/IIC T6/T95 °C... T140 °C Ga/Db
II 1/2D Ex IIIC/IIIC T60 °C... T70 °C/T95 °C... T140 °C Da/Db
II 1D/2G Ex IIIC/IIC T60 °C... T70 °C/T6... T3 Da/Gb
BVS 10 ATEX H 006 X

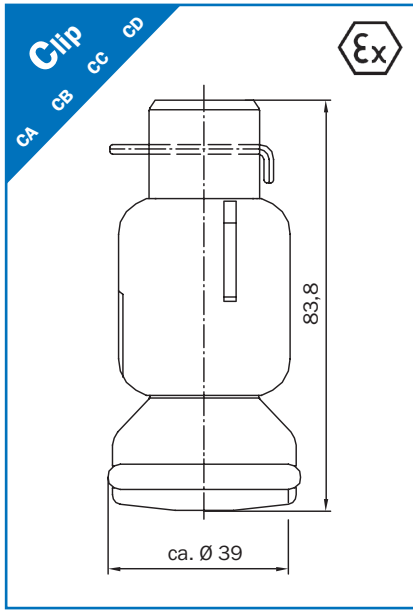
The technical data of the ATEX units can differ from the standard units and this data is provided in the respective operating and installation instructions.

Ordering note:

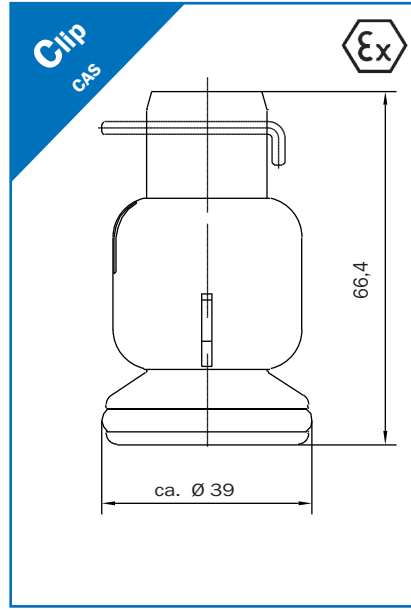
1. Surcharge on Standard Products from the TANKO® RT Series 1,320.00 EUR
2. When placing your order, please locate the corresponding standard article number in the order tables and replace the last (0) with an X. E.g.: 66R3 110 1925 3110X
3. For the RTS anti-rotation version, please replace the nine (9) at the 9th position of the article number with an eight (8).

TANKO[®] RT and TANKO[®] RTS

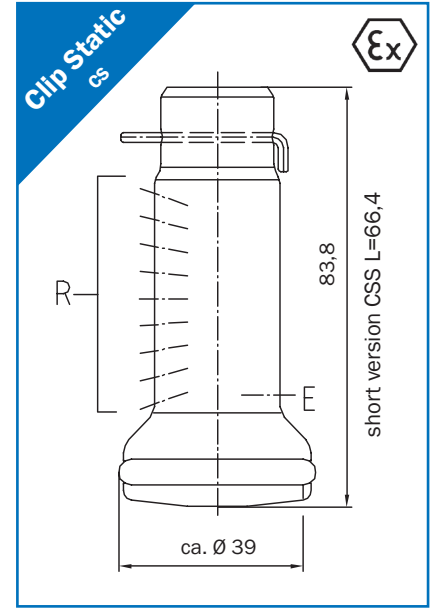
Spray Head Variants



Spray head for TANKO[®] RT and TANKO[®] RT ATEX



Spray head for TANKO[®] RT and TANKO[®] RT ATEX short



Spray head for TANKO[®] RTS and TANKO[®] RTS ATEX

R = Cleaning holes as per customer specifications
E = Drain perforation

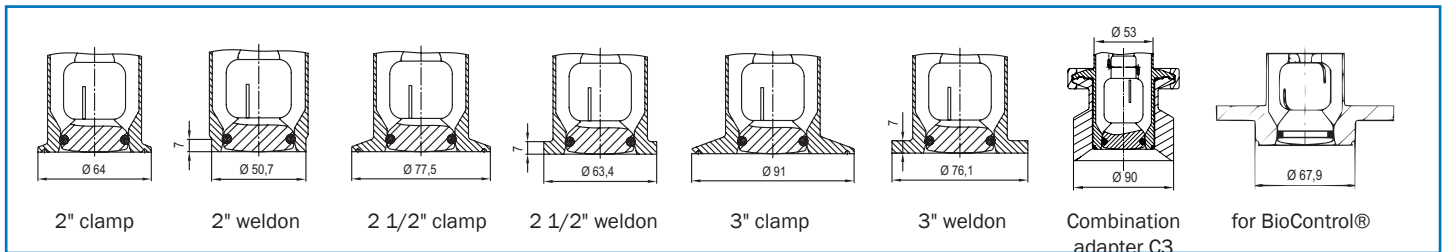
Note: TANKO[®] RTS locked against Rotation with a Static Spray Head CS

At an additional cost of EUR 825.00, the TANKO-RT can be supplied in a non-rotating version, the TANKO-RTS with a static spray head (CS). The static spray head comes as standard with the drain hole only and can be custom-drilled by the customer to create a customized, targeted spray pattern for the specific application. For an additional fee, AWH also offers this service, with the spray pattern and flow rates being coordinated with the customer.

Ordering note:

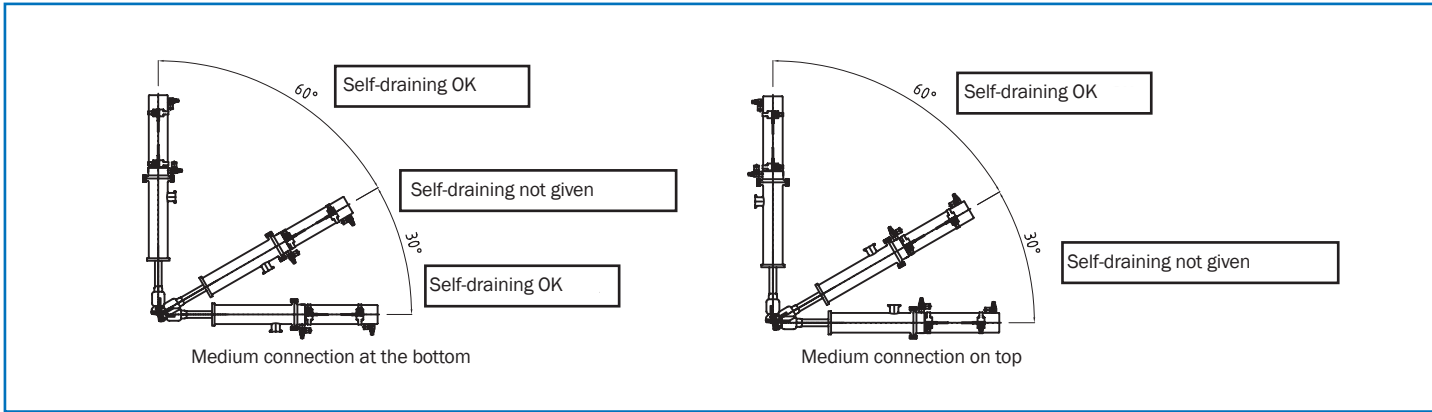
For the RTS anti-rotation version, please replace the 4th digit of the article number with an S and the nine (9) at the 9th position of the article number with an eight (8). Surcharge on products from the TANKO[®] RT series: 825,00 EUR.

Process Connections

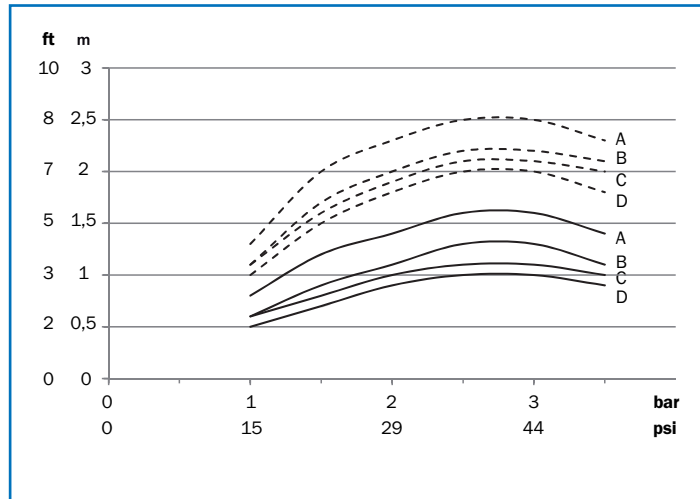
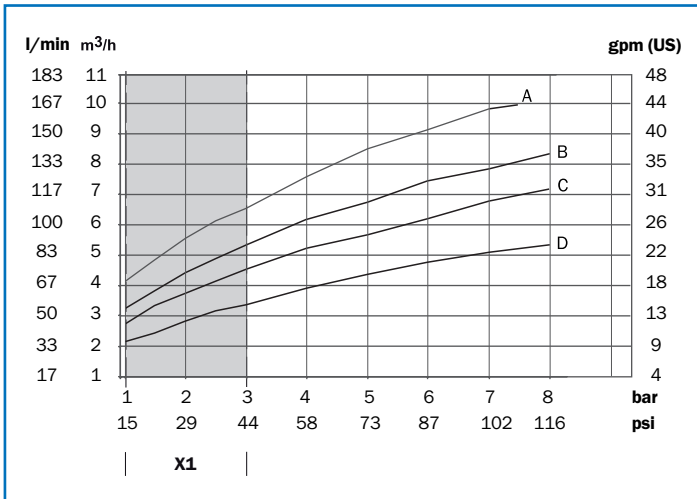


TANKO[®] RT and TANKO[®] RTS

Installation Advice regarding Self-draining



Consumption and Throw Length Data for TANKO[®] RT and TANKO[®] RT ATEX



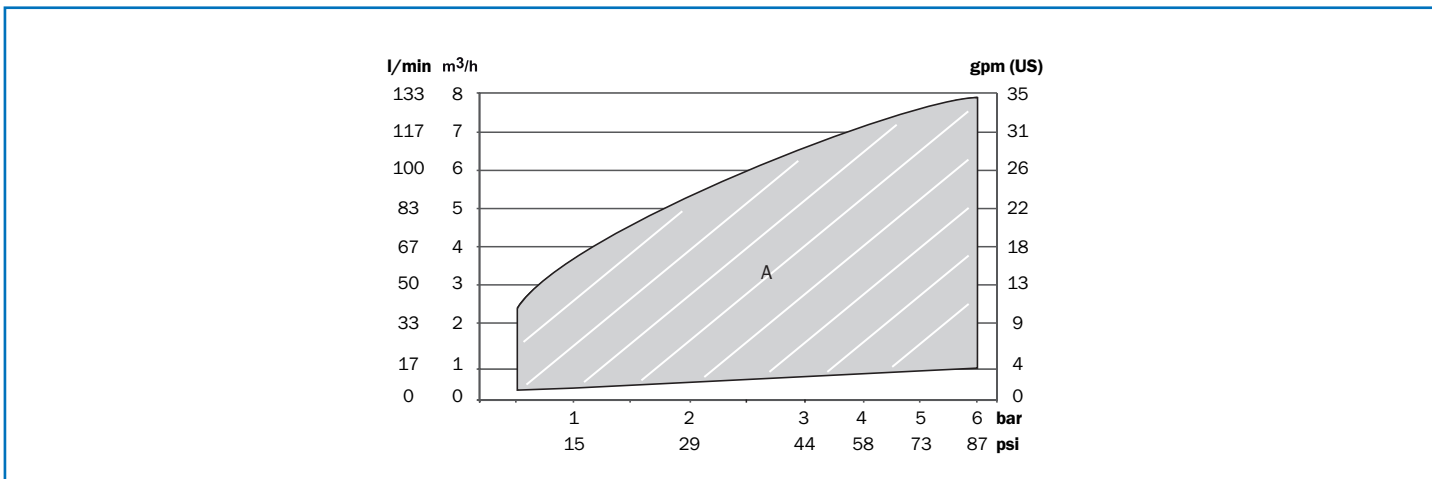
- A - Head type "CD" 270°
- B - Head type "CC" 270°
- C - Head type "CB" 270°
- D - Head type "CA" 270°

- A - Head type "CD" 270°
- B - Head type "CC" 270°
- C - Head type "CB" 270°
- D - Head type "CA" 270°

X1 - recommended operating pressure
optional: TANKO[®] S30 or TANKO[®] RB30

— Wetting radius - Cleaning radius

Consumption Data TANKO[®] RTS and TANKO[®] RTS ATEX



A - Usable flow rate

TANKO® RT and TANKO® RTS

Spare Parts and Services

Replacement Spray Head for TANKO® RTS, not drilled

Price is not valid! Refer to spare parts catalog

Article no.	Sealing material	Net price/EUR
6676 X0X 0602 0231	EPDM	*
6676 X0X 0602 0232	FKM	*
Spray drilling according to customer requirements / according to offer		*

Spare Parts and Wearing Parts Packages

Price is not valid! Refer to spare parts catalog

Article no.	Material	Description	Net price/EUR
66R 010 01VA 00000	FKM *	TANKO® RT wearing parts package FKM	243,00
66R 010 01VA 0000X	FKM *	TANKO® RT wearing parts package FKM ATEX (without piston ring)	385,00
66R 010 02VA 0000X	FKM *	TANKO® RT wearing parts package FKM KR EX (with piston ring)	385,00
66R 030 01VA 00000	EPDM	TANKO® RT wearing parts package EPDM	188,00
66R 030 01VA 0000X	EPDM	TANKO® RT wearing parts package EPDM ATEX (without piston ring)	330,00
66R 030 02VA 0000X	EPDM	TANKO® RT wearing parts package EPDM KR EX (with piston ring)	330,00
66R 010 000 05P2	Polyurethane	TANKO® RT damping ring kit PU	12,40

*) Applies only to O-rings contacting the product

Blind plugs and associated O-rings for Combination Vessel Connectors

Price is not valid! Refer to spare parts catalog

Article no.	Material	Description	Price/EUR
66R 000 000 4Z30	1.4435	Blind plug	*
66R 000 000 4Z80	2.4602	Blind plug	*
106 050 000 4501	EPDM	O-ring 45 x 3	*
106 050 000 4503	FKM	O-ring 45 x 3	*
106 050 000 4506	FFKM	O-ring 45 x 3	*

Screw connection for media connection/ clamp connection in accordance with DIN 32676

Price is not valid!
Refer to spare parts catalog

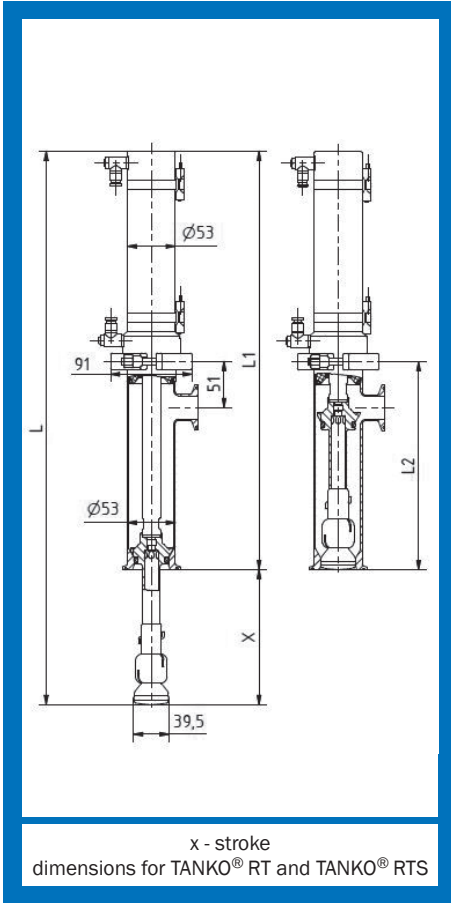
Article no.	Material	Description	DN	Price/EUR
66R 000 000 0D30	1.4435	MA adapter	Clamp A 25 Series C 1"	*
111 100 072	1.4301 (304)	Heavy duty clamp	25 - 40 / 1" - 1.5"	*
105 140 000 2555	EPDM	Clamp seal	25	*
105 160 000 2555	FKM	Clamp seal	25	*
105 160 000 2554	PTFE	Clamp seal	25	*
105 150 000 2554	NBR	Clamp seal	25	*
105 150 000 2555	Silicon	Clamp seal	25	*
105 170 031 0001	EPDM	Clamp seal	1"	*
105 170 031 0002	FKM	Clamp seal	1"	*
105 170 031 0004	PTFE	Clamp seal	1"	*
105 170 031 0003	NBR	Clamp seal	1"	*
105 170 031 0000	Silicon	Clamp seal	1"	*

Measuring Report

Number of measuring points	Description	Net price/EUR
6	Roughness: Basic body	65,00
4	Roughness: Spray head TANKO® RPB-E	45,00
5	Δ-ferrite content TANKO® RT hydro pipe	75,00
2	Δ-ferrite content TANKO® RT spray head	30,00

Material Certificates

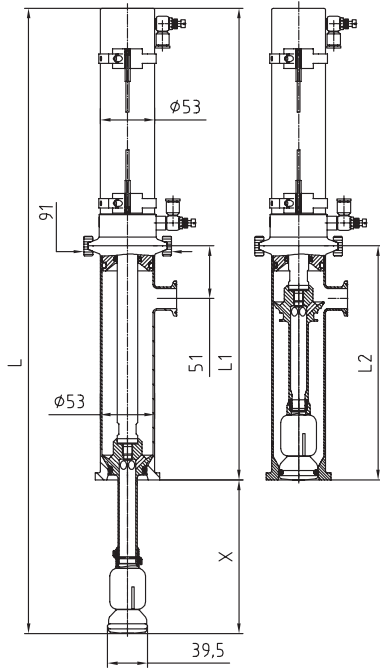
Description	Net price/EUR
WAZ 3.1 - EN10204 - TANKO® RT /- RTS	95,00



TANKO® RT Clamp Process Connection acc. to DIN 32676 (series C), 270° upwards

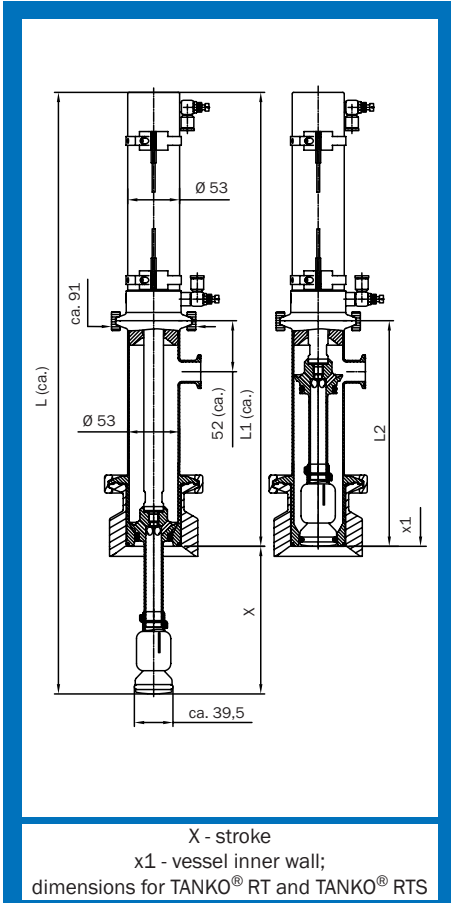
Stroke (x)	L	L1	L2	Spray head type	Sealing material	Pneumatic connection
65	358	294	146	CAS	EPDM	Ø 6
65	358	294	146	CAS	FKM	Ø 6
65	358	294	146	CAS	FFKM	Ø 6
100	463	363	180	CA	EPDM	Ø 6
100	463	363	180	CA	FKM	Ø 6
100	463	363	180	CA	FFKM	Ø 6
100	463	363	180	CB	EPDM	Ø 6
100	463	363	180	CB	FKM	Ø 6
100	463	363	180	CB	FFKM	Ø 6
100	463	363	180	CC	EPDM	Ø 6
100	463	363	180	CC	FKM	Ø 6
100	463	363	180	CC	FFKM	Ø 6
100	463	363	180	CD	EPDM	Ø 6
100	463	363	180	CD	FKM	Ø 6
100	463	363	180	CD	FFKM	Ø 6
150	613	463	230	CA	EPDM	Ø 6
150	613	463	230	CA	FKM	Ø 6
150	613	463	230	CA	FFKM	Ø 6
150	613	463	230	CB	EPDM	Ø 6
150	613	463	230	CB	FKM	Ø 6
150	613	463	230	CB	FFKM	Ø 6
150	613	463	230	CC	EPDM	Ø 6
150	613	463	230	CC	FKM	Ø 6
150	613	463	230	CC	FFKM	Ø 6
150	613	463	230	CD	EPDM	Ø 6
150	613	463	230	CD	FKM	Ø 6
150	613	463	230	CD	FFKM	Ø 6
250	913	663	330	CA	EPDM	Ø 6
250	913	663	330	CA	FKM	Ø 6
250	913	663	330	CA	FFKM	Ø 6
250	913	663	330	CB	EPDM	Ø 6
250	913	663	330	CB	FKM	Ø 6
250	913	663	330	CB	FFKM	Ø 6
250	913	663	330	CC	EPDM	Ø 6
250	913	663	330	CC	FKM	Ø 6
250	913	663	330	CC	FFKM	Ø 6
250	913	663	330	CD	EPDM	Ø 6
250	913	663	330	CD	FKM	Ø 6
250	913	663	330	CD	FFKM	Ø 6
500	1663	1163	580	CA	EPDM	Ø 6
500	1663	1163	580	CA	FKM	Ø 6
500	1663	1163	580	CA	FFKM	Ø 6
500	1663	1163	580	CB	EPDM	Ø 6
500	1663	1163	580	CB	FKM	Ø 6
500	1663	1163	580	CB	FFKM	Ø 6
500	1663	1163	580	CC	EPDM	Ø 6
500	1663	1163	580	CC	FKM	Ø 6
500	1663	1163	580	CC	FFKM	Ø 6
500	1663	1163	580	CD	EPDM	Ø 6
500	1663	1163	580	CD	FKM	Ø 6
500	1663	1163	580	CD	FFKM	Ø 6

TANKO® RT Weldon Process Connection, 270° upwards



x - stroke
dimensions for TANKO® RT and TANKO® RTS

Stroke (x)	L	L1	L2	Spray head type	Sealing material	Pneumatic connection
65	358	294	146	CAS	EPDM	Ø 6
65	358	294	146	CAS	FKM	Ø 6
65	358	294	146	CAS	FFKM	Ø 6
100	463	363	180	CA	EPDM	Ø 6
100	463	363	180	CA	FKM	Ø 6
100	463	363	180	CA	FFKM	Ø 6
100	463	363	180	CB	EPDM	Ø 6
100	463	363	180	CB	FKM	Ø 6
100	463	363	180	CB	FFKM	Ø 6
100	463	363	180	CC	EPDM	Ø 6
100	463	363	180	CC	FKM	Ø 6
100	463	363	180	CC	FFKM	Ø 6
100	463	363	180	CD	EPDM	Ø 6
100	463	363	180	CD	FKM	Ø 6
100	463	363	180	CD	FFKM	Ø 6
150	613	463	230	CA	EPDM	Ø 6
150	613	463	230	CA	FKM	Ø 6
150	613	463	230	CA	FFKM	Ø 6
150	613	463	230	CB	EPDM	Ø 6
150	613	463	230	CB	FKM	Ø 6
150	613	463	230	CB	FFKM	Ø 6
150	613	463	230	CC	EPDM	Ø 6
150	613	463	230	CC	FKM	Ø 6
150	613	463	230	CC	FFKM	Ø 6
150	613	463	230	CD	EPDM	Ø 6
150	613	463	230	CD	FKM	Ø 6
150	613	463	230	CD	FFKM	Ø 6
250	913	663	330	CA	EPDM	Ø 6
250	913	663	330	CA	FKM	Ø 6
250	913	663	330	CA	FFKM	Ø 6
250	913	663	330	CB	EPDM	Ø 6
250	913	663	330	CB	FKM	Ø 6
250	913	663	330	CB	FFKM	Ø 6
250	913	663	330	CC	EPDM	Ø 6
250	913	663	330	CC	FKM	Ø 6
250	913	663	330	CC	FFKM	Ø 6
250	913	663	330	CD	EPDM	Ø 6
250	913	663	330	CD	FKM	Ø 6
250	913	663	330	CD	FFKM	Ø 6
500	1663	1163	580	CA	EPDM	Ø 6
500	1663	1163	580	CA	FKM	Ø 6
500	1663	1163	580	CA	FFKM	Ø 6
500	1663	1163	580	CB	EPDM	Ø 6
500	1663	1163	580	CB	FKM	Ø 6
500	1663	1163	580	CB	FFKM	Ø 6
500	1663	1163	580	CC	EPDM	Ø 6
500	1663	1163	580	CC	FKM	Ø 6
500	1663	1163	580	CC	FFKM	Ø 6
500	1663	1163	580	CD	EPDM	Ø 6
500	1663	1163	580	CD	FKM	Ø 6
500	1663	1163	580	CD	FFKM	Ø 6



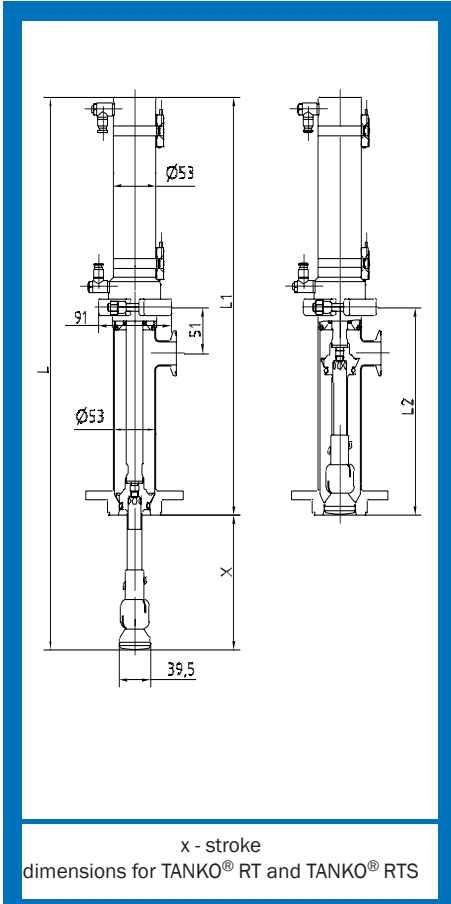
TANKO® RT C3 Combination Adapter Process Connection, 270° upwards

Stroke (x)	L	L1	L2	Spray head type	Sealing material	Pneumatic connection
65	358	294	146	CAS	EPDM	Ø 6
65	358	294	146	CAS	FKM	Ø 6
65	358	294	146	CAS	FFKM	Ø 6
100	463	363	180	CA	EPDM	Ø 6
100	463	363	180	CA	FKM	Ø 6
100	463	363	180	CA	FFKM	Ø 6
100	463	363	180	CB	EPDM	Ø 6
100	463	363	180	CB	FKM	Ø 6
100	463	363	180	CB	FFKM	Ø 6
100	463	363	180	CC	EPDM	Ø 6
100	463	363	180	CC	FKM	Ø 6
100	463	363	180	CC	FFKM	Ø 6
100	463	363	180	CD	EPDM	Ø 6
100	463	363	180	CD	FKM	Ø 6
100	463	363	180	CD	FFKM	Ø 6
150	613	463	230	CA	EPDM	Ø 6
150	613	463	230	CA	FKM	Ø 6
150	613	463	230	CA	FFKM	Ø 6
150	613	463	230	CB	EPDM	Ø 6
150	613	463	230	CB	FKM	Ø 6
150	613	463	230	CB	FFKM	Ø 6
150	613	463	230	CC	EPDM	Ø 6
150	613	463	230	CC	FKM	Ø 6
150	613	463	230	CC	FFKM	Ø 6
150	613	463	230	CD	EPDM	Ø 6
150	613	463	230	CD	FKM	Ø 6
150	613	463	230	CD	FFKM	Ø 6
250	913	663	330	CA	EPDM	Ø 6
250	913	663	330	CA	FKM	Ø 6
250	913	663	330	CA	FFKM	Ø 6
250	913	663	330	CB	EPDM	Ø 6
250	913	663	330	CB	FKM	Ø 6
250	913	663	330	CB	FFKM	Ø 6
250	913	663	330	CC	EPDM	Ø 6
250	913	663	330	CC	FKM	Ø 6
250	913	663	330	CC	FFKM	Ø 6
250	913	663	330	CD	EPDM	Ø 6
250	913	663	330	CD	FKM	Ø 6
250	913	663	330	CD	FFKM	Ø 6
500	1663	1163	580	CA	EPDM	Ø 6
500	1663	1163	580	CA	FKM	Ø 6
500	1663	1163	580	CA	FFKM	Ø 6
500	1663	1163	580	CB	EPDM	Ø 6
500	1663	1163	580	CB	FKM	Ø 6
500	1663	1163	580	CB	FFKM	Ø 6
500	1663	1163	580	CC	EPDM	Ø 6
500	1663	1163	580	CC	FKM	Ø 6
500	1663	1163	580	CC	FFKM	Ø 6
500	1663	1163	580	CD	EPDM	Ø 6
500	1663	1163	580	CD	FKM	Ø 6
500	1663	1163	580	CD	FFKM	Ø 6

TANKO® RT C3 Combination Adapter Process Connection, 270° upwards

3"				
Stroke (x)	Price/EUR	Article no.	Weight [kg] without Combination Vessel Connector	Weight [kg] Combination Vessel Connector Standard + Clamp
65	2.830,00	66R7 106 2947 3110	3.2	0.83
65	2.885,00	66R7 306 2947 3110	3.2	0.83
65	4.263,00	66R7 406 2947 3110	3.2	0.83
100	2.830,00	66R3 110 1947 3110	3.5	1.9
100	2.885,00	66R3 310 1947 3110	3.5	1.9
100	4.263,00	66R3 410 1947 3110	3.5	1.9
100	2.830,00	66R4 110 1947 3110	3.5	1.9
100	2.885,00	66R4 310 1947 3110	3.5	1.9
100	4.263,00	66R4 410 1947 3110	3.5	1.9
100	2.830,00	66R5 110 1947 3110	3.5	1.9
100	2.885,00	66R5 310 1947 3110	3.5	1.9
100	4.263,00	66R5 410 1947 3110	3.5	1.9
100	2.830,00	66R6 110 1947 3110	3.5	1.9
100	2.885,00	66R6 310 1947 3110	3.5	1.9
100	4.263,00	66R6 410 1947 3110	3.5	1.9
150	3.010,00	66R3 115 1947 3110	3.8	1.9
150	3.065,00	66R3 315 1947 3110	3.8	1.9
150	4.443,00	66R3 415 1947 3110	3.8	1.9
150	3.010,00	66R4 115 1947 3110	3.8	1.9
150	3.065,00	66R4 315 1947 3110	3.8	1.9
150	4.443,00	66R4 415 1947 3110	3.8	1.9
150	3.010,00	66R5 115 1947 3110	3.8	1.9
150	3.065,00	66R5 315 1947 3110	3.8	1.9
150	4.443,00	66R5 415 1947 3110	3.8	1.9
150	3.010,00	66R6 115 1947 3110	3.8	1.9
150	3.065,00	66R6 315 1947 3110	3.8	1.9
150	4.443,00	66R6 415 1947 3110	3.8	1.9
250	3.060,00	66R3 125 1947 3110	4.5	1.9
250	3.115,00	66R3 325 1947 3110	4.5	1.9
250	4.493,00	66R3 425 1947 3110	4.5	1.9
250	3.060,00	66R4 125 1947 3110	4.5	1.9
250	3.115,00	66R4 325 1947 3110	4.5	1.9
250	4.493,00	66R4 425 1947 3110	4.5	1.9
250	3.060,00	66R5 125 1947 3110	4.5	1.9
250	3.115,00	66R5 325 1947 3110	4.5	1.9
250	4.493,00	66R5 425 1947 3110	4.5	1.9
250	3.060,00	66R6 125 1947 3110	4.5	1.9
250	3.115,00	66R6 325 1947 3110	4.5	1.9
250	4.493,00	66R6 425 1947 3110	4.5	1.9
500	3.520,00	66R3 150 1947 3110	6.3	1.9
500	3.575,00	66R3 350 1947 3110	6.3	1.9
500	4.953,00	66R3 450 1947 3110	6.3	1.9
500	3.520,00	66R4 150 1947 3110	6.3	1.9
500	3.575,00	66R4 350 1947 3110	6.3	1.9
500	4.953,00	66R4 450 1947 3110	6.3	1.9
500	3.520,00	66R5 150 1947 3110	6.3	1.9
500	3.575,00	66R5 350 1947 3110	6.3	1.9
500	4.953,00	66R5 450 1947 3110	6.3	1.9
500	3.520,00	66R6 150 1947 3110	6.3	1.9
500	3.575,00	66R6 350 1947 3110	6.3	1.9
500	4.953,00	66R6 450 1947 3110	6.3	1.9

TANKO® RT



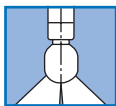
TANKO® RT Process Connection for Bio®Control, 270° upwards

Stroke (x)	L	L1	L2	Spray head type	Sealing material	Pneumatic connection
65	358	294	146	CAS	EPDM	Ø 6
65	358	294	146	CAS	FKM	Ø 6
65	358	294	146	CAS	FFKM	Ø 6
100	463	363	180	CA	EPDM	Ø 6
100	463	363	180	CA	FKM	Ø 6
100	463	363	180	CA	FFKM	Ø 6
100	463	363	180	CB	EPDM	Ø 6
100	463	363	180	CB	FKM	Ø 6
100	463	363	180	CB	FFKM	Ø 6
100	463	363	180	CC	EPDM	Ø 6
100	463	363	180	CC	FKM	Ø 6
100	463	363	180	CC	FFKM	Ø 6
100	463	363	180	CD	EPDM	Ø 6
100	463	363	180	CD	FKM	Ø 6
100	463	363	180	CD	FFKM	Ø 6
150	613	463	230	CA	EPDM	Ø 6
150	613	463	230	CA	FKM	Ø 6
150	613	463	230	CA	FFKM	Ø 6
150	613	463	230	CB	EPDM	Ø 6
150	613	463	230	CB	FKM	Ø 6
150	613	463	230	CB	FFKM	Ø 6
150	613	463	230	CC	EPDM	Ø 6
150	613	463	230	CC	FKM	Ø 6
150	613	463	230	CC	FFKM	Ø 6
150	613	463	230	CD	EPDM	Ø 6
150	613	463	230	CD	FKM	Ø 6
150	613	463	230	CD	FFKM	Ø 6
250	913	663	330	CA	EPDM	Ø 6
250	913	663	330	CA	FKM	Ø 6
250	913	663	330	CA	FFKM	Ø 6
250	913	663	330	CB	EPDM	Ø 6
250	913	663	330	CB	FKM	Ø 6
250	913	663	330	CB	FFKM	Ø 6
250	913	663	330	CC	EPDM	Ø 6
250	913	663	330	CC	FKM	Ø 6
250	913	663	330	CC	FFKM	Ø 6
250	913	663	330	CD	EPDM	Ø 6
250	913	663	330	CD	FKM	Ø 6
250	913	663	330	CD	FFKM	Ø 6
500	1663	1163	580	CA	EPDM	Ø 6
500	1663	1163	580	CA	FKM	Ø 6
500	1663	1163	580	CA	FFKM	Ø 6
500	1663	1163	580	CB	EPDM	Ø 6
500	1663	1163	580	CB	FKM	Ø 6
500	1663	1163	580	CB	FFKM	Ø 6
500	1663	1163	580	CC	EPDM	Ø 6
500	1663	1163	580	CC	FKM	Ø 6
500	1663	1163	580	CC	FFKM	Ø 6
500	1663	1163	580	CD	EPDM	Ø 6
500	1663	1163	580	CD	FKM	Ø 6
500	1663	1163	580	CD	FFKM	Ø 6

TANKO® RT Process Connection for Bio®Control, 270° upwards

3"			
Stroke (x)	Price/EUR	Article no.	Weight [kg]
65	2.930,00	66R7 106 2956 3110	3.8
65	2.985,00	66R7 306 2956 3110	3.8
65	4.363,00	66R7 306 2956 3110	3.8
100	2.930,00	66R3 110 1956 3110	4.0
100	2.985,00	66R3 310 1956 3110	4.0
100	4.363,00	66R3 410 1956 3110	4.0
100	2.930,00	66R4 110 1956 3110	4.0
100	2.985,00	66R4 310 1956 3110	4.0
100	4.363,00	66R4 410 1956 3110	4.0
100	2.930,00	66R5 110 1956 3110	4.0
100	2.985,00	66R5 310 1956 3110	4.0
100	4.363,00	66R5 410 1956 3110	4.0
100	2.930,00	66R6 110 1956 3110	4.0
100	2.985,00	66R6 310 1956 3110	4.0
100	4.363,00	66R6 410 1956 3110	4.0
150	3.110,00	66R3 115 1956 3110	4.3
150	3.165,00	66R3 315 1956 3110	4.3
150	4.543,00	66R3 415 1956 3110	4.3
150	3.110,00	66R4 115 1956 3110	4.3
150	3.165,00	66R4 315 1956 3110	4.3
150	4.543,00	66R4 415 1956 3110	4.3
150	3.110,00	66R5 115 1956 3110	4.3
150	3.165,00	66R5 315 1956 3110	4.3
150	4.543,00	66R5 415 1956 3110	4.3
150	3.110,00	66R6 115 1956 3110	4.3
150	3.165,00	66R6 315 1956 3110	4.3
150	4.543,00	66R6 415 1956 3110	4.3
250	3.160,00	66R3 125 1956 3110	5.0
250	3.215,00	66R3 325 1956 3110	5.0
250	4.593,00	66R3 425 1956 3110	5.0
250	3.160,00	66R4 125 1956 3110	5.0
250	3.215,00	66R4 325 1956 3110	5.0
250	4.593,00	66R4 425 1956 3110	5.0
250	3.160,00	66R5 125 1956 3110	5.0
250	3.215,00	66R5 325 1956 3110	5.0
250	4.593,00	66R5 425 1956 3110	5.0
250	3.160,00	66R6 125 1956 3110	5.0
250	3.215,00	66R6 325 1956 3110	5.0
250	4.593,00	66R6 425 1956 3110	5.0
500	3.593,00	66R3 150 1956 3110	6.8
500	3.675,00	66R3 350 1956 3110	6.8
500	5.053,00	66R3 450 1956 3110	6.8
500	3.593,00	66R4 150 1956 3110	6.8
500	3.675,00	66R4 350 1956 3110	6.8
500	5.053,00	66R4 450 1956 3110	6.8
500	3.593,00	66R5 150 1956 3110	6.8
500	3.675,00	66R5 350 1956 3110	6.8
500	5.053,00	66R5 450 1956 3110	6.8
500	3.593,00	66R6 150 1956 3110	6.8
500	3.675,00	66R6 350 1956 3110	6.8
500	5.053,00	66R6 450 1956 3110	6.8

TANKO® RTP and TANKO® RTPS



The main potential applications of retractors are particularly where little space is available for a cleaning device due to projecting agitators or other internal fittings, or where critical products prevent permanent installation of a cleaning device. The TANKO® RTP and TANKO® RTPS have been conceived for use in highly sterile processes. The basic principle of the retractor is the distinction between the rest position (closed construction, the spray head is located in the housing and therefore outside the vessel) and cleaning mode (the spray head is extended into the vessel for cleaning). The TANKO® RTP and TANKO® RTPS are suitable for vessels that have an internal pressure of up to 6 bar during the process (not cleaning).

Extension into the cleaning position and retraction of the cleaning head into the retractor housing are both performed pneumatically and are thus fully controllable. The end positions of the extension and retraction movements can be queried via sensors. The retractor is available in stroke lengths of 100, 150, 250 and 500.

The rotating spray head of the TANKO® RTP runs on ball bearings lubricated by the cleaning medium. The rotating spray head of the retractor with differentiated slots and variable flow rates resulting from this can be used for different cleaning performance requirements. The TANKO® RTPS is a retractor equipped with a static spray head.

All consumption specifications are for orientation only.
The dimensions listed are in mm and are nominal dimensions.

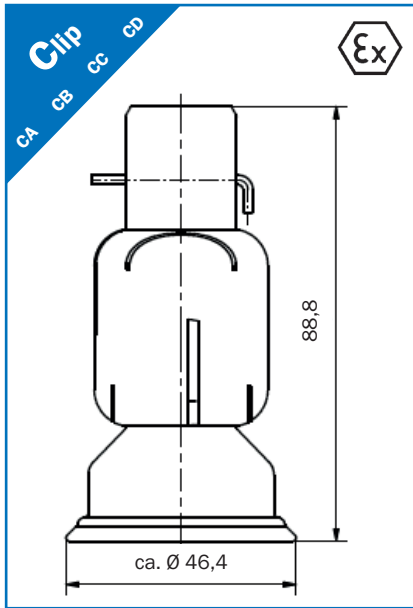
Technical Parameters

Spray angle:	270° upwards
Materials:	1.4435, 1.4401 (316), 1.4430, PTFE modified, EPDM, optional: FKM Other: 1.4301 (304), PU, Al
Connections:	Medium connection: Clamp acc. DIN 32676 (series A) DN25, optional: MA adapter DN25 / 1" + seal + heavy duty clamp DIN 32676 for DN25 Process connection: Suitable for clamps according to DIN 32676 series A, B and C; combination adapter C3;Bio@Control
Operating pressure:	Cleaning medium: 1 - 8 bar / 14.5 - 116 psi* Pneumatic system: min. 5 bar / 72.5 psi , max. 8 bar / 116 psi
Working temperature:	Cleaning medium: max. 140°C / 284°F
Ambient temperature:	Inside the vessel: EPDM max. 140°C / 284°F, FKM max. 180°C / 365°F Outside the vessel: max. 60°C / 140°F (does not apply to ATEX versions!)
Pressure in the container:	During cleaning: 0 to a maximum of 0.5 bar During the process, no cleaning and retractor closed: -1 to a maximum of 6 bar
Sterilization temperature:	140°C / 284°F
Volume flow rate:	2 - 6.5 m³/h / 33.3 - 108.3 l/min / 8.8 - 28.6 gpm US) *
Range:	Cleaning radius: max. 1.6 m / 5.3 ft; wetting radius: max. 2.5 m / 8.2 ft
Installation position:	vertically suspended, other positions on request

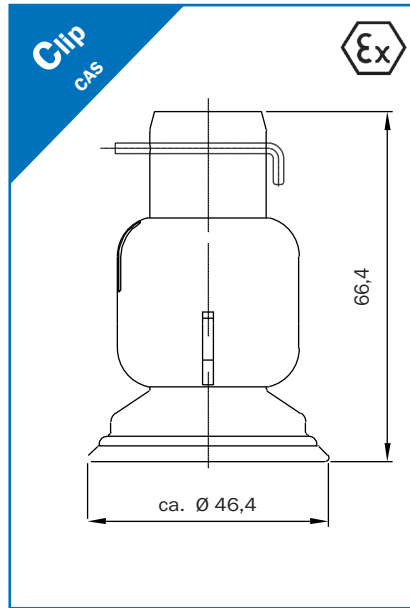
*Depending on model and cleaning medium

TANKO® RTP and TANKO® RTPS

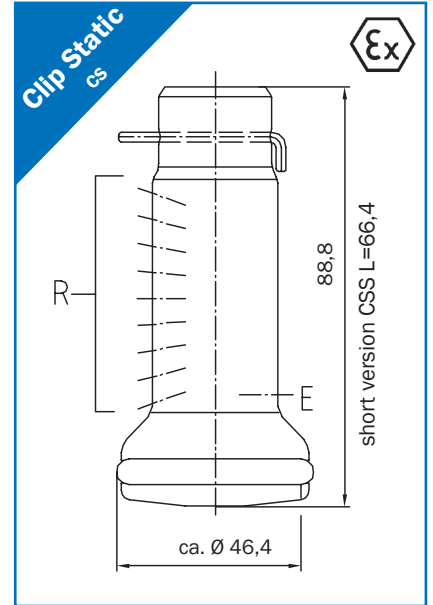
Spray Head Variants



Spray head for TANKO® RTP



Spray head for TANKO® RTP short



Spray head for TANKO® RTPS

R = Cleaning holes as per customer specifications
E = Drain perforation

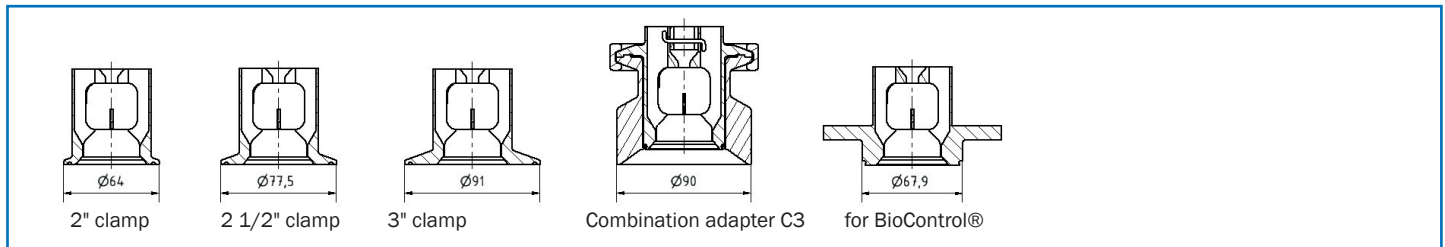
Note: TANKO® RTPS locked against Rotation with a Static Spray Head CS

At an additional cost of EUR 825.00, the TANKO-RT can be supplied in a non-rotating version, the TANKO-RTS with a static spray head (CS). The static spray head comes as standard with the drain hole only and can be custom-drilled by the customer to create a customized, targeted spray pattern for the specific application. For an additional fee, AWH also offers this service, with the spray pattern and flow rates being coordinated with the customer.

Ordering note:

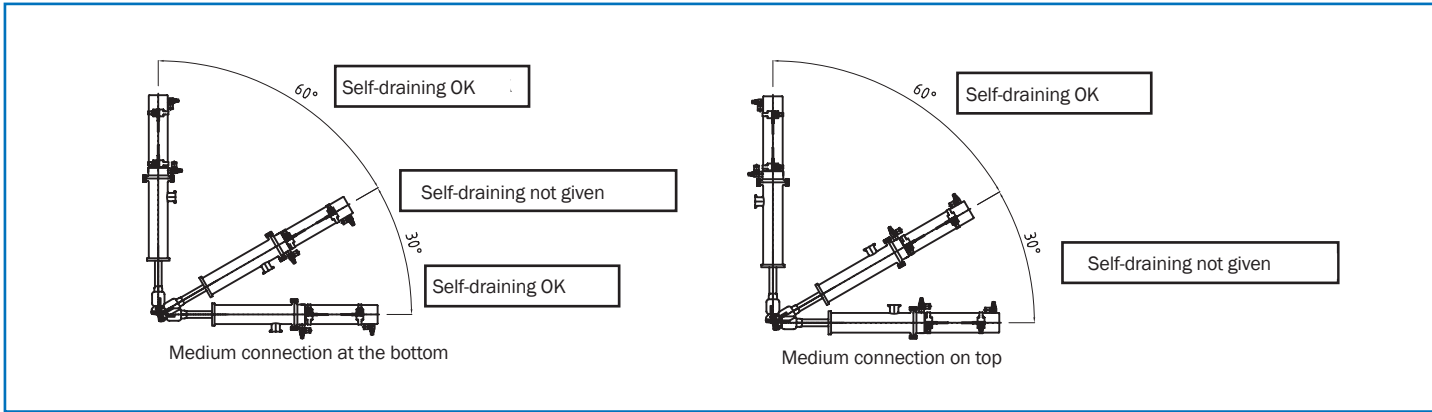
For the RTPS anti-rotation version, replace the 4th digit of the item number with an S. Surcharge on TANKO products® RTP series: 825,00 EUR.

Process Connections

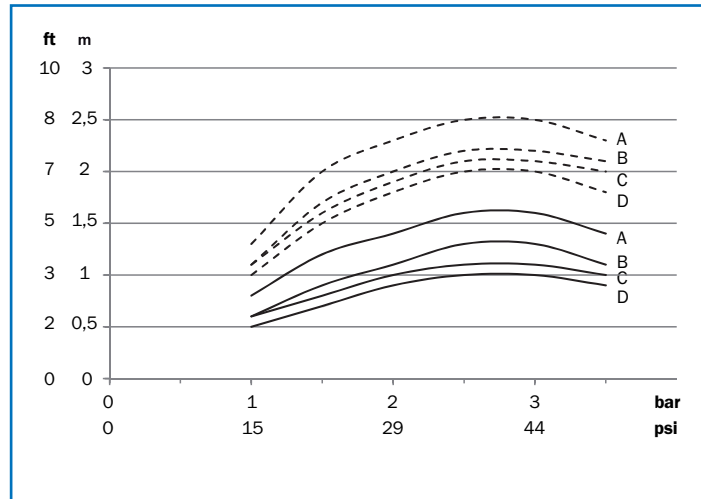
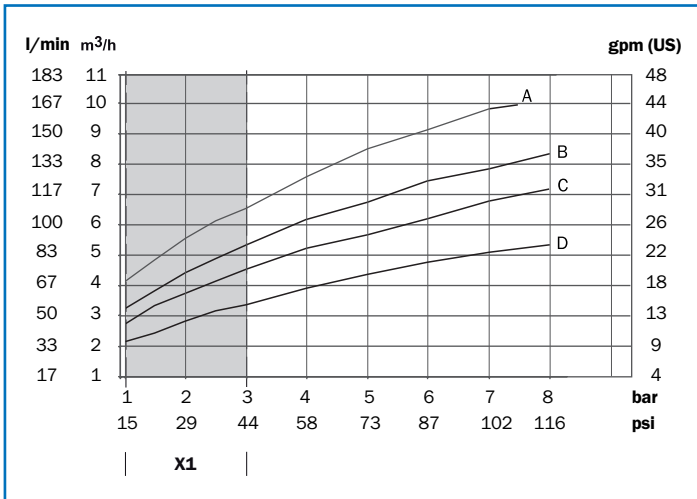


TANKO® RTP and TANKO® RTPS

Installation Advice regarding Self-draining



Consumption and Throw Length Data TANKO® RTP



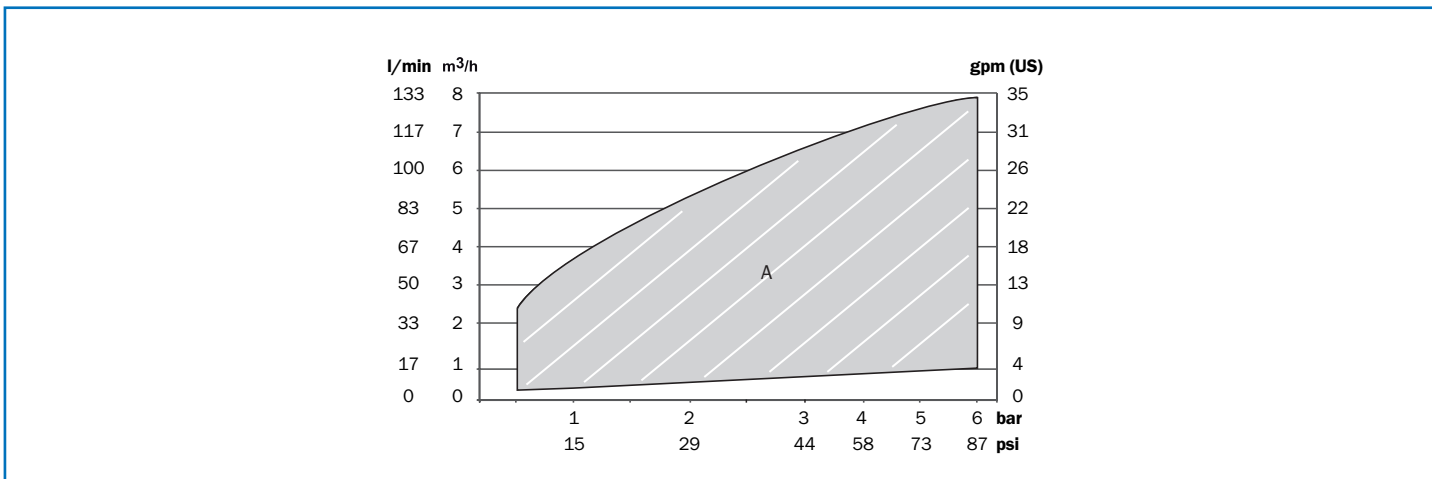
- A - Head type "CD" 270°
- B - Head type "CC" 270°
- C - Head type "CB" 270°
- D - Head type "CA" 270°

- A - Head type "CD" 270°
- B - Head type "CC" 270°
- C - Head type "CB" 270°
- D - Head type "CA" 270°

X1 - recommended operating pressure
optional: TANKO® S30 or TANKO® RB30

--- Wetting radius — Cleaning radius

Consumption Data TANKO® RTPS



A - Usable flow rate

TANKO® RTP and TANKO® RTPS

Spare Parts and Services

Replacement Spray Head for TANKO® RTPS, not drilled

Price is not valid! Refer to spare parts catalog

Article no.	Sealing material	Net price/EUR
6677 SOX 0602 0231	EPDM	*
6677 SOX 0602 0232	FKM	*
6677 SOX 0602 0233	FFKM	*
Spray drilling according to customer requirements / according to offer		*

Spare Parts and Wearing Parts Packages TANKO®RTP and TANKO®RTPS

Price is not valid! Refer to spare parts catalog

Article no.	Material	Description	Net price/EUR
66RP 100 1EA0 0000	EPDM	TANKO®RTP/RTPS wearing parts package EPDM	279,00
66RP 100 1VA0 0000	FKM	TANKO®RTP/RTPS wearing parts package FKM	334,00
66RP 100 1FA0 0000	FFKM	TANKO®RTP/RTPS wearing parts package FFKM	

Blind plugs and associated O-rings for Combination Vessel Connectors

Price is not valid! Refer to spare parts catalog

Article no.	Material	Description	Price/EUR
66R 000 000 4Z30	1.4435	Blind plug	*
66R 000 000 4Z80	2.4602	Blind plug	*
106 050 000 4501	EPDM	O-ring 45 x 3	*
106 050 000 4503	FKM	O-ring 45 x 3	*
106 050 000 4506	FFKM	O-ring 45 x 3	*

Screw connection for media connection/ clamp connection in accordance with DIN 32676

Price is not valid! Refer to spare parts catalog

Article no.	Material	Description	DN	Price/EUR
66R 000 000 0D30	1.4435	MA adapter	Clamp A 25 Series C 1"	*
111 100 072	1.4301 (304)	Heavy duty clamp	25 - 40 / 1" - 1.5"	*
105 140 000 2555	EPDM	Clamp seal	25	*
105 160 000 2555	FKM	Clamp seal	25	*
105 160 000 2554	PTFE	Clamp seal	25	*
105 150 000 2554	NBR	Clamp seal	25	*
105 150 000 2555	Silicon	Clamp seal	25	*
105 170 031 0001	EPDM	Clamp seal	1"	*
105 170 031 0002	FKM	Clamp seal	1"	*
105 170 031 0004	PTFE	Clamp seal	1"	*
105 170 031 0003	NBR	Clamp seal	1"	*
105 170 031 0000	Silicon	Clamp seal	1"	*

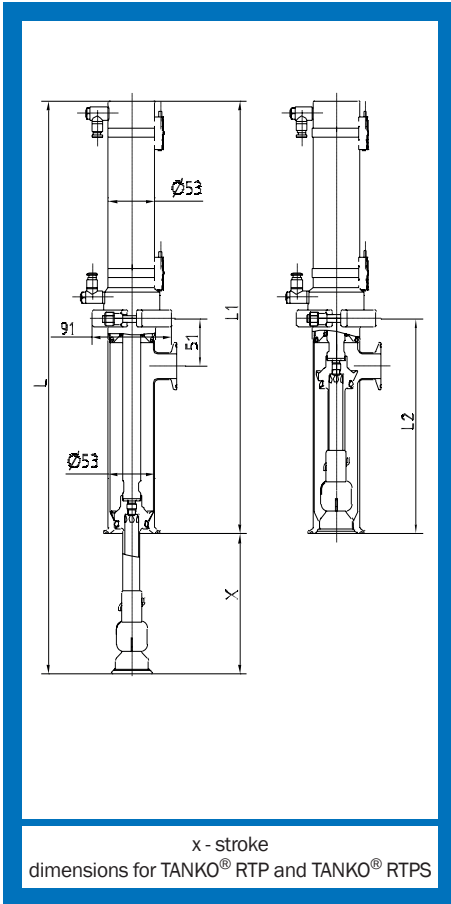
Measuring Report

Number of measuring points	Description	Net price/EUR
6	Roughness: Basic body	65,00
4	Roughness: Spray head TANKO® RPB-E	45,00
5	Δ-ferrite content TANKO® RTP hydro pipe	75,00
2	Δ-ferrite content TANKO® RTP spray head	30,00

Material Certificates

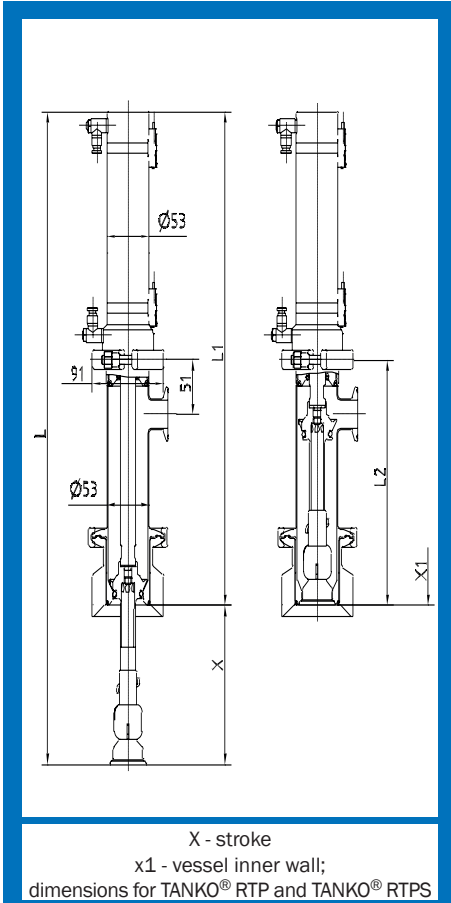
Description	Net price/EUR
WAZ 3.1 - EN10204 - TANKO® RTP /- RTPS	95,00

TANKO® RTP



TANKO® RTP Clamp Process Connection acc. to DIN 32676 (series C), 270° upwards

Stroke (x)	L	L1	L2	Spray head type	Sealing material	Pneumatic connection
65	358	294	146	CAS	EPDM	Ø 6
65	358	294	146	CAS	FKM	Ø 6
65	358	294	146	CAS	FFKM	Ø 6
100	463	363	180	CA	EPDM	Ø 6
100	463	363	180	CA	FKM	Ø 6
100	463	363	180	CA	FFKM	Ø 6
100	463	363	180	CB	EPDM	Ø 6
100	463	363	180	CB	FKM	Ø 6
100	463	363	180	CB	FFKM	Ø 6
100	463	363	180	CC	EPDM	Ø 6
100	463	363	180	CC	FKM	Ø 6
100	463	363	180	CC	FFKM	Ø 6
100	463	363	180	CD	EPDM	Ø 6
100	463	363	180	CD	FKM	Ø 6
100	463	363	180	CD	FFKM	Ø 6
150	613	463	230	CA	EPDM	Ø 6
150	613	463	230	CA	FKM	Ø 6
150	613	463	230	CA	FFKM	Ø 6
150	613	463	230	CB	EPDM	Ø 6
150	613	463	230	CB	FKM	Ø 6
150	613	463	230	CB	FFKM	Ø 6
150	613	463	230	CC	EPDM	Ø 6
150	613	463	230	CC	FKM	Ø 6
150	613	463	230	CC	FFKM	Ø 6
150	613	463	230	CD	EPDM	Ø 6
150	613	463	230	CD	FKM	Ø 6
150	613	463	230	CD	FFKM	Ø 6
250	913	663	330	CA	EPDM	Ø 6
250	913	663	330	CA	FKM	Ø 6
250	913	663	330	CA	FFKM	Ø 6
250	913	663	330	CB	EPDM	Ø 6
250	913	663	330	CB	FKM	Ø 6
250	913	663	330	CB	FFKM	Ø 6
250	913	663	330	CC	EPDM	Ø 6
250	913	663	330	CC	FKM	Ø 6
250	913	663	330	CC	FFKM	Ø 6
250	913	663	330	CD	EPDM	Ø 6
250	913	663	330	CD	FKM	Ø 6
250	913	663	330	CD	FFKM	Ø 6
500	1663	1163	580	CA	EPDM	Ø 6
500	1663	1163	580	CA	FKM	Ø 6
500	1663	1163	580	CA	FFKM	Ø 6
500	1663	1163	580	CB	EPDM	Ø 6
500	1663	1163	580	CB	FKM	Ø 6
500	1663	1163	580	CB	FFKM	Ø 6
500	1663	1163	580	CC	EPDM	Ø 6
500	1663	1163	580	CC	FKM	Ø 6
500	1663	1163	580	CC	FFKM	Ø 6
500	1663	1163	580	CD	EPDM	Ø 6
500	1663	1163	580	CD	FKM	Ø 6
500	1663	1163	580	CD	FFKM	Ø 6

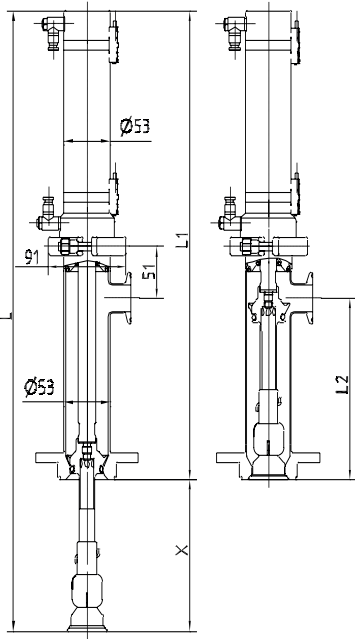


TANKO® RTP C3 Combination Adapter Process Connection, 270° upwards

Stroke (x)	L	L1	L2	Spray head type	Sealing material	Pneumatic connection
65	358	294	146	CAS	EPDM	Ø 6
65	358	294	146	CAS	FKM	Ø 6
65	358	294	146	CAS	FFKM	Ø 6
100	463	363	180	CA	EPDM	Ø 6
100	463	363	180	CA	FKM	Ø 6
100	463	363	180	CA	FFKM	Ø 6
100	463	363	180	CB	EPDM	Ø 6
100	463	363	180	CB	FKM	Ø 6
100	463	363	180	CB	FFKM	Ø 6
100	463	363	180	CC	EPDM	Ø 6
100	463	363	180	CC	FKM	Ø 6
100	463	363	180	CC	FFKM	Ø 6
100	463	363	180	CD	EPDM	Ø 6
100	463	363	180	CD	FKM	Ø 6
100	463	363	180	CD	FFKM	Ø 6
150	613	463	230	CA	EPDM	Ø 6
150	613	463	230	CA	FKM	Ø 6
150	613	463	230	CA	FFKM	Ø 6
150	613	463	230	CB	EPDM	Ø 6
150	613	463	230	CB	FKM	Ø 6
150	613	463	230	CB	FFKM	Ø 6
150	613	463	230	CC	EPDM	Ø 6
150	613	463	230	CC	FKM	Ø 6
150	613	463	230	CC	FFKM	Ø 6
150	613	463	230	CD	EPDM	Ø 6
150	613	463	230	CD	FKM	Ø 6
150	613	463	230	CD	FFKM	Ø 6
250	913	663	330	CA	EPDM	Ø 6
250	913	663	330	CA	FKM	Ø 6
250	913	663	330	CA	FFKM	Ø 6
250	913	663	330	CB	EPDM	Ø 6
250	913	663	330	CB	FKM	Ø 6
250	913	663	330	CB	FFKM	Ø 6
250	913	663	330	CC	EPDM	Ø 6
250	913	663	330	CC	FKM	Ø 6
250	913	663	330	CC	FFKM	Ø 6
250	913	663	330	CD	EPDM	Ø 6
250	913	663	330	CD	FKM	Ø 6
250	913	663	330	CD	FFKM	Ø 6
500	1663	1163	580	CA	EPDM	Ø 6
500	1663	1163	580	CA	FKM	Ø 6
500	1663	1163	580	CA	FFKM	Ø 6
500	1663	1163	580	CB	EPDM	Ø 6
500	1663	1163	580	CB	FKM	Ø 6
500	1663	1163	580	CB	FFKM	Ø 6
500	1663	1163	580	CC	EPDM	Ø 6
500	1663	1163	580	CC	FKM	Ø 6
500	1663	1163	580	CC	FFKM	Ø 6
500	1663	1163	580	CD	EPDM	Ø 6
500	1663	1163	580	CD	FKM	Ø 6
500	1663	1163	580	CD	FFKM	Ø 6

TANKO® RTP C3 Combination Adapter Process Connection, 270° upwards

3"					
Stroke (x)	Price/EUR	Article no.	Weight [kg] without Combination Vessel Connector	Weight [kg] Combination Vessel Connector + Clamp	
65	3.505,00	66R7 106 2P47 3110	3.2	0.83	
65	3.560,00	66R7 306 2P47 3110	3.2	0.83	
65	4.938,00	66R7 406 2P47 3110	3.2	0.83	
100	3.505,00	66R3 110 1P47 3110	3.5	1.9	
100	3.560,00	66R3 310 1P47 3110	3.5	1.9	
100	4.938,00	66R3 410 1P47 3110	3.5	1.9	
100	3.505,00	66R4 110 1P47 3110	3.5	1.9	
100	3.560,00	66R4 310 1P47 3110	3.5	1.9	
100	4.938,00	66R4 410 1P47 3110	3.5	1.9	
100	3.505,00	66R5 110 1P47 3110	3.5	1.9	
100	3.560,00	66R5 310 1P47 3110	3.5	1.9	
100	4.938,00	66R5 410 1P47 3110	3.5	1.9	
100	3.505,00	66R6 110 1P47 3110	3.5	1.9	
100	3.560,00	66R6 310 1P47 3110	3.5	1.9	
100	4.938,00	66R6 410 1P47 3110	3.5	1.9	
150	3.685,00	66R3 115 1P47 3110	3.8	1.9	
150	3.740,00	66R3 315 1P47 3110	3.8	1.9	
150	5.118,00	66R3 415 1P47 3110	3.8	1.9	
150	3.685,00	66R4 115 1P47 3110	3.8	1.9	
150	3.740,00	66R4 315 1P47 3110	3.8	1.9	
150	5.118,00	66R4 415 1P47 3110	3.8	1.9	
150	3.685,00	66R5 115 1P47 3110	3.8	1.9	
150	3.740,00	66R5 315 1P47 3110	3.8	1.9	
150	5.118,00	66R5 415 1P47 3110	3.8	1.9	
150	3.685,00	66R6 115 1P47 3110	3.8	1.9	
150	3.740,00	66R6 315 1P47 3110	3.8	1.9	
150	5.118,00	66R6 415 1P47 3110	3.8	1.9	
250	3.735,00	66R3 125 1P47 3110	4.5	1.9	
250	3.790,00	66R3 325 1P47 3110	4.5	1.9	
250	5.168,00	66R3 425 1P47 3110	4.5	1.9	
250	3.735,00	66R4 125 1P47 3110	4.5	1.9	
250	3.790,00	66R4 325 1P47 3110	4.5	1.9	
250	5.168,00	66R4 425 1P47 3110	4.5	1.9	
250	3.735,00	66R5 125 1P47 3110	4.5	1.9	
250	3.790,00	66R5 325 1P47 3110	4.5	1.9	
250	5.168,00	66R5 425 1P47 3110	4.5	1.9	
250	3.735,00	66R6 125 1P47 3110	4.5	1.9	
250	3.790,00	66R6 325 1P47 3110	4.5	1.9	
250	5.168,00	66R6 425 1P47 3110	4.5	1.9	
500	4.195,00	66R3 150 1P47 3110	6.3	1.9	
500	4.250,00	66R3 350 1P47 3110	6.3	1.9	
500	5.628,00	66R3 450 1P47 3110	6.3	1.9	
500	4.195,00	66R4 150 1P47 3110	6.3	1.9	
500	4.250,00	66R4 350 1P47 3110	6.3	1.9	
500	5.628,00	66R4 450 1P47 3110	6.3	1.9	
500	4.195,00	66R5 150 1P47 3110	6.3	1.9	
500	4.250,00	66R5 350 1P47 3110	6.3	1.9	
500	5.628,00	66R5 450 1P47 3110	6.3	1.9	
500	4.195,00	66R6 150 1P47 3110	6.3	1.9	
500	4.250,00	66R6 350 1P47 3110	6.3	1.9	
500	5.628,00	66R6 450 1P47 3110	6.3	1.9	



x - stroke
dimensions for TANKO® RTP and TANKO® RTPS

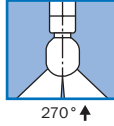
TANKO® RTP Process Connection for Bio@Control, 270° upwards

Stroke (x)	L	L1	L2	Spray head type	Sealing material	Pneumatic connection
65	358	294	146	CAS	EPDM	Ø 6
65	358	294	146	CAS	FKM	Ø 6
65	358	294	146	CAS	FFKM	Ø 6
100	463	363	180	CA	EPDM	Ø 6
100	463	363	180	CA	FKM	Ø 6
100	463	363	180	CA	FFKM	Ø 6
100	463	363	180	CB	EPDM	Ø 6
100	463	363	180	CB	FKM	Ø 6
100	463	363	180	CB	FFKM	Ø 6
100	463	363	180	CC	EPDM	Ø 6
100	463	363	180	CC	FKM	Ø 6
100	463	363	180	CC	FFKM	Ø 6
100	463	363	180	CD	EPDM	Ø 6
100	463	363	180	CD	FKM	Ø 6
100	463	363	180	CD	FFKM	Ø 6
150	613	463	230	CA	EPDM	Ø 6
150	613	463	230	CA	FKM	Ø 6
150	613	463	230	CA	FFKM	Ø 6
150	613	463	230	CB	EPDM	Ø 6
150	613	463	230	CB	FKM	Ø 6
150	613	463	230	CB	FFKM	Ø 6
150	613	463	230	CC	EPDM	Ø 6
150	613	463	230	CC	FKM	Ø 6
150	613	463	230	CC	FFKM	Ø 6
150	613	463	230	CD	EPDM	Ø 6
150	613	463	230	CD	FKM	Ø 6
150	613	463	230	CD	FFKM	Ø 6
250	913	663	330	CA	EPDM	Ø 6
250	913	663	330	CA	FKM	Ø 6
250	913	663	330	CA	FFKM	Ø 6
250	913	663	330	CB	EPDM	Ø 6
250	913	663	330	CB	FKM	Ø 6
250	913	663	330	CB	FFKM	Ø 6
250	913	663	330	CC	EPDM	Ø 6
250	913	663	330	CC	FKM	Ø 6
250	913	663	330	CC	FFKM	Ø 6
250	913	663	330	CD	EPDM	Ø 6
250	913	663	330	CD	FKM	Ø 6
250	913	663	330	CD	FFKM	Ø 6
500	1663	1163	580	CA	EPDM	Ø 6
500	1663	1163	580	CA	FKM	Ø 6
500	1663	1163	580	CA	FFKM	Ø 6
500	1663	1163	580	CB	EPDM	Ø 6
500	1663	1163	580	CB	FKM	Ø 6
500	1663	1163	580	CB	FFKM	Ø 6
500	1663	1163	580	CC	EPDM	Ø 6
500	1663	1163	580	CC	FKM	Ø 6
500	1663	1163	580	CC	FFKM	Ø 6
500	1663	1163	580	CD	EPDM	Ø 6
500	1663	1163	580	CD	FKM	Ø 6
500	1663	1163	580	CD	FFKM	Ø 6

TANKO® RTP Process Connection for Bio®Control, 270° upwards

3"			
Stroke (x)	Price/EUR	Article no.	Weight [kg]
65	3.605,00	66R7 106 2P56 3110	3.8
65	3.660,00	66R7 306 2P56 3110	3.8
65	5.038,00	66R7 406 2P56 3110	3.8
100	3.605,00	66R3 110 1P56 3110	4.0
100	3.660,00	66R3 310 1P56 3110	4.0
100	5.038,00	66R3 410 1P56 3110	4.0
100	3.605,00	66R4 110 1P56 3110	4.0
100	3.660,00	66R4 310 1P56 3110	4.0
100	5.038,00	66R4 410 1P56 3110	4.0
100	3.605,00	66R5 110 1P56 3110	4.0
100	3.660,00	66R5 310 1P56 3110	4.0
100	5.038,00	66R5 410 1P56 3110	4.0
100	3.605,00	66R6 110 1P56 3110	4.0
100	3.660,00	66R6 310 1P56 3110	4.0
100	5.038,00	66R6 410 1P56 3110	4.0
150	3.785,00	66R3 115 1P56 3110	4.3
150	3.840,00	66R3 315 1P56 3110	4.3
150	5.218,00	66R3 415 1P56 3110	4.3
150	3.785,00	66R4 115 1P56 3110	4.3
150	3.840,00	66R4 315 1P56 3110	4.3
150	5.218,00	66R4 415 1P56 3110	4.3
150	3.785,00	66R5 115 1P56 3110	4.3
150	3.840,00	66R5 315 1P56 3110	4.3
150	5.218,00	66R5 415 1P56 3110	4.3
150	3.785,00	66R6 115 1P56 3110	4.3
150	3.840,00	66R6 315 1P56 3110	4.3
150	5.218,00	66R6 415 1P56 3110	4.3
250	3.835,00	66R3 125 1P56 3110	5.0
250	3.890,00	66R3 325 1P56 3110	5.0
250	5.268,00	66R3 425 1P56 3110	5.0
250	3.835,00	66R4 125 1P56 3110	5.0
250	3.890,00	66R4 325 1P56 3110	5.0
250	5.268,00	66R4 425 1P56 3110	5.0
250	3.835,00	66R5 125 1P56 3110	5.0
250	3.890,00	66R5 325 1P56 3110	5.0
250	5.268,00	66R5 425 1P56 3110	5.0
250	3.835,00	66R6 125 1P56 3110	5.0
250	3.890,00	66R6 325 1P56 3110	5.0
250	5.268,00	66R6 425 1P56 3110	5.0
500	4.295,00	66R3 150 1P56 3110	6.8
500	4.350,00	66R3 350 1P56 3110	6.8
500	5.728,00	66R3 450 1P56 3110	6.8
500	4.295,00	66R4 150 1P56 3110	6.8
500	4.350,00	66R4 350 1P56 3110	6.8
500	5.728,00	66R4 450 1P56 3110	6.8
500	4.295,00	66R5 150 1P56 3110	6.8
500	4.350,00	66R5 350 1P56 3110	6.8
500	5.728,00	66R5 450 1P56 3110	6.8
500	4.295,00	66R6 150 1P56 3110	6.8
500	4.350,00	66R6 350 1P56 3110	6.8
500	5.728,00F	66R6 450 1P56 3110	6.8

TANKO® RTF



The TANKO® RTF is a retractor. A modified version of the TANKO® SF hydrodynamic spray head is used here.

The TANKO® RTF is available with stroke lengths of 100, 150, 250 and 500 mm and the type "WF" head. Due to the special form, the TANKO® RTF is approx. 50 mm longer than the TANKO® RT.

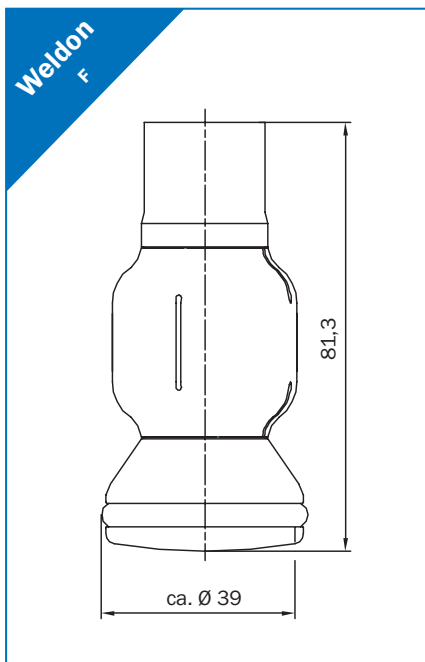
All consumption specifications are for orientation only.
The dimensions listed are in mm and are nominal dimensions.

Technical Parameters

Spray angle:	270° upwards
Materials:	In contact with medium: 1.4401 (316), 1.4430, 1.4435 TECA-PEEK, PTFE modified, EPDM, optional FKM Not in contact with medium: 1.4301 (304), PU, Al
Connections:	Medium connection: Clamp acc. DIN 32676 (series A) DN25, optional: MA adapter DN25 / 1" + seal ring + heavy duty clamp DIN 32676 for DN25; Process connection: Weldon connections, combination adapter C3
Operating pressure:	Cleaning medium: 1 - 3 bar / 14.5 - 43.5 psi * Pneumatic system: min. 5 bar / 72.5 psi , max. 8 bar / 116 psi
Working temperature:	Cleaning medium: max. 95°C / 203°F
Ambient temperature	inside the vessel. 140°C / 284°F, outside the vessel: max. 60°C / 140°F
Sterilization temperature:	121°C / 250°F for a short time (special conditions must be observed, see operating instructions)
Volume flow rate:	3.3 - 5.5 m³/h / 55 - 91.7 l/min / 14.5 - 24.2 gpm (US) *
Range:	Cleaning radius: max. 1.5 m / 4.9 ft Wetting radius: max. 2 m / 6.6 ft

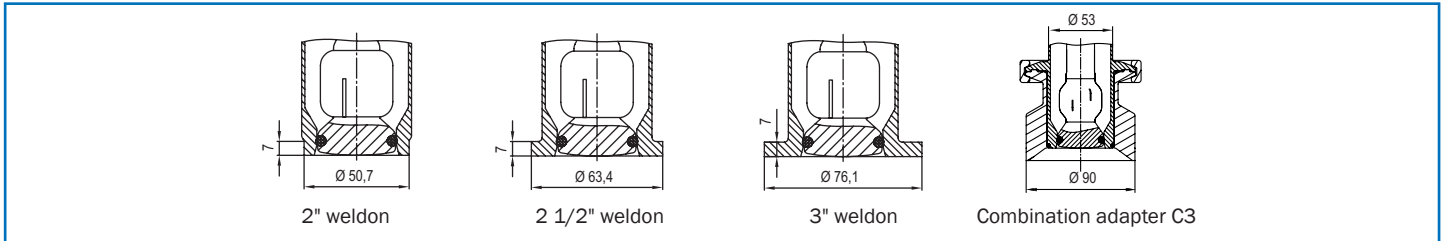
*Depending on model and cleaning medium

Spray Head Variants

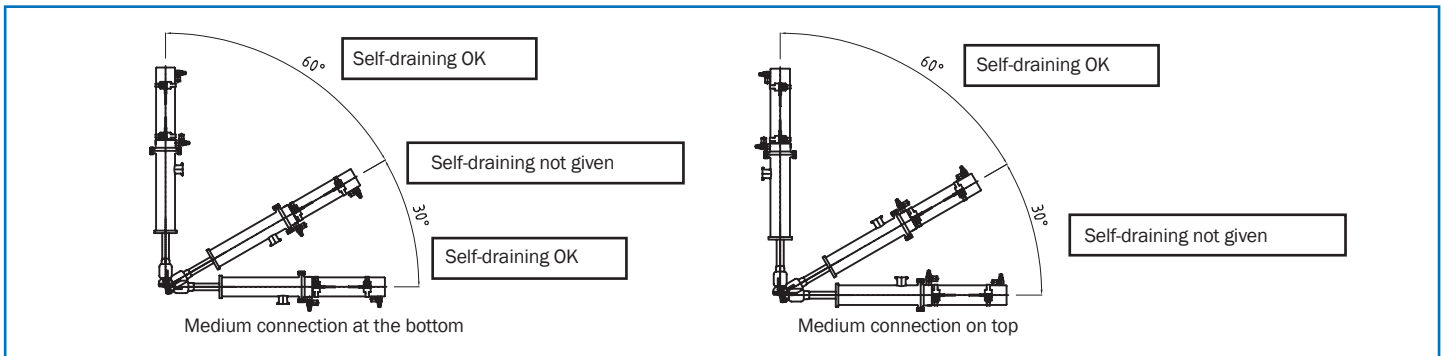


R = Cleaning holes as per customer specifications
E = Drain perforation

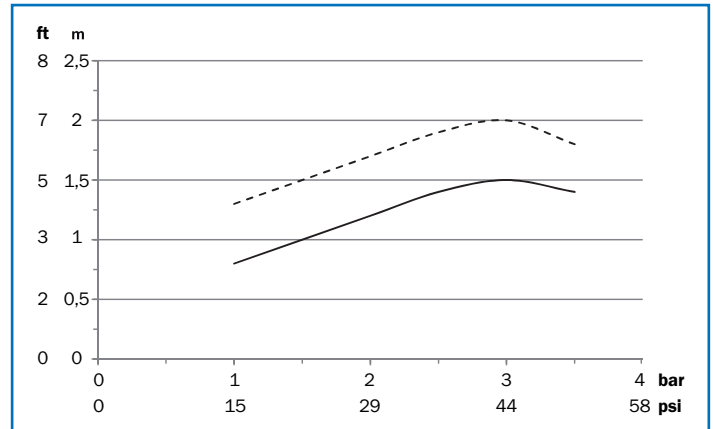
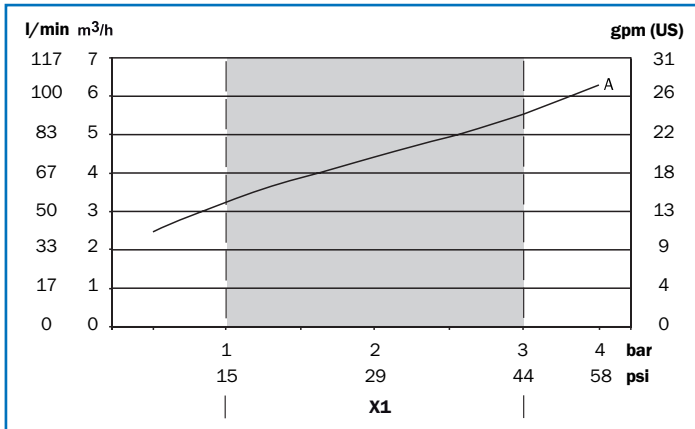
Process Connections



Installation Advice regarding Self-draining



Consumption Data and Throw Length Data



A – 270° weldon

— Wetting radius - - - Cleaning radius

X1 – recommended operating pressure

Spare Parts

Spare Parts and Wearing Parts Packages Price is not valid! Refer to spare parts catalog

Article no.	Description	Price/EUR
66RA1001VA00000	Wearing parts package EPDM	310.00

Replacement O-ring* for Sealing the Retractor Combination Vessel Connector in the TANKO® RTF

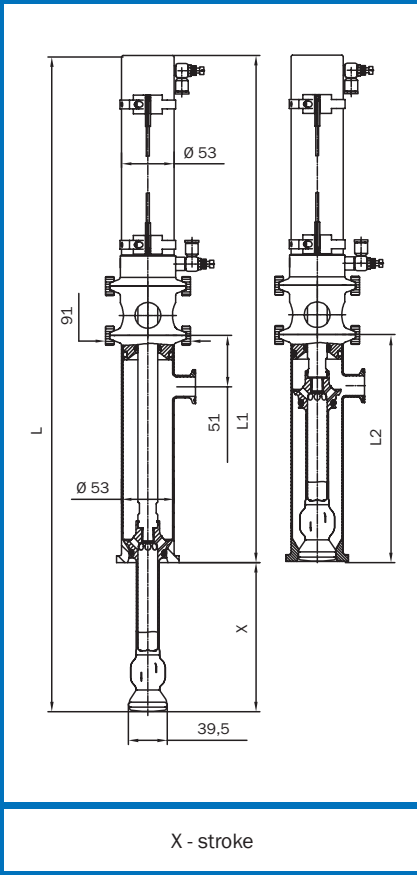
Article no.	Material	Designation	Net price/EUR
10605222BE70S1	EPDM	ORI d 37.69x3.53 DIN ISO 3601-1	*

*) Applies only to O-rings contacting the product

Price is not valid! Refer to spare parts catalog

TANKO® RTF Weldon Connection 270° upwards

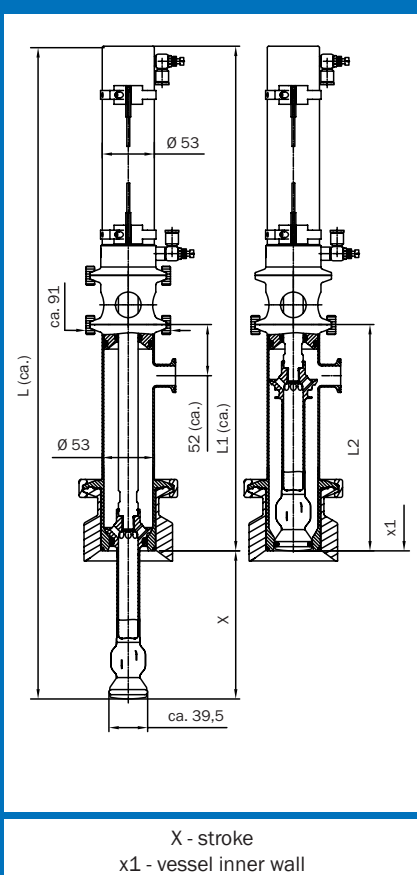
DN Inch	Stroke (x)	L	L1	L2	Spray head type	Sealing material	Pneumatic connection	Weight [kg]
2"	100	513	423	180	WF	EPDM	Ø 6	3.8
2"	150	663	513	230	WF	EPDM	Ø 6	4.6
2"	250	963	713	330	WF	EPDM	Ø 6	5.8
2"	500	1713	1213	580	WF	EPDM	Ø 6	8.3
2.5"	100	513	423	180	WF	EPDM	Ø 6	3.9
2.5"	150	663	513	230	WF	EPDM	Ø 6	4.6
2.5"	250	963	713	330	WF	EPDM	Ø 6	5.9
2.5"	500	1713	1213	580	WF	EPDM	Ø 6	8.4
3"	100	513	423	180	WF	EPDM	Ø 6	3.9
3"	150	663	513	230	WF	EPDM	Ø 6	4.7
3"	250	963	713	330	WF	EPDM	Ø 6	5.9
3"	500	1713	1213	580	WF	EPDM	Ø 6	8.5



X - stroke

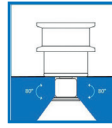
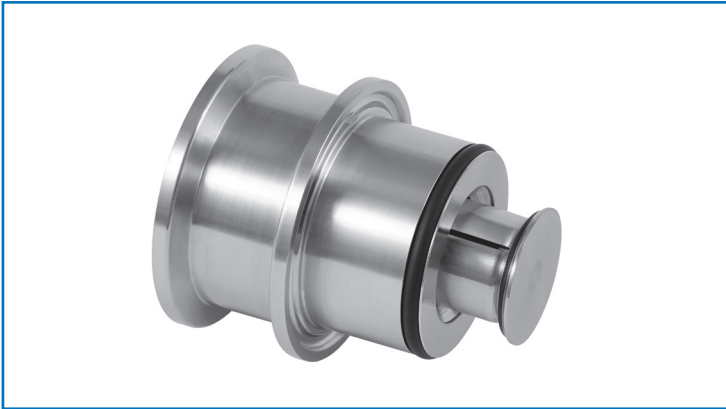
TANKO® RTF C3 Combination Adapter Process Connection, 270° upwards

DN Inch	Stroke (x)	L	L1	L2	Spray head type	Sealing material	Pneumatic connection	Weight [kg]
3"	100	513	423	180	WF	EPDM	Ø6	6.03
3"	150	663	513	230	WF	EPDM	Ø6	6.83
3"	250	963	713	330	WF	EPDM	Ø6	8.03
3"	500	1713	1213	580	WF	EPDM	Ø6	10.63



X - stroke
x1 - vessel inner wall

TANKO® RF40

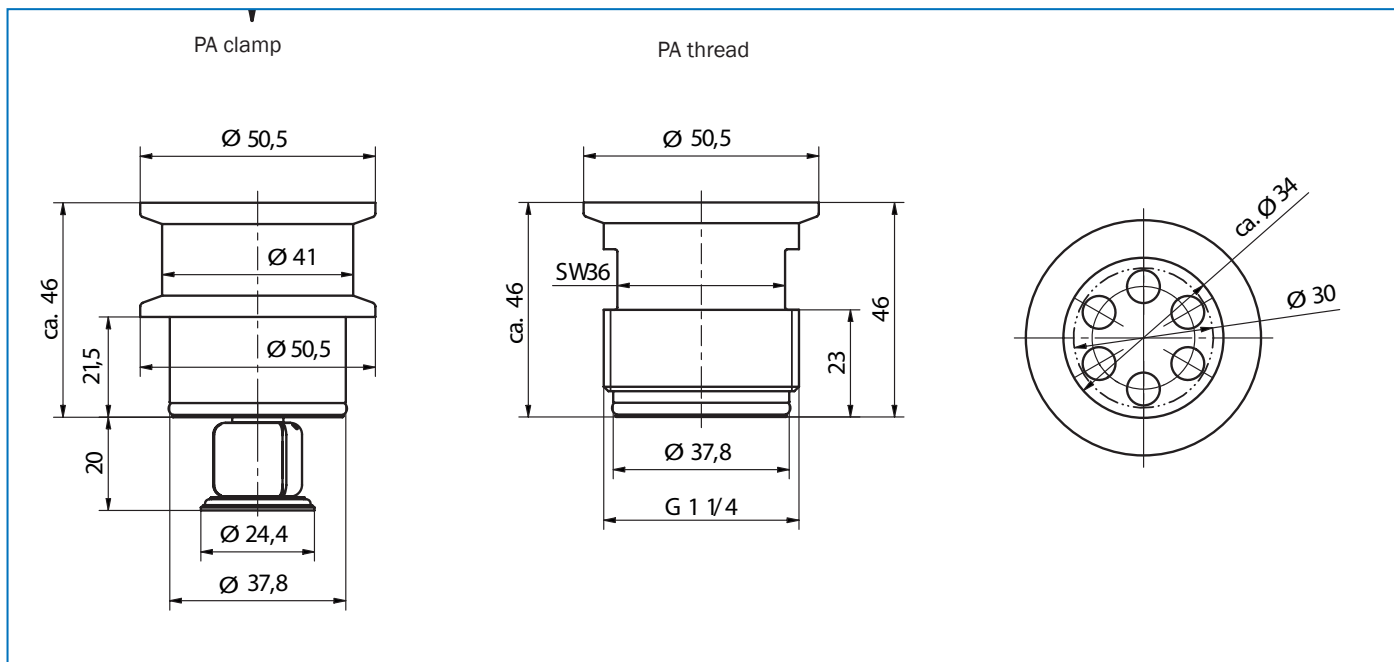


The TANKO® RF is a mini retractor system with a rotating spray head that is extended for the cleaning process with the help of the cleaning medium pressure and driven with the help of the spray head. After switching off the cleaning medium supply, the spray head retracts into its housing by spring force and closes tightly with the help of the O-ring. The device is used to clean the insides of pipelines, spray dryers or small containers where built-in components are not permitted. The TANKO® RF is available in two sizes TANKO® RF40 and TANKO® RF50.

All consumption specifications are for orientation only.
The dimensions listed are in mm and are nominal dimensions.

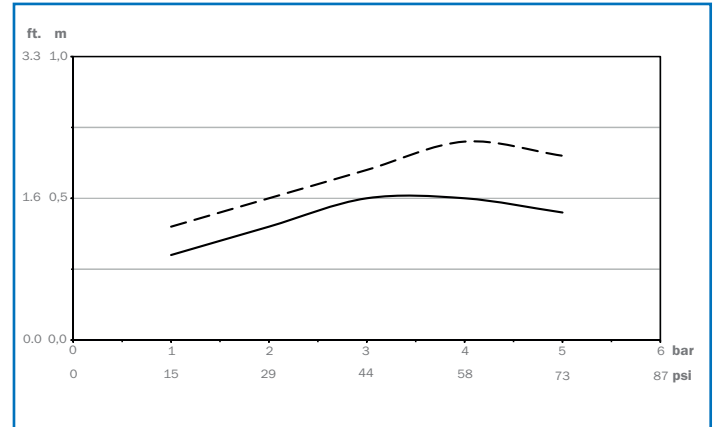
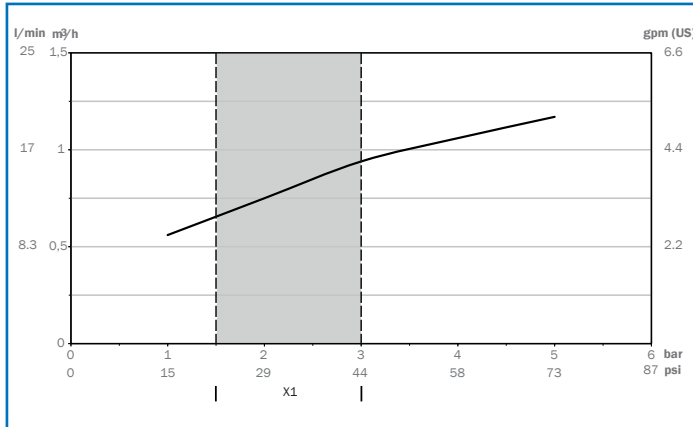
Technical Parameters

Spray angle:	80° upwards
Materials:	1.4404, 1.4430, 1.4401 (spring), PEEK, EPDM (optional FKM and FFKM)
Connections:	Medium connection: Clamp according to DIN 32676 DN40 series A/ 1 1/2" series C Process connection: Clamp connection thread connection
Operating pressure:	Cleaning medium: 1 - 6 bar / 14.5 - 87 psi g
Working temperature:	Cleaning medium: max. 95 °C / 203 °F
Volume flow rate:	0,5 - 1,3 m³/h / 8,3 - 21,7 l/min / 2,2 - 5,7 gpm (US)
Range:	0.3 - 0.7m / 1 - 2.3 ft
Weight:	approx. 0.43 kg
Installation position:	vertically (other positions possible with reduced service life of the wearing parts)
Bearings:	Plain bearing



TANKO® RF40

Consumption Data and Throw Length Data



X1 – recommended operating pressure

--- Wetting Radius — Cleaning Radius

Ordering Information

TANKO-RF40

Article no.	Connection	Description	Sealing material	Price/EUR
66RF14000CC20	Clamp	TANKO-RF40-C	EPDM	€ 470,00
66RF14000GC20	Thread	TANKO-RF40-G	EPDM	€ 470,00

Spare Parts and Services

Spare Parts **Price is not valid! Refer to spare parts catalog**

Article no.	Description	Price/EUR
66RF0400VTE00	Wear parts package	
66RF0400AC020	Weldon connectors for TANKO-RF40 clamp	€ 48,00
66RF0400AG020	Weldon connectors for TANKO-RF40 thread	€ 48,00

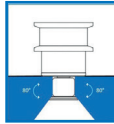
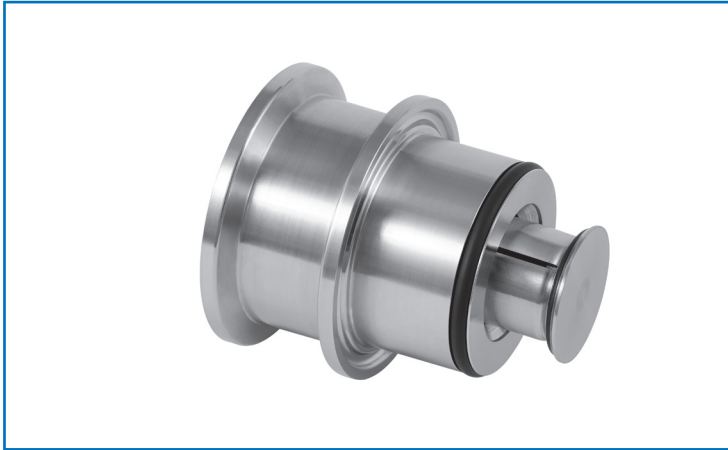
Material Certificate

Article no.	Description	Price/EUR
660RFZ31	3.1 with FDA&USP Class VI	€ 45,00

Tools

Article no.	Description	Price/EUR
664MW01050050	Assembly tool for wire locking pin E	*
664MWRF400120	Mounting bolt for TANKO-RF40	*
664MWRF400220	Mounting ring for TANKO-RF40	*

TANKO® RF50

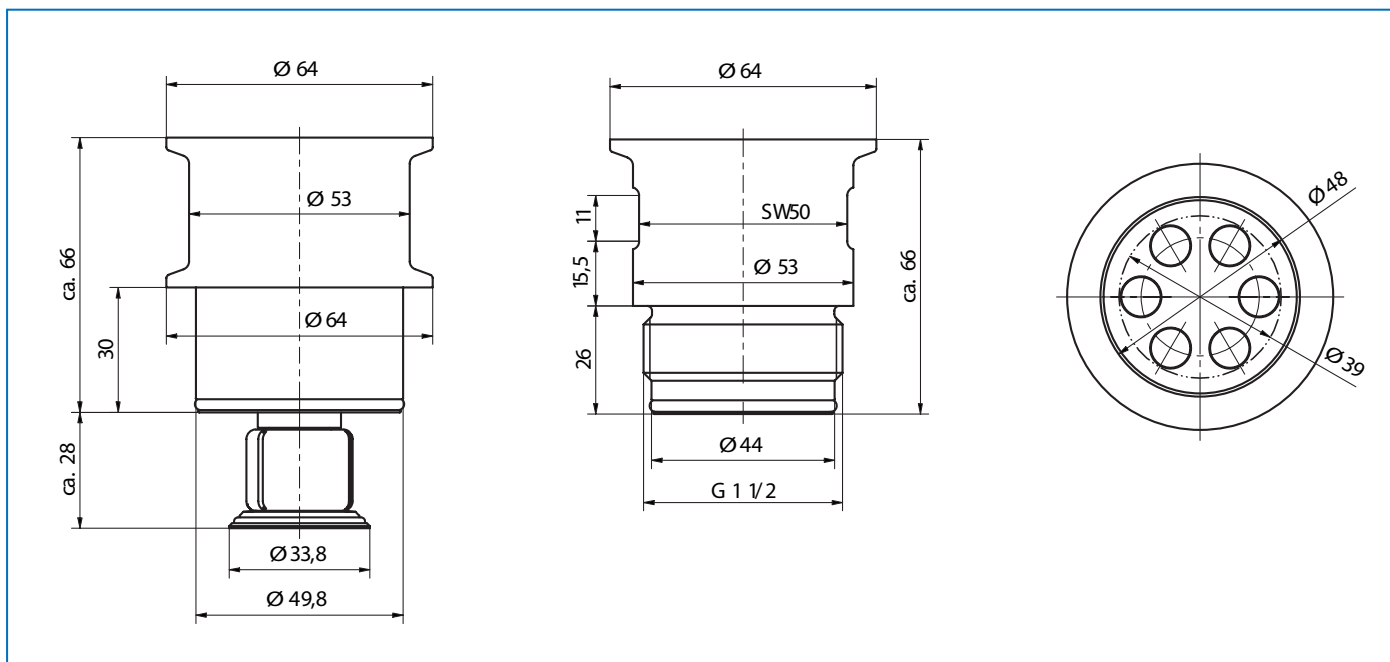


The TANKO® RF is a mini retractor system with a rotating spray head that is extended for the cleaning process with the help of the cleaning medium pressure and driven with the help of the spray head. After switching off the cleaning medium supply, the spray head retracts into its housing by spring force and closes tightly with the help of the O-ring. The device is used to clean the insides of pipelines, spray dryers or small containers where built-in components are not permitted. The TANKO® RF is available in two sizes TANKO® RF40 and TANKO® RF50.

All consumption specifications are for orientation only.
The dimensions listed are in mm and are nominal dimensions.

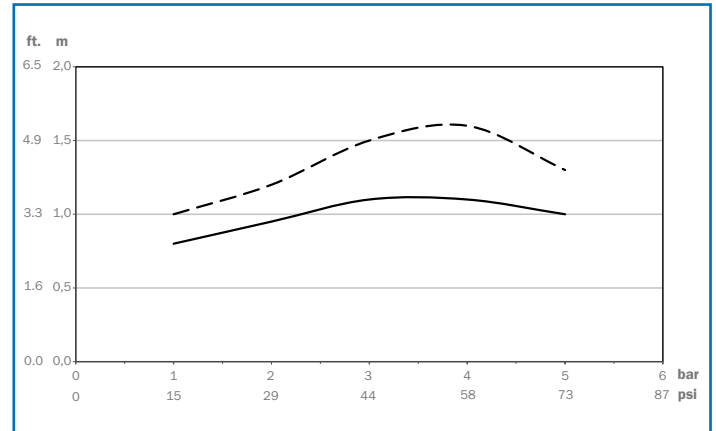
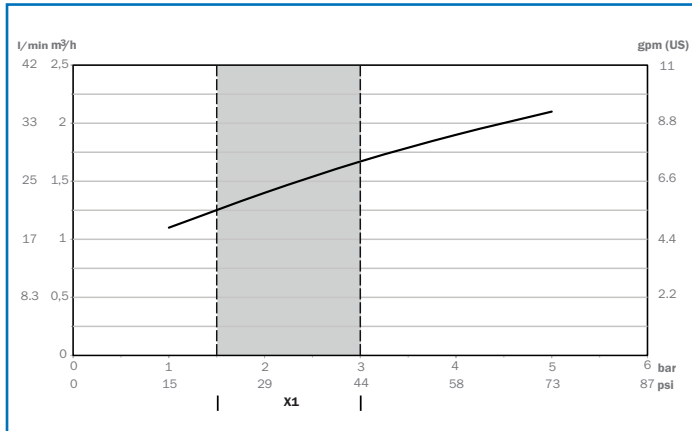
Technical Parameters

Spray angle:	80° upwards
Materials:	1.4404, 1.4430, 1.4401 (spring), PEEK, EPDM (optional FKM and FFKM)
Connections:	Medium connection: Clamp according to DIN 32676 DN50 series A/ 48.3 series B / 2" series C Process connection: Clamp connection thread connection
Operating pressure:	Cleaning medium: 1 - 6 bar / 14.5 - 87 psi g
Working temperature:	Cleaning medium: max. 95 °C / 203 °F
Volume flow rate:	1,7 - 3,9 m³/h / 28,3 - 65 l/min / 7,5 - 17,2 gpm (US)
Range:	0.8 - 1.3m / 2.6 - 4.3 ft
Weight:	approx. 0.9 kg
Installation position:	vertically (other positions possible with reduced service life of the wearing parts)
Bearings:	Plain bearing



TANKO® RF50

Consumption Data and Throw Length Data



X1 – recommended operating pressure

--- Wetting Radius — Cleaning Radius

Ordering Information

TANKO-RF50

Article no.	Connection	Description	Sealing material	Price/EUR
66RF15000CC20	Clamp DN50	TANKO-RF50-C	EPDM	€ 510,00
66RF15000GC20	1 1/2" BSP (male thread)	TANKO-RF50-G	EPDM	€ 510,00

Spare Parts and Services

Spare Parts

Price is not valid! Refer to spare parts catalog

Article no.	Description	Price/EUR
66RF0500VTE00	Wear parts package	
66RF0500AC020	Weldon connectors for TANKO-RF50 clamp	€ 56,00
66RF0500AG020	Weldon connectors for TANKO-RF50 thread	€ 56,00

Material Certificate

Article no.	Description	Price/EUR
660RFZ31	3.1 with FDA&USP Class VI	€ 45,00

Tools

Article no.	Description	Price/EUR
664MW01060050	Assembly tool for wire locking pin E	*
664MWR500120	Mounting bolt for TANKO-RF40	*
664MWR500220	Mounting ring for TANKO-RF50	*

TANKO® AN



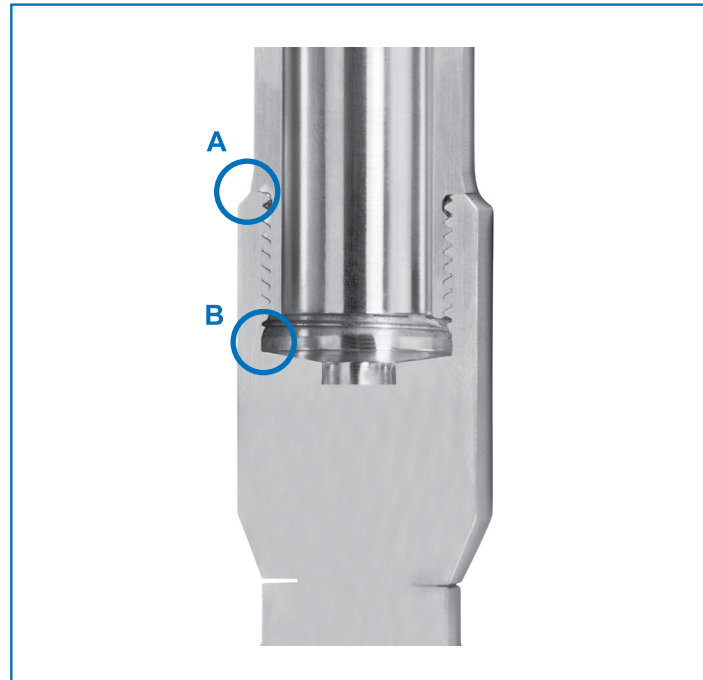
Orbital welds are certainly the best solution from a hygiene perspective. Attention must be paid to problems in cleaning the downpipe, and longer downpipes in particular require special solutions. The thread connection allows flexible connection of the cleaning device but the thread in particular carries cleanliness risks. A pipe with a male thread always results in "drip formation" at the transition between the thread and the cleaning device.

The weldon adapter shown in the illustration, in conjunction with a neat weld seam, is a good solution to this problem. The gap between the thread and the cleaning device is arranged horizontally. Outflowing cleaning medium cannot accumulate as droplets at this position but rather flow cleanly away over this edge. Various different versions for the combinations of pipe diameter and cleaning device are available. A selection can be made between the materials 1.4404 (316L), 1.4571 (316Ti), 1.4435 (316) and various Hastelloy variants, if necessary.

In conjunction with the listed vessel connection variants, this results in a neat solution for a wide range of cleaning devices. This makes it easy to reduce contamination at the connection points of the cleaning device. The cleaning process can also be easily optimized when changing the downpipe geometries (installation dimensions).

If you have any questions, we are happy to help you.
The dimensions listed are in mm and are nominal dimensions.

Hygienic Installation of Cleaning Devices



Standard - male thread installation

AWH - hygienic solution

A, B – Problem zones for self-cleaning

A – Droplet lip **B** - Turbulence zone for self-cleaning

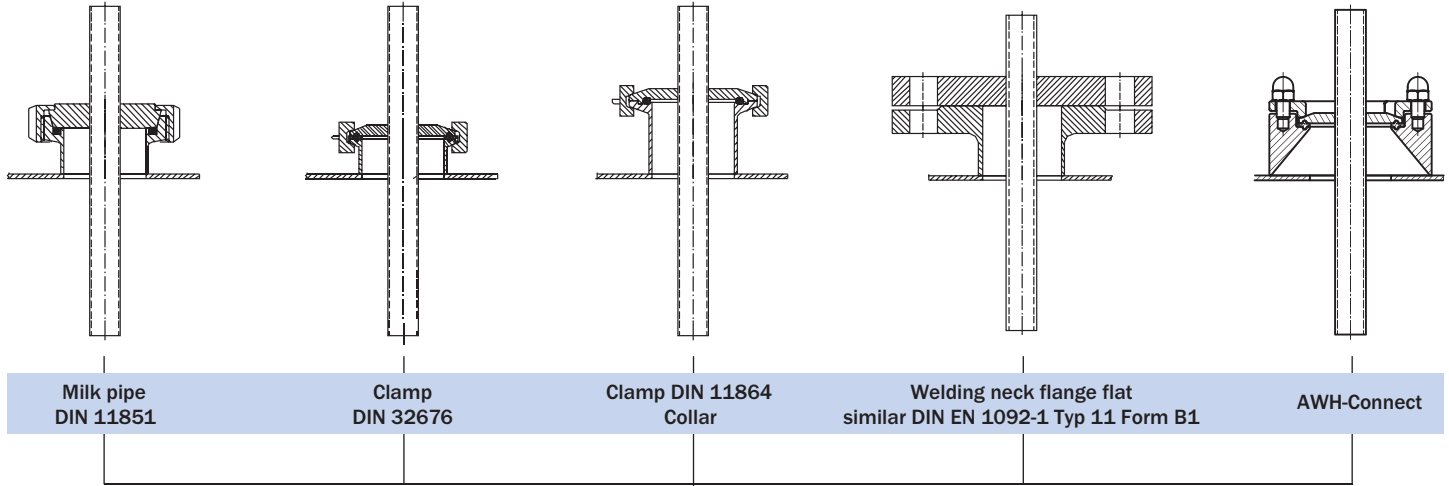
Services

Material Certificates

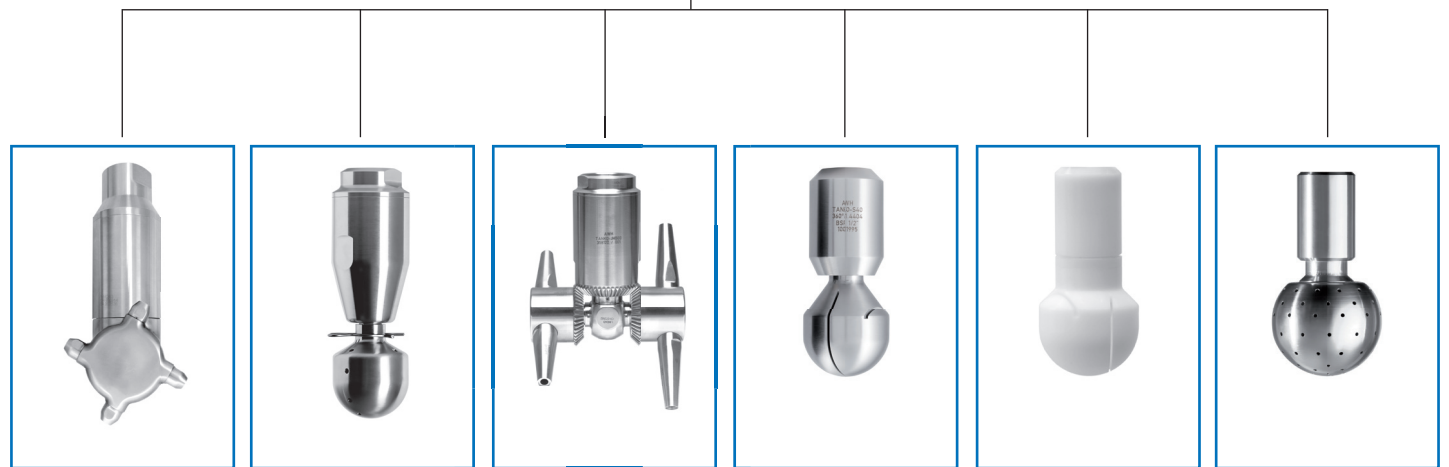
Description	Net price/EUR
WAZ 3.1 - EN10204 - TANKO® AN	15,00

Installation Options

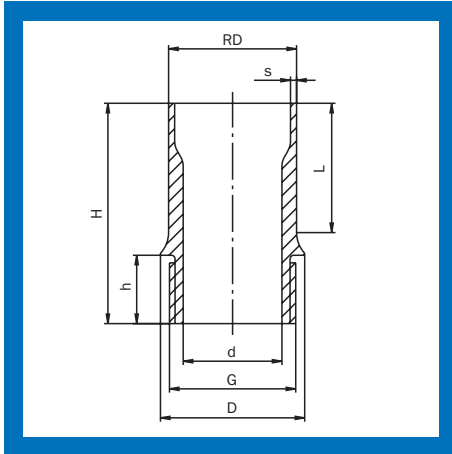
Available at short notice in various versions



Welding nipple

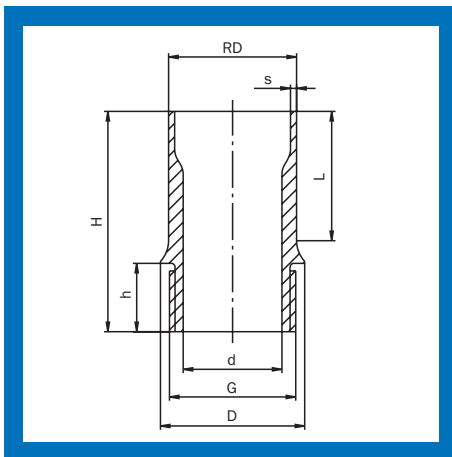


TANKO® MX TANKO® CP TANKO® JM TANKO® S TANKO® CR TANKO® RB



TANKO® AN Weldon Nipple (orbital) with BSP Thread

DN	DIN 11866	RD	s	G	D	d	H	h	L	Weight [kg]
6	Series A (DIN)	8	1	M5	8	3	33.5	3.8	27	0.009
10	Series A (DIN)	13	1.5	G 1/8"	14	6	36	6	27	0.022
8	Series B (ISO)	13.5	1.6	G 1/8"	14	6	36	6	27	0.024
8	Series C (ASME)	1/2" - 12.7	1.65	G 1/8"	14	6	36	6	27	0.022
10	similar to DIN 11850 (old series)	12	1.5	G 1/8"	14	6	36	6	27	0.022
10	Series A (DIN)	13	1.5	G 1/4"	15	9	39	9	27	0.019
8	Series B (ISO)	13.5	1.6	G 1/4"	15	9	39	9	27	0.021
8	Series C (ASME)	1/2" - 12.7	1.65	G 1/4"	15	9	39	9	27	0.018
15	Series A (DIN)	19	1.5	G 3/8"	19	12.5	39	9	27	0.037
10	Series B (ISO)	17.2	1.6	G 3/8"	19	12.5	39	9	27	0.030
15	Series B (ISO)	21.3	1.6	G 3/8"	19	12.5	39	9	27	0.047
15	Series C (ASME)	3/4" - 19.05	1.65	G 3/8"	19	12.5	39	9	27	0.038
15	similar to DIN 11850 (old series)	18	1.5	G 3/8"	19	12.5	39	9	27	0.033
15	Series A (DIN)	19	1.5	G 1/2"	23	15	44	12	27	0.041
15	Series B (ISO)	21.3	1.6	G 1/2"	23	15	44	12	27	0.053
15	Series C (ASME)	3/4" - 19.05	1.65	G 1/2"	23	15	44	12	27	0.042
25	Series A (DIN)	29	1.5	G 3/4"	30	21	55	15	35	0.103
20	Series B (ISO)	26.9	1.6	G 3/4"	30	21	55	15	35	0.085
25	Series B (ISO)	33.7	2	G 3/4"	30	21	55	15	34	0.152
20	Series C (ASME)	1" - 25.4	1.65	G 3/4"	30	21	55	15	35	0.073
25	similar to DIN 11850 (old series)	28	1.5	G 3/4"	30	21	55	15	35	0.103
32	Series A (DIN)	35	1.5	G 1"	38	26	58	18	34	0.155
25	Series B (ISO)	33.7	2	G 1"	38	26	58	18	34	0.148
32	Series C (ASME)	1 1/2" - 38.1	1.65	G 1"	38	26	58	18	34	0.189
40	Series A (DIN)	41	1.5	G 1 1/2"	52	38	60	20	28	0.183
50	Series A (DIN)	53	1.5	G 1 1/2"	52	41	60	20	35	0.277
40	Series B (ISO)	48.3	2	G 1 1/2"	52	41	60	20	35	0.215
40	Series C (ASME)	2" - 50.8	1.65	G 1 1/2"	52	41	60	20	35	0.250
50	similar to DIN 11850 (old series)	52	1.5	G 1 1/2"	52	41	60	20	35	0.250



TANKO® AN Weldon Nipple (orbital) with NPSM Thread

DN	DIN 11866	RD	s	G	D	d	H	h	L	Weight [kg]
8	Series B (ISO)	13.5	1.6	1/8"	14	6	36	6	27	0.024
8	Series C (ASME)	1/2" - 12.7	1.65	1/8"	14	6	36	6	27	0.022
8	Series B (ISO)	13.5	1.6	1/4"	15	9	36	6	27	0.021
8	Series C (ASME)	1/2" - 12.7	1.65	1/4"	15	9	36	6	27	0.018
10	Series B (ISO)	17.2	1.6	3/8"	19	12.5	39	9	27	0.030
15	Series C (ASME)	3/4" - 19.05	1.65	3/8"	19	12.5	39	9	27	0.038
15	Series B (ISO)	21.3	1.6	1/2"	23	15	44	12	27	0.053
15	Series C (ASME)	3/4" - 19.05	1.65	1/2"	23	15	44	12	27	0.042
20	Series B (ISO)	26.9	1.6	3/4"	30	21	55	15	35	0.085
20	Series C (ASME)	1" - 25.4	1.65	3/4"	30	21	55	15	35	0.073
25	Series B (ISO)	33.7	2	1"	38	26	58	18	34	0.148
32	Series C (ASME)	1 1/2" - 38.1	1.65	1"	38	26	58	18	34	0.189
40	Series B (ISO)	48.3	2	1 1/2"	52	41	60	20	35	0.215
40	Series C (ASME)	2" - 50.8	1.65	1 1/2"	52	41	60	20	35	0.249

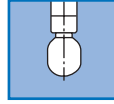
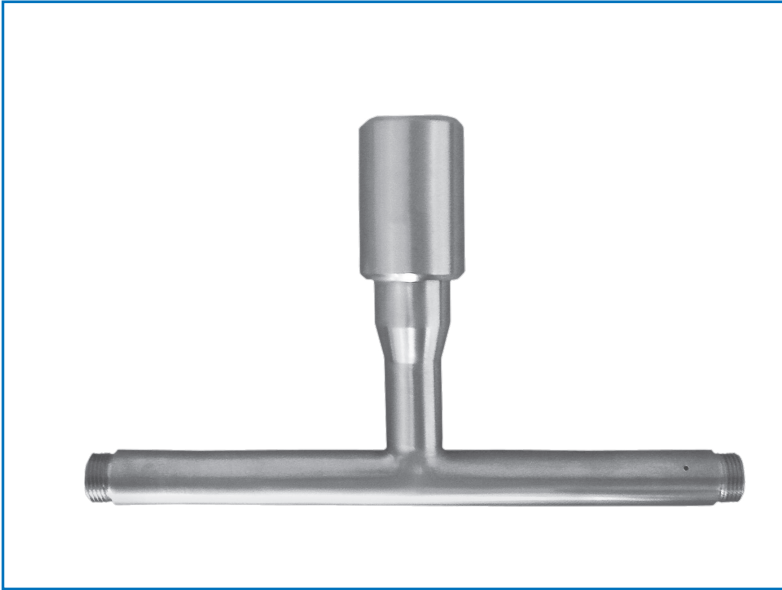
TANKO® AN Weldon Nipple (orbital) with BSP Thread

1.4404 (316L)			1.4435 (316L)		2.4602 (HC22)		
DN	Price/EUR	Article no.	Price/EUR	Article no.	Price/EUR	Article no.	
6			40,60	664 01 3801 0630			
10			25,60	664 01 4001 0630	92,10	664 01 4001 0680	
8			25,60	664 01 7501 0630	92,10	664 01 7501 0680	
8			25,60	664 01 8901 0630	92,10	664 01 8901 0680	
10			25,60	664 01 0174 0630	*	664 01 0174 0680	
10			25,60	664 01 7540 0630	*	664 01 7540 0680	
8			25,60	664 01 7575 0630	*	664 01 7575 0680	
8			25,60	664 01 7589 0630	*	664 01 7589 0680	
15			23,80	664 01 4101 0630	*	664 01 4101 0680	
10			23,80	664 01 7601 0630	*	664 01 7601 0680	
15			23,80	664 01 7701 0630	*	664 01 7701 0680	
15			23,80	664 01 9001 0630	*	664 01 9001 0680	
15			23,80	664 01 0376 0630	*	664 01 0376 0680	
15			22,90	664 01 4102 0630	*	664 01 4102 0680	
15			22,90	664 01 7702 0630	187,50	664 01 7702 0680	
15			22,90	664 01 9002 0630	209,60	664 01 9002 0680	
25	25,20	664 01 4301 0620	30,24	664 01 4301 0630	209,60	664 01 4301 0680	
20	25,20	664 01 7801 0620	30,24	664 01 7878 0630	209,60	664 01 7801 0680	
25	25,20	664 01 7902 0620			287,00	664 01 7902 0680	
20	25,20	664 01 9101 0620			*	664 01 9101 0680	
25	27,90	664 01 0578 0620					
32	36,10	664 01 4401 0620			*	664 01 4401 0680	
25	36,10	664 01 7901 0620			*	664 01 7901 0680	
32	36,10	664 01 9201 0620			*	664 01 9201 0680	
40	27,80	664 01 4081 0620			*	664 01 4081 0680	
50	27,80	664 01 4601 0620			*	664 01 4601 0680	
40	27,80	664 01 8101 0620			*	664 01 8101 0680	
40	27,80	664 01 9301 0620			*	664 01 9301 0680	
50	*	664 01 0881 0620					

TANKO® AN Weldon Nipple (orbital) with NPSM Thread

1.4435 (316L)			2.4602 (HC22)		
DN	Price/EUR	Article no.	Price/EUR	Article no.	
8	25,60	664 01 7574 0M30	92,10	664 01 7574 0M80	
8	25,60	664 01 8974 0M30	92,10	664 01 8974 0M80	
8	25,60	664 01 7575 0M30	*	664 01 7575 0M80	
8	25,60	664 01 7589 0M30	*	664 01 7589 0M80	
10	23,80	664 01 7676 0M30	*	664 01 7676 0M80	
15	23,80	664 01 9076 0M30	*	664 01 9076 0M80	
15	22,90	664 01 7777 0M30	*	664 01 7777 0M80	
15	22,90	664 01 9077 0M30	*	664 01 9077 0M80	
20	*	664 01 7878 0M30	209,60	664 01 7878 0M80	
20	*	664 01 9178 0M30	209,60	664 01 9178 0M80	
25	*	664 01 7979 0M30	*	664 01 7979 0M80	
32	*	664 01 9279 0M30	*	664 01 9279 0M80	
40	*	664 01 8181 0M30	*	664 01 8181 0M80	
40	*	664 01 9381 0M30	*	664 01 9381 0M80	

TANKO® R64T



360°

Der TANKO® R64T rotates on a vertical axis. In conjunction with two TANKO® S30 or TANKO® RB30 devices, even hard-to-reach areas can be optimally cleaned.

All consumption specifications are for orientation only.
The dimensions listed are in mm and are nominal dimensions.

Technical Parameters

Spray angle:	360°
Materials:	In contact with medium: 1.4435 (316L), ball bearing 1.4404 (316L)
Connections:	Medium connection: 3/4" BSP female thread Process connection: 3/8" BSP male thread for TANKO® S30 or TANKO® RB30
Operating pressure:	1.5 - 7 bar / 21.8 - 101.5 psi (Depending on the installed cleaning device!)
Working temperature:	Cleaning medium: max. 230 °C / 446 °F (Does not apply to ATEX versions!)
Ambient temperature:	Inside the vessel: max. 250 °C / 482 °F (Does not apply to ATEX versions!)
Volume flow rate:	2 x TANKO® S30 360° BSP: 4.9 - 7.2 m³/h / 81.7 - 120 l/min / 21.6 - 31.7 gpm (US) *
Range:	Cleaning radius and wetting radius depend on the version
Installation position:	vertically suspended, other positions on request
Bearings:	double spray ball bearings
Surface:	hand polished

*Depending on model and cleaning medium

Information as per ATEX (excerpt)

The cleaning devices satisfy the explosion protection requirements of Directive 2014/34/EU.

Current information on the type approval of the cleaning devices: TANKO® R64T

(G = Gas, D = Dust, X at the end of the identification number = Special conditions, see operating instructions)

⊕ II 1 G Ex h IIB T6 Ga

II 1 D Ex h IIIC T60 °C Da

TPS 20 ATEX 055073 009 X

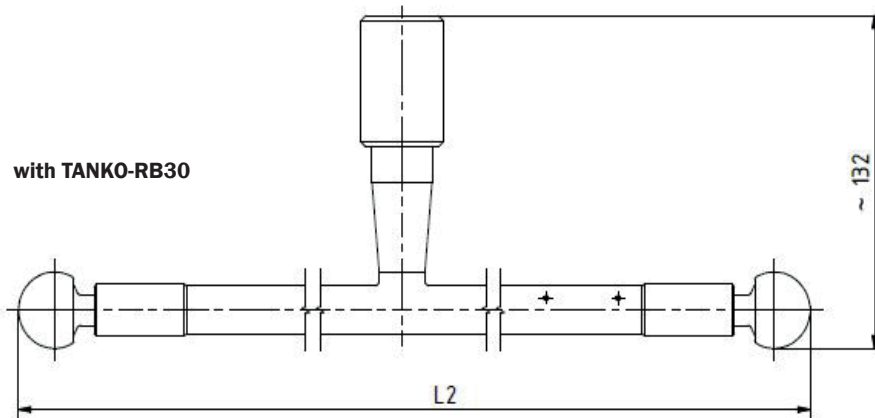
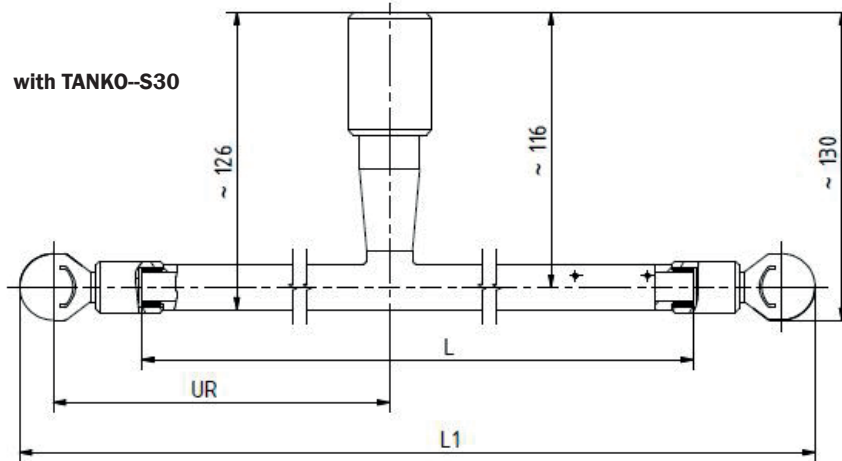
The technical data of the ATEX units can differ from the standard units and this data is provided in the respective operating and installation instructions.

Article no.: please take the respective article number and substitute the 4th digit from the front with an "X". E.g.: 66TX_____

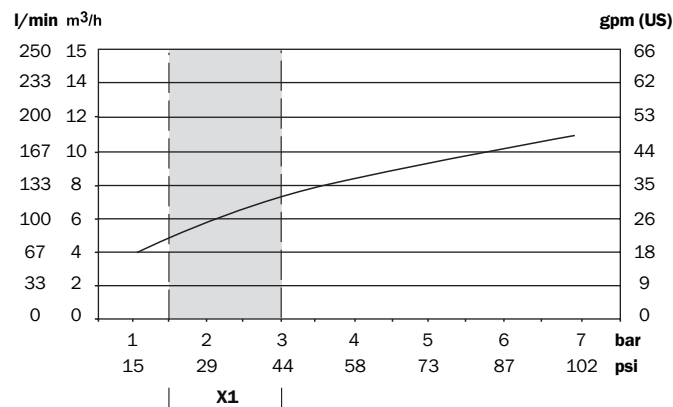
Surcharge on standard products from the TANKO® R64T series: 265.00 EUR.

TANKO® R64T Connection BSP 3/3 Standard

Configuration examples



Consumption TANKO® R64T with 2 x TANKO® S30 360°



X1 – recommended operating pressure

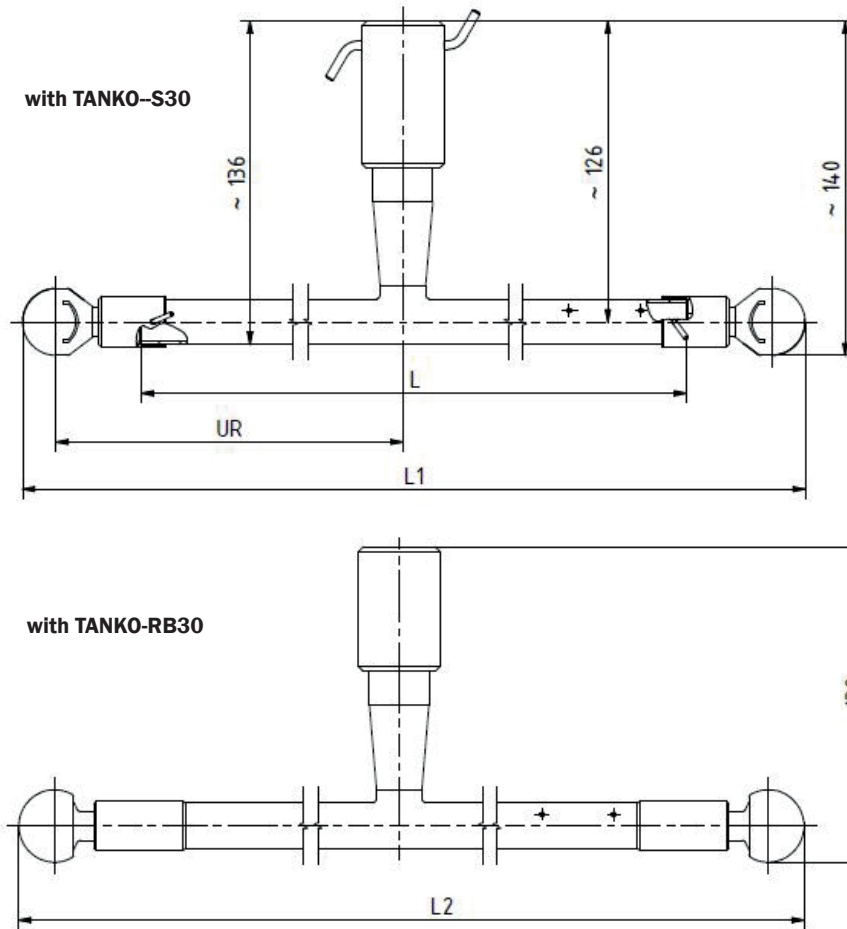
Ordering Information

TANKO® R64T							
Article no.	x [mm]	L [mm]	L1 [mm]	L2 [mm]	Weight without CD [g]	Price/EUR	
66T0 513 4131 3131 *	111	148	250	270	352	710.00	
66T0 513 4131 3132 *	201	328	430	450	473	710.00	
66T0 513 4131 3133 *	291	508	610	630	590	710.00	
66T0 513 4131 3134 *	366	658	760	780	688	710.00	
66T0 513 4131 3130 *	Length according to customer specifications					*	

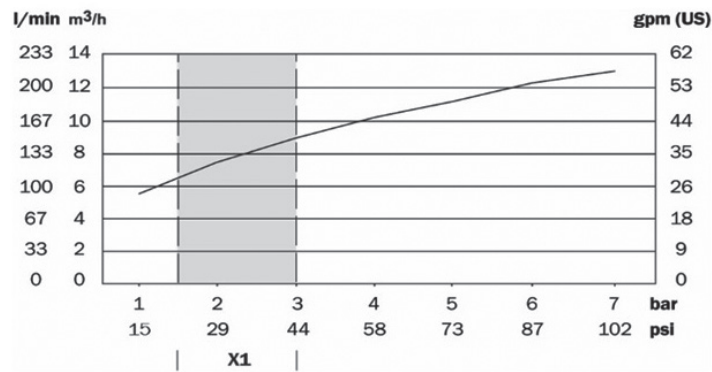
* TANKO® S30 not included in the scope of delivery

TANKO® R64T Clipon Connector for A29 Series

Configuration examples



Consumption data TANKO® R64T with C TANKO® S30



X1 – recommended operating pressure

Ordering Information

TANKO® R64T

Article no.	x [mm]	L [mm]	L1 [mm]	L2 [mm]	Weight without CD [g]	Price/EUR
66T0 512 4134 3131 *	111	148	250	278	365	710,00
66T0 512 4134 3132 *	201	328	430	458	484	710,00
66T0 512 4134 3133 *	291	508	610	638	604	710,00
66T0 512 4134 3134 *	366	658	760	788	703	710,00

* TANKO® S30 not included in the scope of delivery

Tank Cleaning Trolley JM-C1



The tank cleaning trolley allows mobile use of cleaning devices in a tank. The scope of delivery does not include the cleaning device.

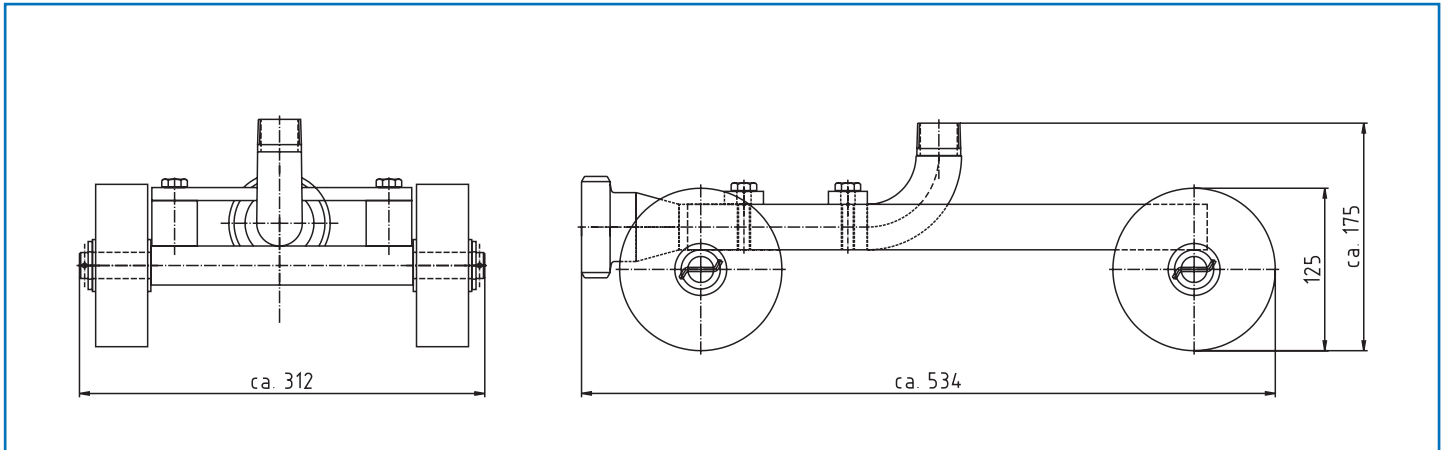
Picture similar

The dimensions listed are in mm and are nominal dimensions.

Technical Parameters

Materials:	1.4404 (316L), 1.4436, 1.4430, 1.4301 (304L)
Wheels:	PP, FDA-compliant
Supply connection:	DN50, male acc. DIN 11851
Jet cleaner connection:	1 1/2" BSP
Surface:	metal-bright or hand polished
Weight:	12.5 kg
Can be used for:	TANKO [®] JM500, TANKO [®] RB90, TANKO [®] S50

Dimensions



Ordering Information

Tank Cleaning Trolley JM-C1

Article no.	Surface	Price/EUR
666 10 1570 0120	metal-bright	680,00
666 10 1570 0121	hand polished	*

CIPGuard® (TCG-ZR)

EHEDG
CONFORM

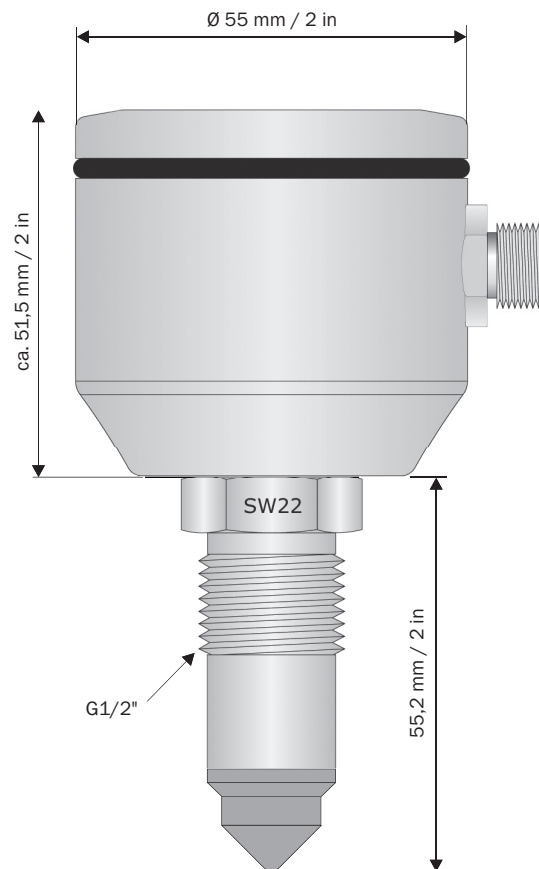
Sensor for monitoring slow-rotating 360° jet cleaners in vessels and tanks. The sensor is installed centrally, preferably on the roof of the tank, and is then integrated into the existing PLC system or queried in a mobile manner via a PC. The AWH-CIPGuard® is distinguished by a sturdy and compact design providing reliable real-time representation of the rotation of jet cleaners. The acquired measurements can be evaluated by a PLC via the digital PNP output signal (24VDC).

The necessary software can be downloaded free of charge from <http://www.awh.eu>.
The software displays the signal as three curves.

Technical Parameters

Materials:	G1/2" nozzle: 1.4404 (316L); sensor tip: PEEK; housing: 1.4301 (304)/1.4305; O-ring: EPDM
Ambient temperature:	-10 to +60 °C / 14 to 140 °F
Storage temperature:	-20 to +70 °C / -4 to 158 °F
Supply voltage:	V _b = 24 V +/-20% (18 to 32 VDC)
Current requirement:	< 20 mA
Output signal:	PNP; 50 mA; short-circuit protected; active
Rise delay time:	< 0.3 s
Reaction time:	approx. 30 s
Weight:	approx. 0.465 kg
Protection type:	IP 68
Operating pressure:	in vessel: max. 10 bar / 145 psi
Process temperature:	0 to 100 °C / 32 to 212 °F

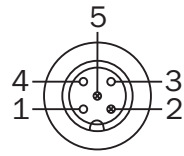
Dimensions



CIPGuard® (TCG-ZR)

Properties

Terminal connections:

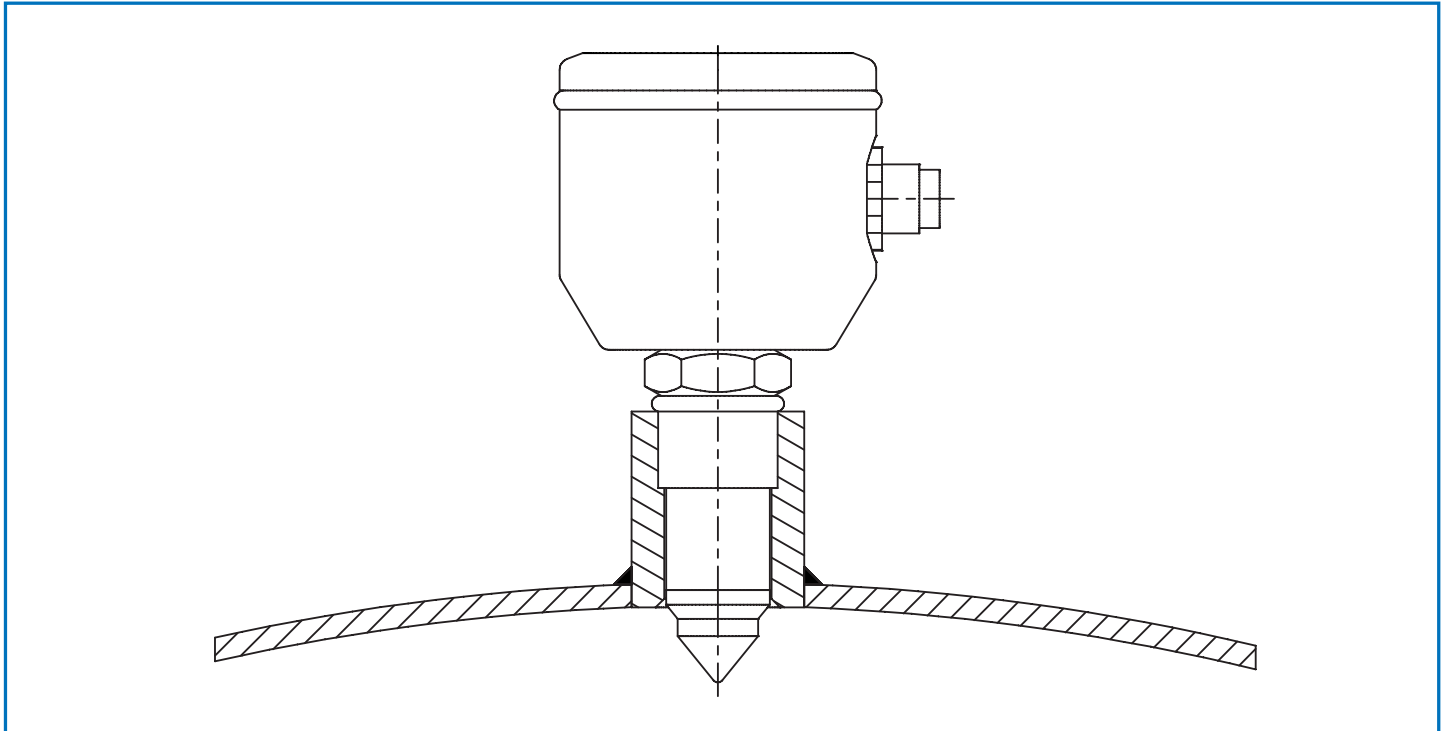


- 1 +VDC
- 2 Tx (only connectible via a prog. adapter)
- 3 GND
- 4 OUT/PNP
- 5 Rx (only connectible via a prog. adapter)

Brief Functional Description

- 1. Measurement:** Represents the jet intensity of the jet cleaner within the specified limits.
- 2. Dynamic:** Represents the curve progression proportional to the speed of rotation, meaning the higher the speed of rotation the higher the dynamic.
- 3. Output:** This curve compares the preset values from dynamic and measurement. The signal is positive when both curves lie within these limits, the value becomes negative and is displayed as an error if a value deviates for several seconds.

Installation example



CIPGuard® (TCG-ZR M12) with sleeve for the vessel wall

Ordering Information

CIPGuard® (TCG-ZR)

Article no.	Description	Price/EUR
68TCG-ZR-M12	TCG-ZR sensor	583,00
68TCG-CAS-PA	PC interface	203,00
68TCG-PE3-29	Weldon sleeve G1/2 inch hygienic	26,00
68TCG-ST-M12	Plugin adapter 8-pin M12	67,00
68TCG-NT-M12	Power pack on M12 plug, 2 m cable	65,00

Pliers

Pipe pliers with plastic jaws



For installation of the thread versions of

- TANKO® S30 and TANKO® S40
- TANKO® RB30 and TANKO® RB40

Pliers with plastic jaws



Specially for installation of the threaded versions of

- TANKO® S10 and TANKO® S20

Ordering Information

Pliers

Price is not valid! Refer to spare parts catalog

Article no.	Description	Price/EUR
07509	Pipe pliers with plastic jaws	54,20
07510	Replacement plastic jaws for pipe pliers	*
07506	Pliers with plastic jaws	28,50

Conversion Tables

Pressure	
bar	psi
1	14.5
2	29.0
3	43.5
4	58.0
5	72.5
6	87.0
7	101.5
8	116.0
9	130.5
10	145.0
11	159.5
12	174.0
13	188.5
14	203.1
15	217.6
16	232.1
17	246.6
18	261.1
19	275.6
20	290.1
21	304.6
22	319.1
23	333.6
24	348.1
25	362.6
26	377.1
27	391.6
28	406.1
29	420.6
30	435.1
31	449.6
32	464.1
33	478.6
34	493.1
35	507.6
36	522.1
37	536.6
38	551.1
39	565.6
40	580.2
41	594.7
42	609.2
43	623.7
44	638.2
45	652.7
46	667.2
47	681.7
48	696.2
49	710.7
50	725.2
51	739.7
52	754.2

Volume flow rate		
m ³ /h	gal/min (gpm, US)	l/min
1	4.4	16.7
2	8.8	33.3
3	13.2	50.0
4	17.6	66.7
5	22.0	83.3
6	26.4	100.0
7	30.8	116.7
8	35.2	133.3
9	39.6	150.0
10	44.0	166.7
11	48.4	183.3
12	52.8	200.0
13	57.2	216.7
14	61.6	233.3
15	66.1	250.0
16	70.5	266.7
17	74.9	283.3
18	79.3	300.0
19	83.7	316.7
20	88.1	333.3
21	92.5	350.0
22	96.9	366.7
23	101.3	383.3
24	105.7	400.0
25	110.1	416.7
26	114.5	433.3
27	118.9	450.0
28	123.3	466.7
29	127.7	483.3
30	132.1	500.0
31	136.5	516.7
32	140.9	533.3
33	145.3	550.0
34	149.7	566.7
35	154.1	583.3
36	158.5	600.0
37	162.9	616.7
38	167.3	633.3
39	171.7	650.0
40	176.1	666.7
41	180.5	683.3
42	184.9	700.0
43	189.3	716.7
44	193.7	733.3
45	198.2	750.0
46	202.6	766.7
47	207.0	783.3
48	211.4	800.0
49	215.8	816.7
50	220.2	833.3
51	224.6	850.0
52	229.0	866.7



Armaturenwerk Hötensleben GmbH
 Schulstr. 5 - 6
 D-39393 Hötensleben, Germany

Tel: +49 39405 92-0
 Fax: +49 39405 92-111
 E-mail: info@awh.eu
 http://www.awh.eu

NEUMO Ehrenberg Group

